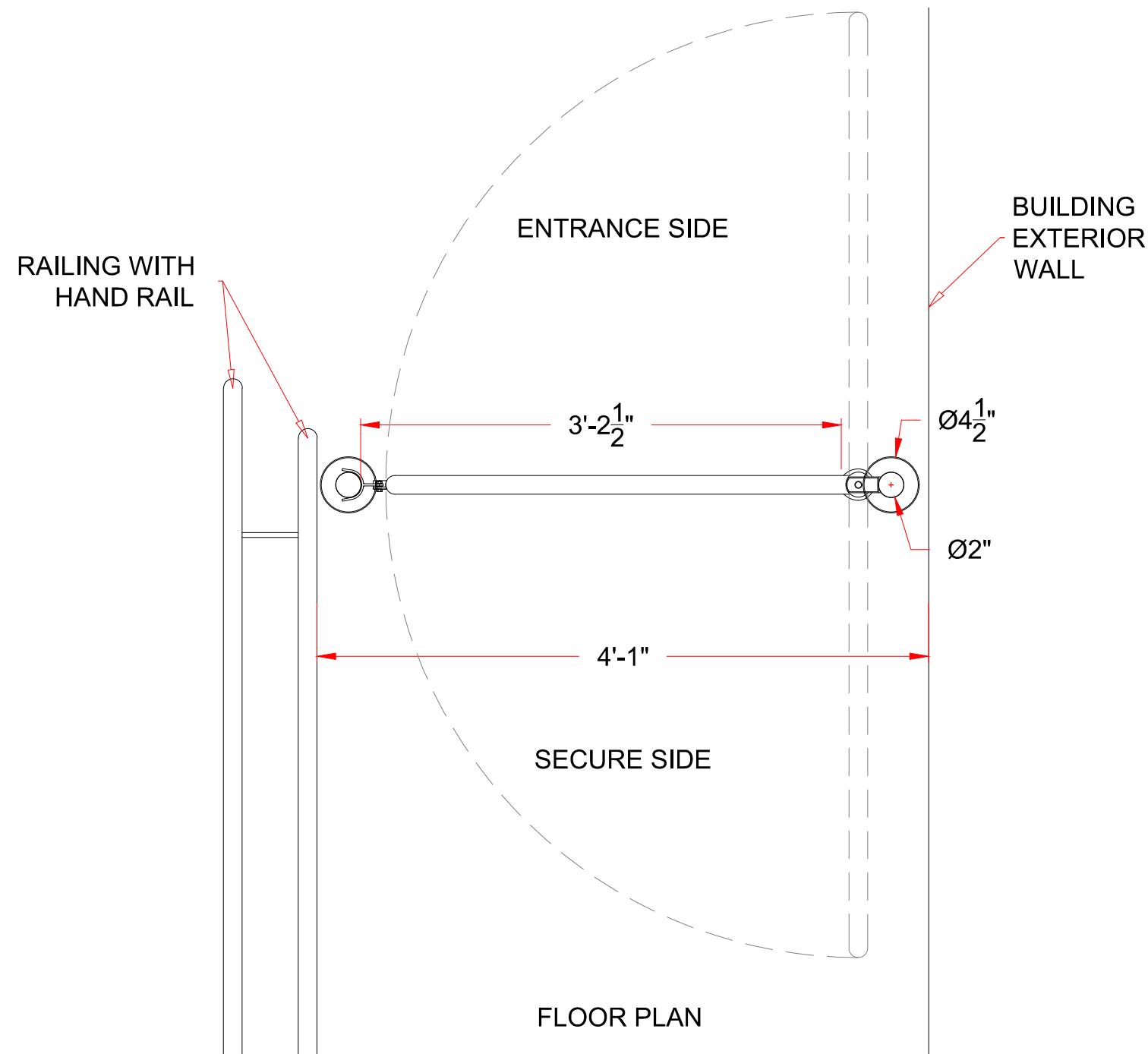
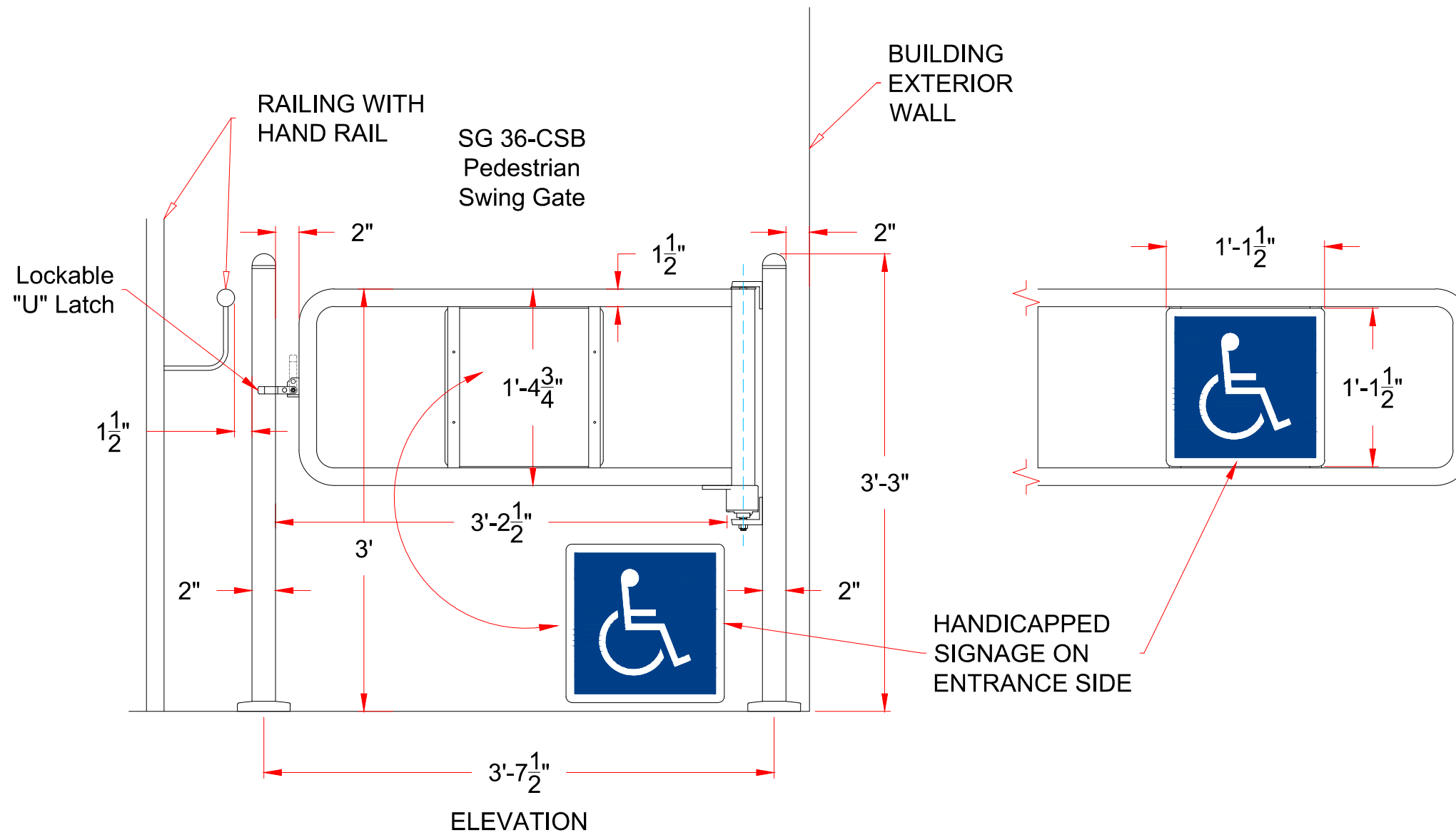


* DIMENSIONS MAY VARY IN ACTUAL INSTALLATION - FABRICATION CHANGES RESERVED *



Authorized Signature: _____ DATE: ___ / ___ / ___

| FIRST DRAWN | BY |
|-------------|-----|
| 04/17/17 | CJC |
| REVISED | BY |
| 05/29/17 | CJC |
| 06/02/17 | CJC |
| 06/07/17 | CJC |
| | |
| | |
| | |

www.TURNSTILES.us
 8641 South Warhawk Rd. Conifer, CO 80433
 Patrick McAllister Tel: 303-670-1099

| EQUIPMENT LOCATION DETAIL | |
|-----------------------------------------------------|-----------------------------------|
| Uncle Ikes SG 36-CSB WAIST HIGH SWING GATE | |
| DWG | 060717 UNCLE IKES ELD REV C |
| DATE | 06 / 07 / 17 |
| SCALE = | < > |
| SHEET - 1 OF 1 | |