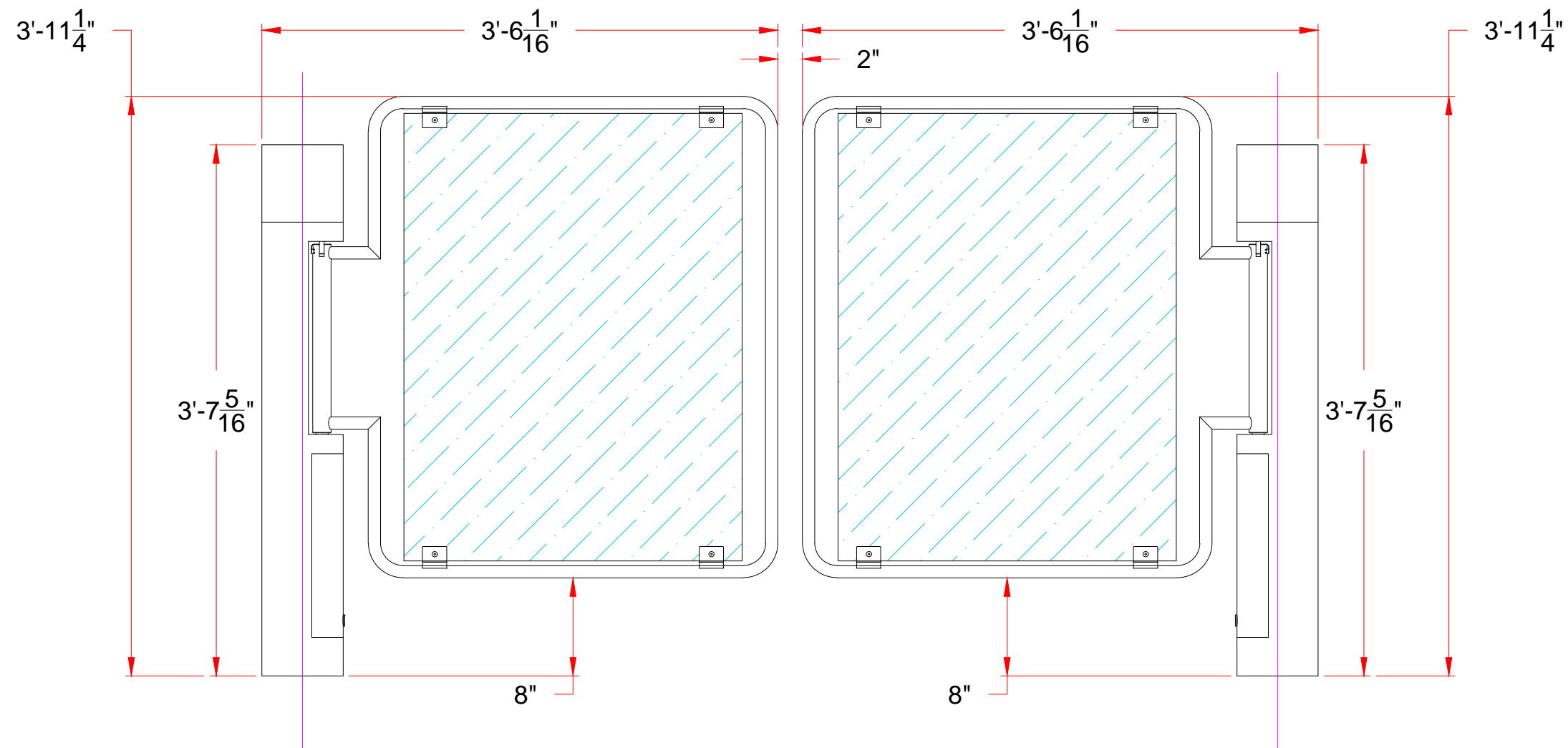
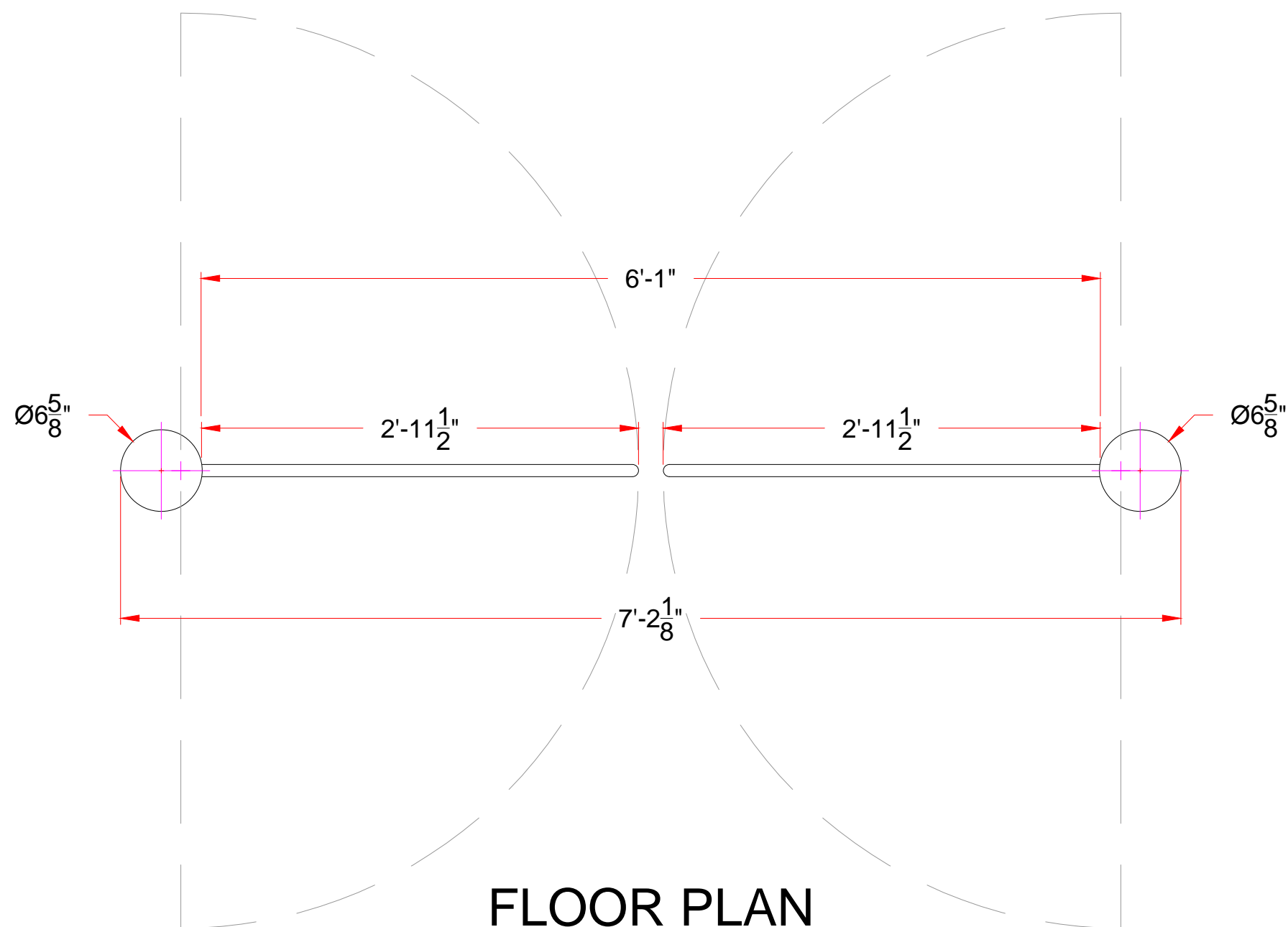


* DIMENSIONS MAY VARY IN ACTUAL INSTALLATION - FABRICATION CHANGES RESERVED *



ELEVATION



FLOOR PLAN

AUTHORIZED SIGNATURE: _____

DATE: ____ / ____ / ____

FIRST DRAWN	BY
07/27/17	CJC
REVISED	BY

www.TURNSTILES.us

8641 South Warhawk Rd. Conifer, CO 80433

Patrick McAllister Tel: 303-670-1099

Equipment Location Detail

PHILLIPS 66
CPW-321AS01
Optical Glass Swing Gate

DWG 072717
PHILLIPS 66
ELD

DATE 07 / 27 / 17

SCALE = < >

SHEET - 1 OF 1