

1

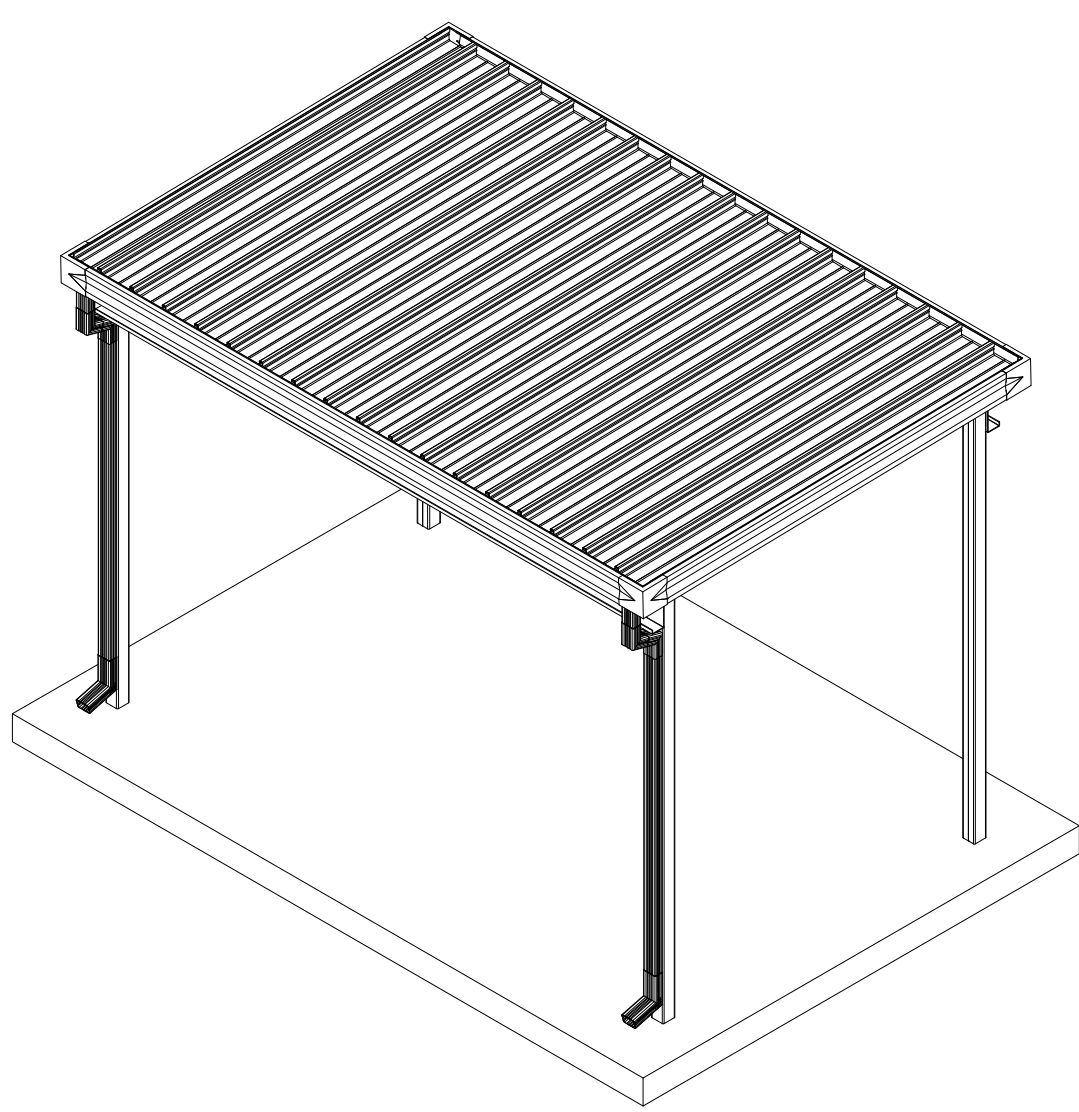
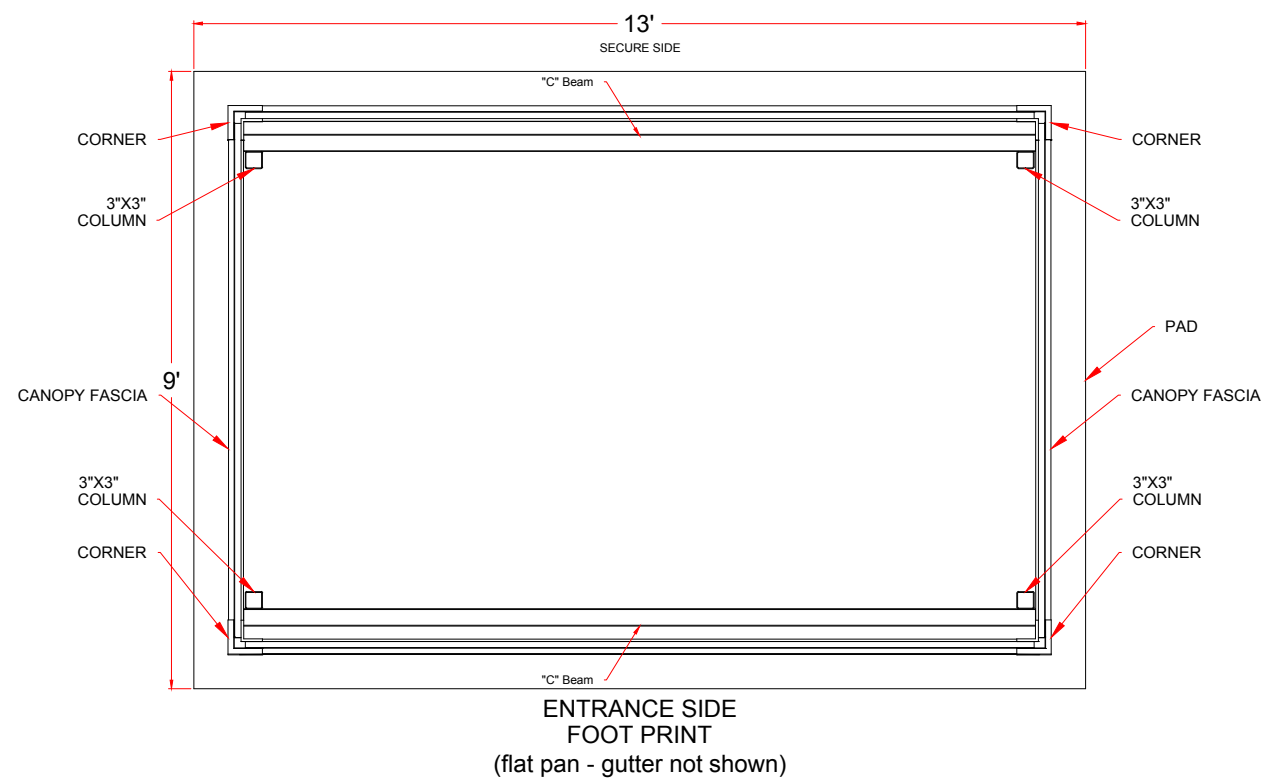
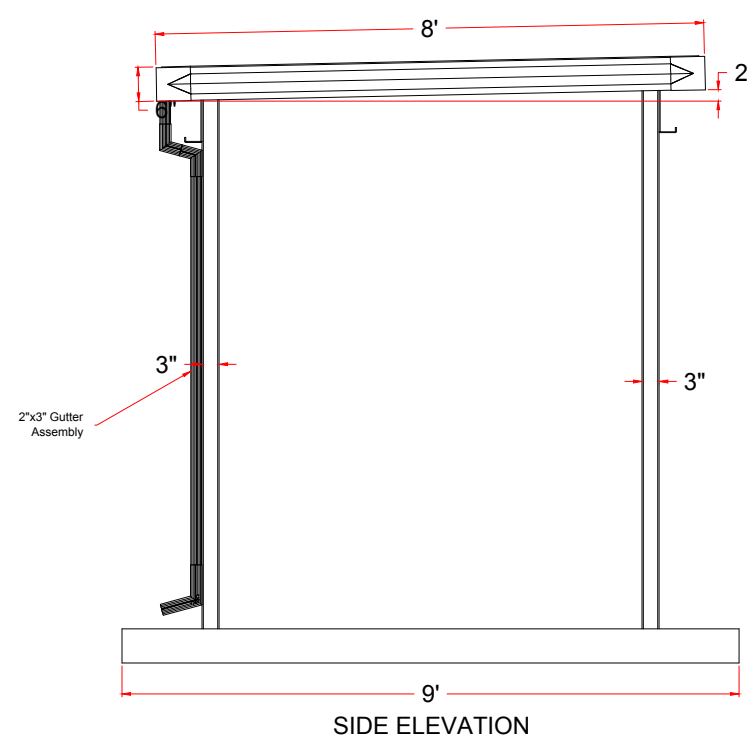
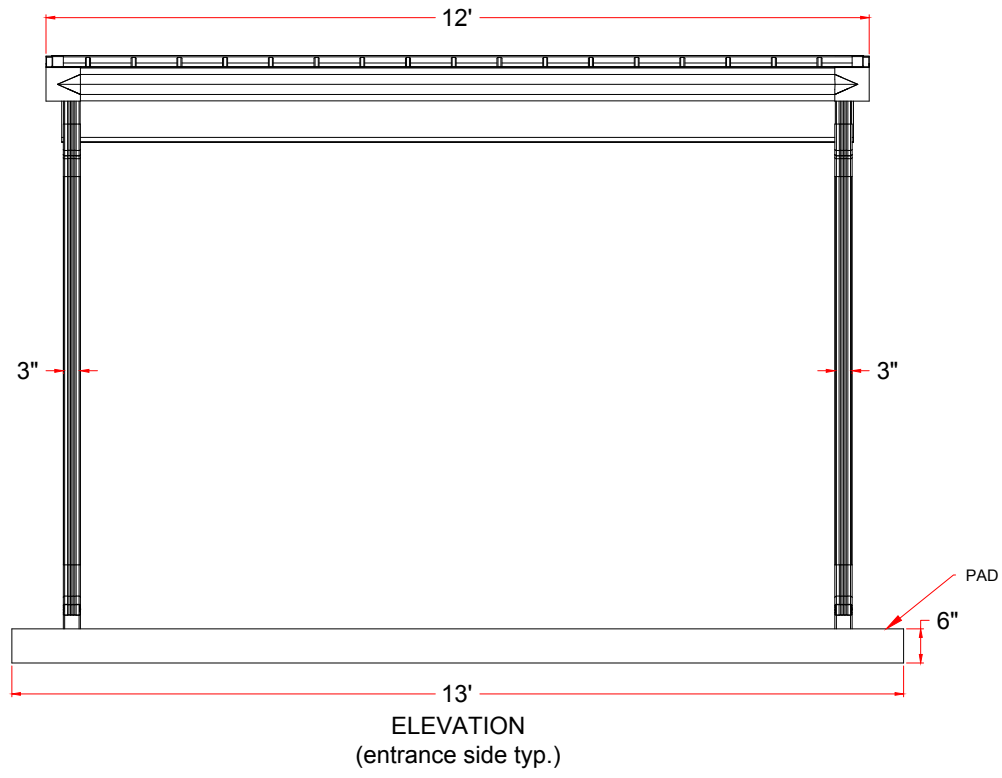
2

3

4

D

D

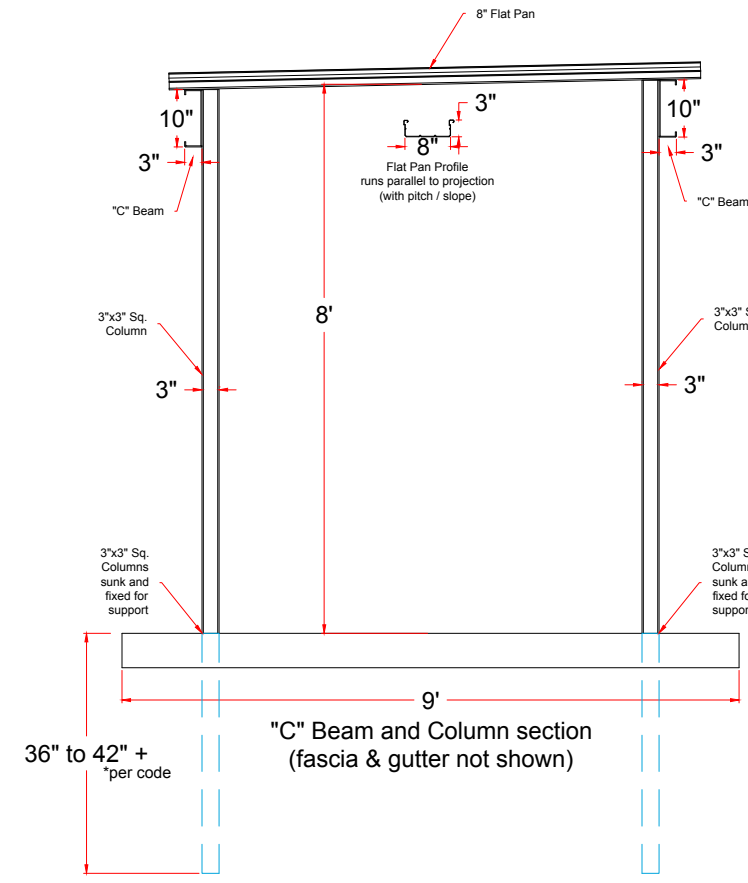
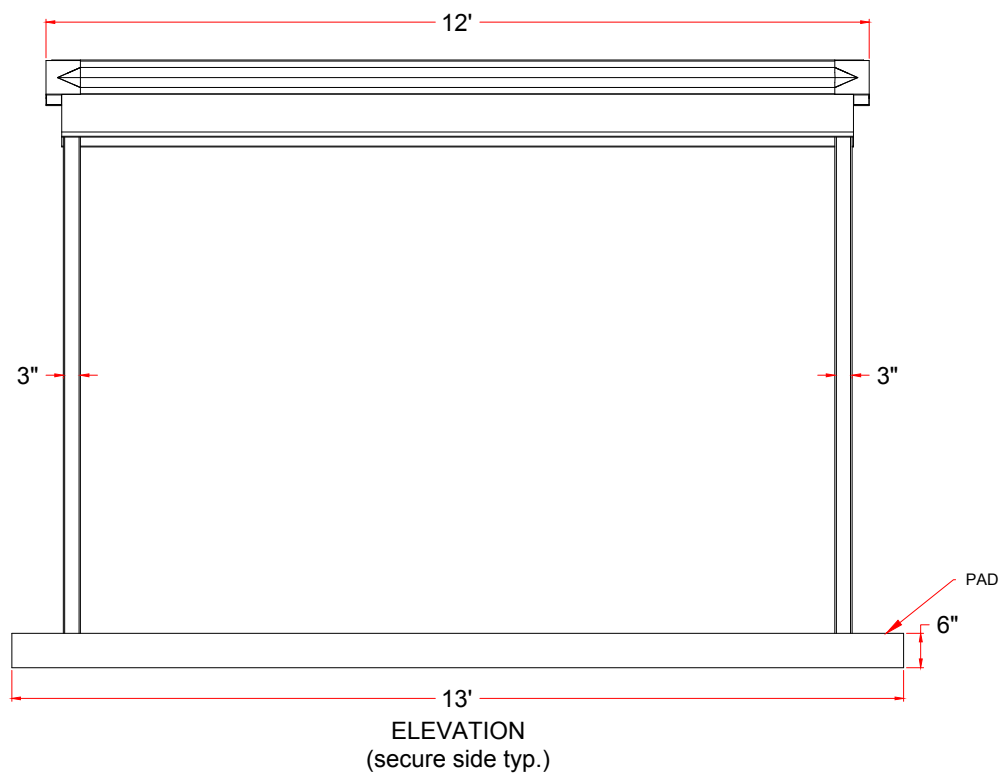


C

C

B

B



A

A

FIRST DRAWN	BY
12/24/16	CJC
REVISED	BY

www.TURNSTILES.us

8641 South Warhawk Rd. Conifer, CO 80433

Patrick McAllister Tel: 303-670-1099

Equipment Location Detail	
STAND ALONE TURNSTILE CANOPY 8' DEEP X 10' WIDE	
DWG	122416 8'x10' CANOPY ELD
DATE	12 / 24 / 16
SCALE =	< >
SHEET - 1 OF 1	