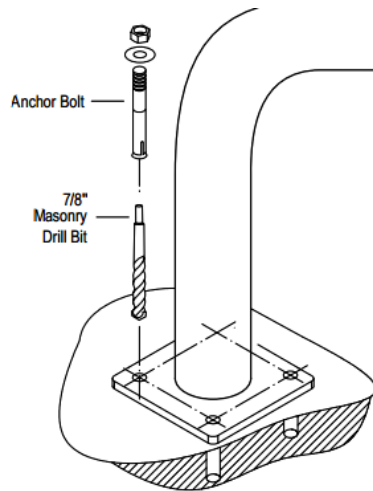


4 1/2 x 36" Safety Bollard

Prevent damage to valuable machinery from forklifts and pallet trucks.

- Solid 11-gauge steel construction. High-visibility safety yellow.
- Sturdy, 4.5" diameter steel posts with removable black caps. Fill with concrete for extra strength.
- [Includes Concrete Installation Kit](#)



MODEL NO.	DESCRIPTION	DIAM.	HEIGHT	MOUNTING PLATE DIM.	WT. (LBS.)
THE118	Bollards	4.5"	36"	8 x 8"	23