



Tripod Turnstile

CPW-312BF

Product Manual V3.2

Contents

Product Description.....	1
Structure Chart	2
Dimension Figure	2
Product Parameters.....	3
Product Function	3
Product Customization	6

Product Description

Vertical tripod turnstile CPW-312BF is with the bevel design, which is light and beautiful, simple and fashionable; The housing made of stainless steel is durable; the mechanism modules are imported from the international top brands' DC brushless motors and precise positioning encoders, so as to make sure the turnstile arms can rotate quickly and accurately, stably and quietly, with low-power consumption, energy conservation and environment protection.

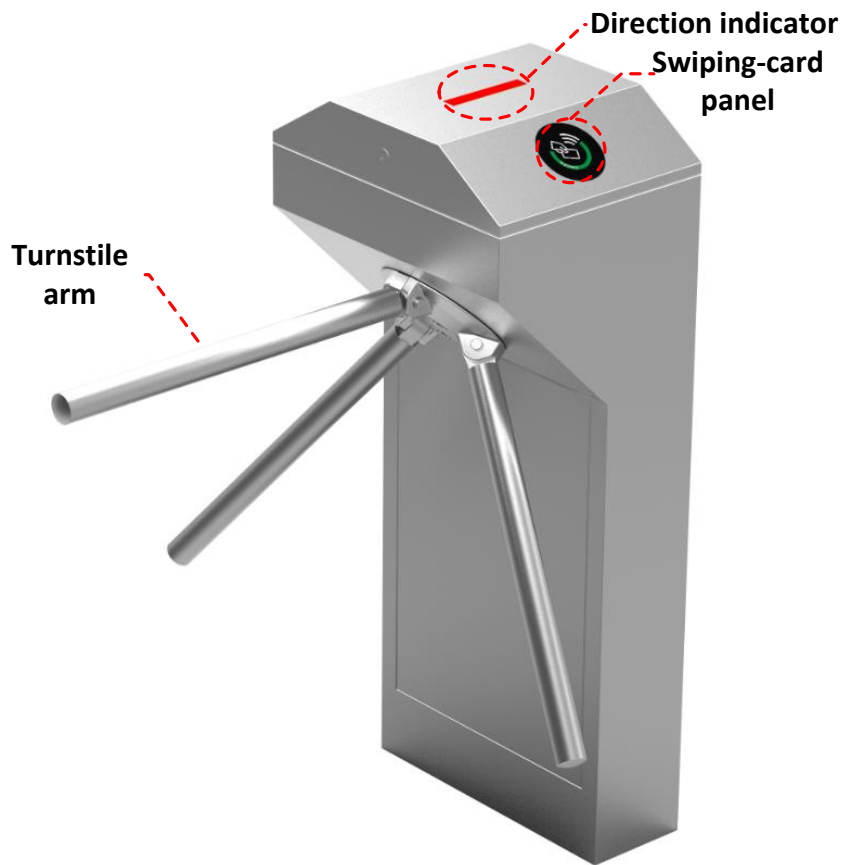
Feature

- ✧ After pedestrians providing valid open signal, the arms rotate by a certain angle to the opening direction so as to prompt pedestrians to pass through. After pedestrians push the arms slowly, the arms will rotate automatically to the opening direction.
- ✧ Achieve single-user throughput. Safe and reliable.
- ✧ With the strong waterproof, dust-proof ability and environmental adaptability, the turnstile is suitable for indoor and outdoor applications.
- ✧ Equipped with the dry contact signal input interface, RS485/RS232 interface, TCP/IP interface (optional), compatible with all kinds of access controllers.

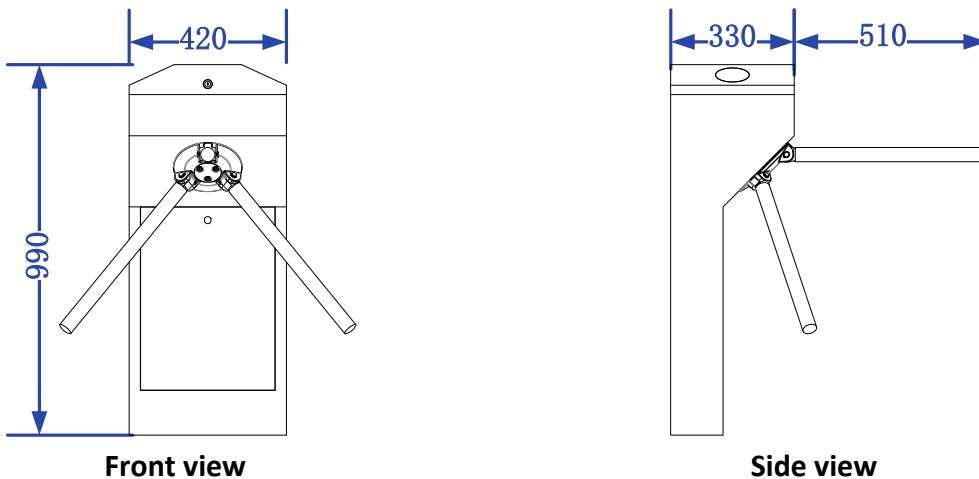
Occasion Applications

Suitable for commercial buildings, subways, airports, exhibition halls, factories, tourist attractions, residential communities etc.

Structure Chart



Dimension Figure (Unit: mm)



Product Parameters

Structure Parameters	
Housing material	304 grade stainless steel
Surface treatment	Brushed finish
Turnstile arm material	304 grade stainless steel
Technical Parameters	
Normal throughput capacity	20 ~ 35 people / min (according to the condition of pedestrians)
Evacuate throughput capacity	60 people/min (according to the condition of pedestrians)
Operation temperature	- 20℃~60℃
Electric Parameters	
Power supply	100-240VAC, 50/60Hz
Rated power	30W
Input / Output signal	6-channel relay signal output / 8-channel dry contact signal input
Communication interface	RS485 / RS232; TCP/IP interface (customizable)
Driving motor	DC brushless motor
Positioning method	Use the encoder to position the arm accurately
Method of motor control	Use high-performance DSP chip

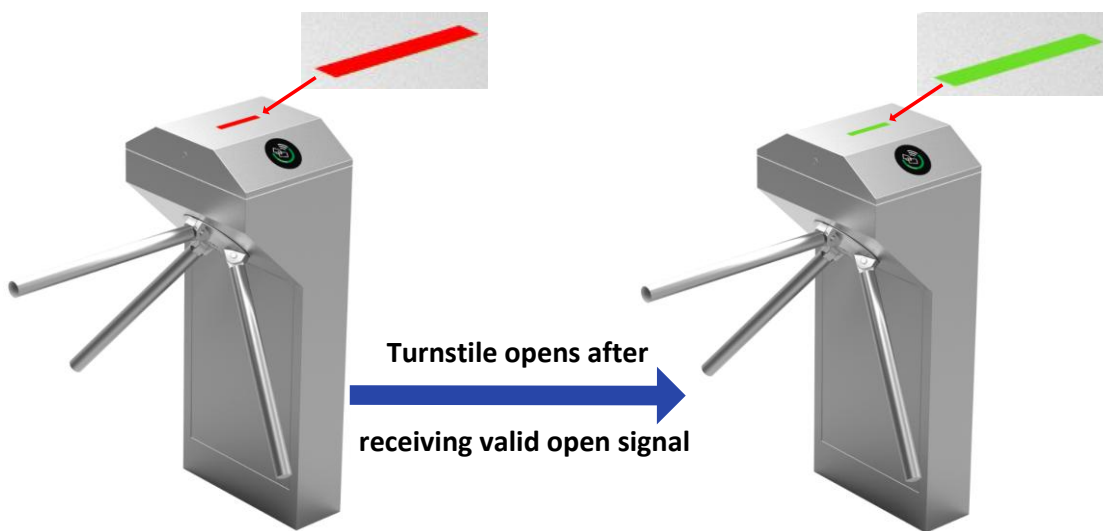
Product Function

● Basic Function

- **Passing mode switching function:** The entry and exit can be set independently **【controlled mode】** / **【free mode】** / **【forbidden mode】**
- **Automatic reset function:** The turnstile will open after receiving valid opening signal when standby. The turnstile arms will return to the hindered zero position automatically under the following situations:
 - (1) When pedestrians have finished passing through the turnstile;
 - (2) Beyond the allowed time.
- **Self-recovery function:** The turnstile arms don't return to the hindered zero position because of human intervention. After revoking human intervention, the arms will automatically return to the hindered zero position.
- **Automatically rotate the arms:** After pedestrians providing valid open signal, the turnstile arms rotate

by a certain angle to the opening direction so as to prompt pedestrians to pass through. After pedestrians push the arm slowly, the arms will rotate automatically to the opening direction.

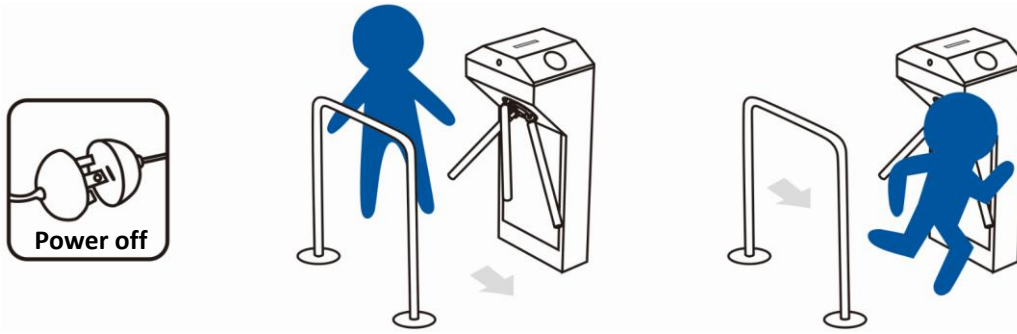
- **Memory function of passing requests:** When more than 2 passing signals are given at the same time (including the same direction and opposite direction), the system will remember all the passing requests and finish them one by one. The number can be up to 255.
- **Passing indication function:** The direction indicator is installed on the top of the housing cabinet to indicate the valid passing direction.



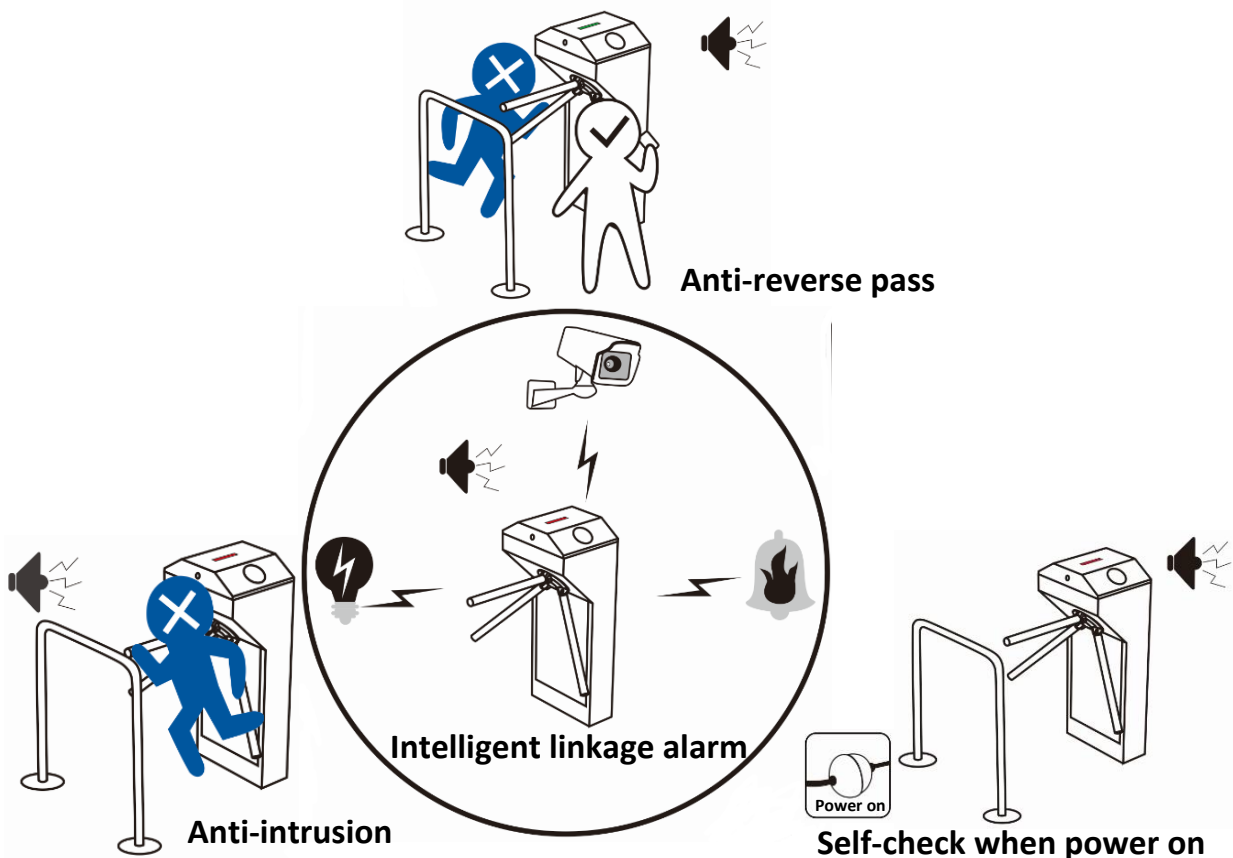
- **Compatibility:** Equipped with the dry contact signal input interface, RS485/RS232 interface, TCP/IP interface (optional), compatible with all kinds of access controllers.

● Security Design

- **Self-check function when power on:** The system will self-check routinely and alarm when power on, and intelligently detect the key hardware and function. Find the hidden danger within the shortest time!
- **Drop the arm when power off:** Adopt the leading mechanical structure by original creation; one of the arms will drop automatically when power off so as to evacuate people conveniently, which meets the firefighting requirement.



- **Anti-collision function:** When the arms are locked, they can support the impact force within the safety range. The arms can be manually pushed slowly when a sudden impact force is applied beyond the safety range, so as to protect the mechanism and pedestrians. After revoking human intervention, the arms will return to the hindered zero position automatically.
- **Emergency escape function:** Equipped with emergency escape control device, one of the arms will drop automatically to evacuate pedestrians conveniently.
- **Intelligent linkage alarm:** Illegal traffic events can be linked with other alarm monitoring equipment: such as access control systems, video management systems.



Product Customization

● Customized Functions

- Built-in or external counter
- TCP / IP communication

● Gate open button

- External gate open button.
- Install the gate open button with wireless remote control.

● Thermostat system

- Under low temperature environment, you can install the thermostats system inside the device.

● Materials

- The material of housing can be 316 grade stainless steel, and the thickness of stainless steel can be customized.

● System Integration

- Integrate with access control system and built-in reader appointed by customers.
- Integrate with visitor access control system.
- Integrate with ticketing system.

★ Notes:

- (1) The product design and specifications are subject to change without prior notice. (2) Please contact us directly for special features customization.