



## **Tripod Turnstile**

**CPW-450BM**

**Product Manual V3.2**

# Contents

Product Description.....	1
Structure Chart.....	2
Dimension Figure.....	2
Product Parameters.....	3
Product Function.....	3
Product Customization.....	3

## Product Description

Bridge type tripod turnstile CPW-450BM is with bevel design and has no side baffle, which is light and beautiful, simple and fashionable; The housing made of stainless steel is durable; The mechanism modules are pure mechanical structures, with low-power consumption, energy conservation and environment protection.

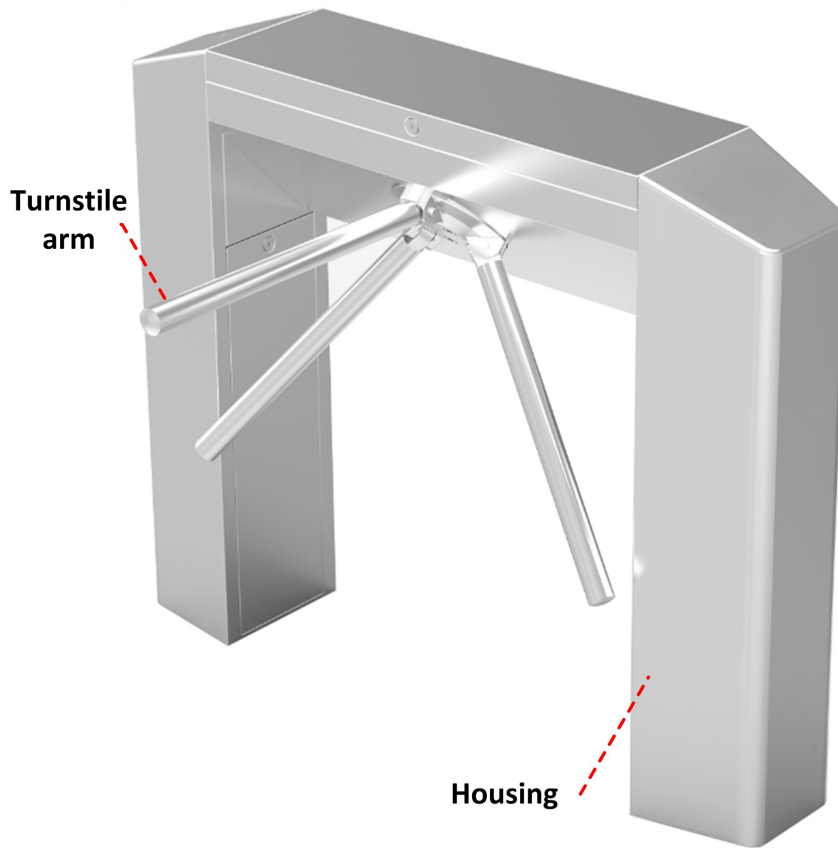
## Feature

- ✧ Excluding electrical structure, pedestrians need to manually push the arms to pass through.
- ✧ Achieve single-user throughput. Safe and reliable.
- ✧ With the strong waterproof, dust-proof ability and environmental adaptability, the turnstile is suitable for indoor and outdoor applications.

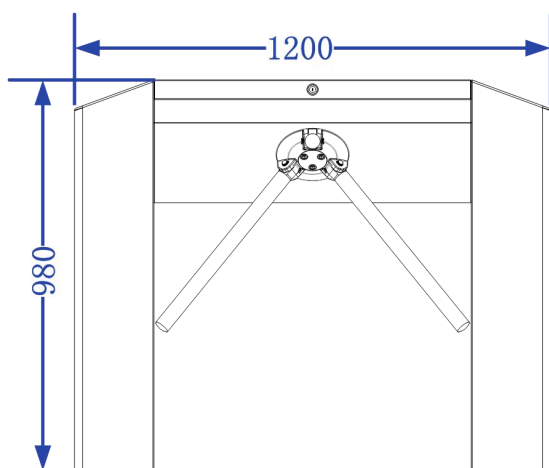
## Occasion Applications

Suitable for commercial buildings, airports, train stations, exhibition halls, tourist attractions, residential communities etc.

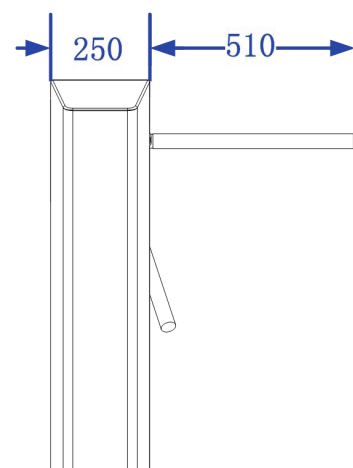
## Structure Chart



## Dimension Figure (Unit: mm)



**Front view**



**Side view**

## Product Parameters

Structure Parameters	
Housing material	304 grade stainless steel
Surface treatment	Brushed finish
Turnstile arm material	304 grade stainless steel
Technical Parameters	
Normal throughput capacity	20 ~ 35 people / min (according to the condition of pedestrians)
Evacuate throughput capacity	60 people/min (according to the condition of pedestrians)
Operation temperature	- 20℃~60℃

## Product Function

### ● Basic Function

- **Passing direction switching function** : Free passing for signal direction while another direction is forbidden to pass; the passing direction can be adjusted for entry and exit.
- **Automatic reset function**: When pedestrians have finished passing through the turnstile, the arms will return to the hindered zero position automatically.
- **Manually dropping-arms**: Open the turnstile maintenance door and press the snap, one of the arms will drop down automatically so as to evacuate pedestrians conveniently, which meets the firefighting requirement.

## Product Customization

### ● Customized Functions

- Passing indication function.

### ● Materials

- The material of housing can be 316 grade stainless steel, and the thickness of stainless steel can be customized.

### ★ Notes:

- (1) The product design and specifications are subject to change without prior notice.
- (2) Please contact us directly for special features customization.