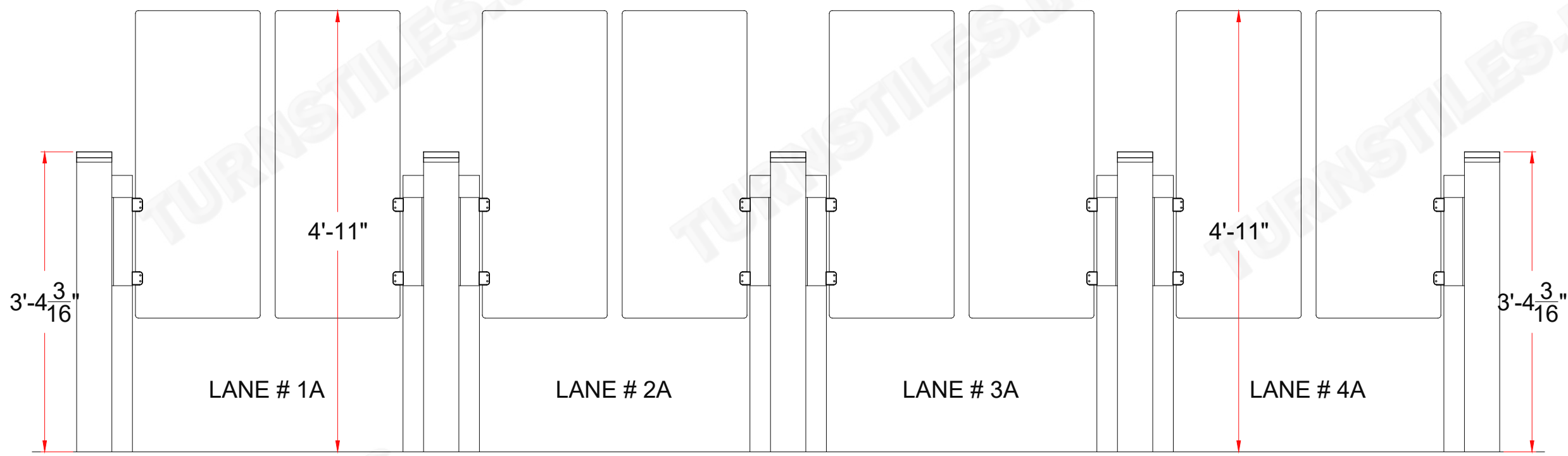
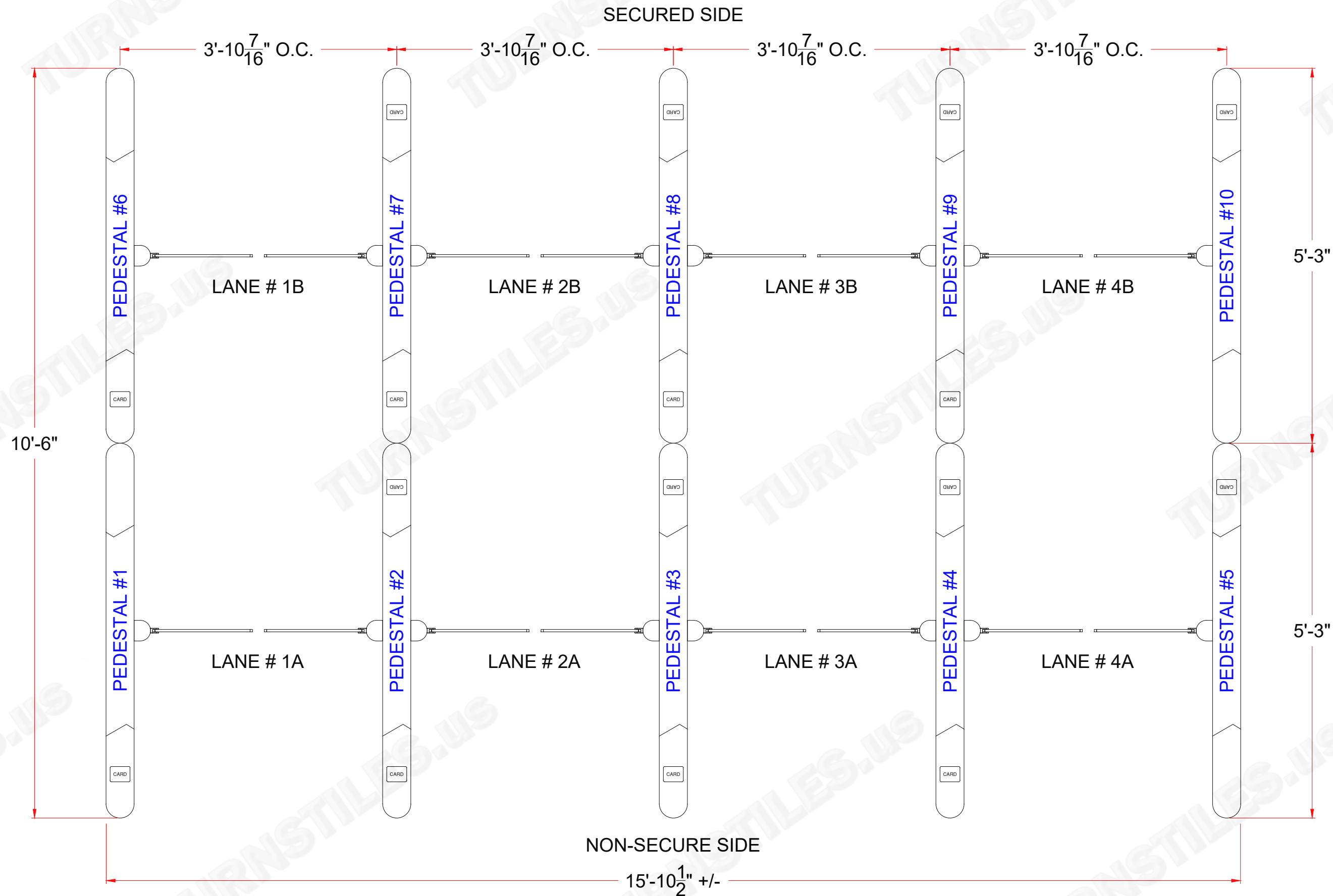


*** DIMENSIONS MAY VARY SLIGHTLY IN ACTUAL INSTALLATION - FABRICATION CHANGES OR SUBSTITUTIONS RESERVED ***



ELEVATION
FROM APPROACH

* SEE PG.2 FOR ADDED
OTSG9000 DIMENSIONS



FLOOR PLAN
FOOT PRINT

AUTHORIZED SIGNATURE: _____

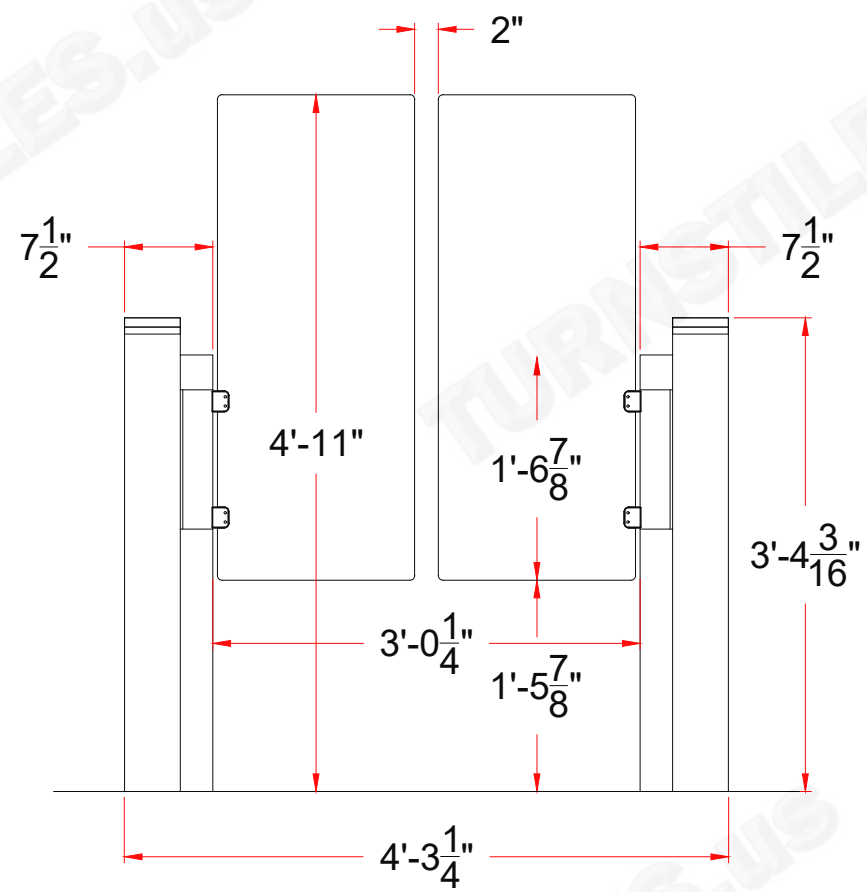
DATE: ___ / ___ / ___

FIRST DRAWN	BY
04-14-26	CJC
REVISED	BY
COPYRIGHT © TURNSTILES.US Copyright © Turnstiles.us All rights reserved. Reproduction or translation of this work without the express written permission of TURNSTILES.us is unlawful and is an infringement of intellectual property belonging to TURNSTILES.us. All drawings and/or designs are restricted for use exclusively with a purchase, installation, and/or support from Turnstiles.us. Any other use of these materials is a violation of copyright law. Request for additional information should be addressed to the Legal Department, Turnstiles.us.	

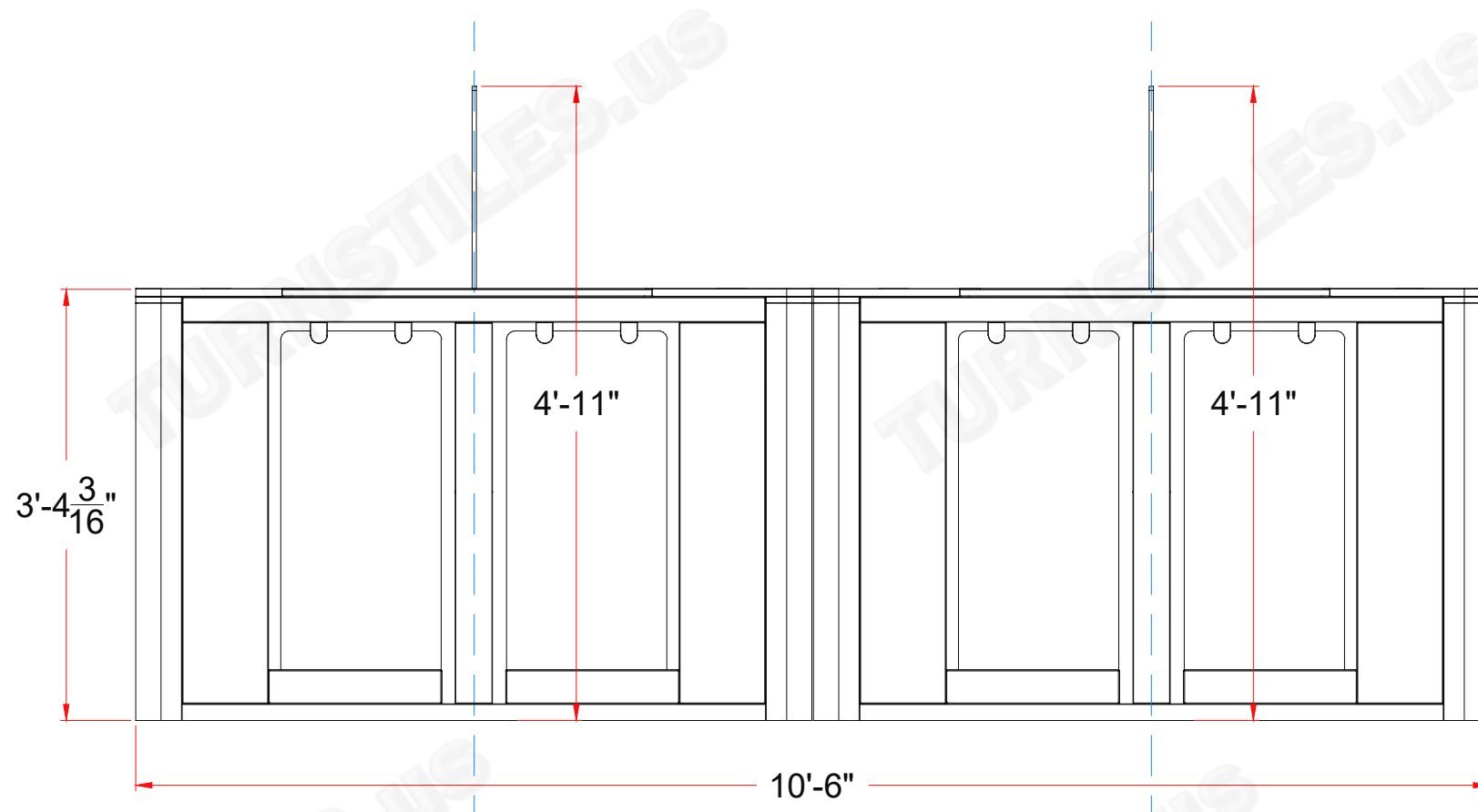
TURNSTILES.US
 SECURING THE USA and the GLOBE since 1989
 www.TURNSTILES.us
 Call: 303-670-1099 | Text: 303-918-9787
 patrick.mcallister@turnstiles.us

EQUIPMENT LOCATION DETAIL	
Ana Lombardo - Astoria, NY Ghost Set OTSG-9000 Series Optical Turnstiles (4) Perpetual Lanes ADA Width, Man Trap Configurations	
DRAWING:	
Ana Lombardo - Astoria, NY Ghost Set OTSG-9000 Series ELD	
DATE:	04-14-26
PAGE:	1 OF 2

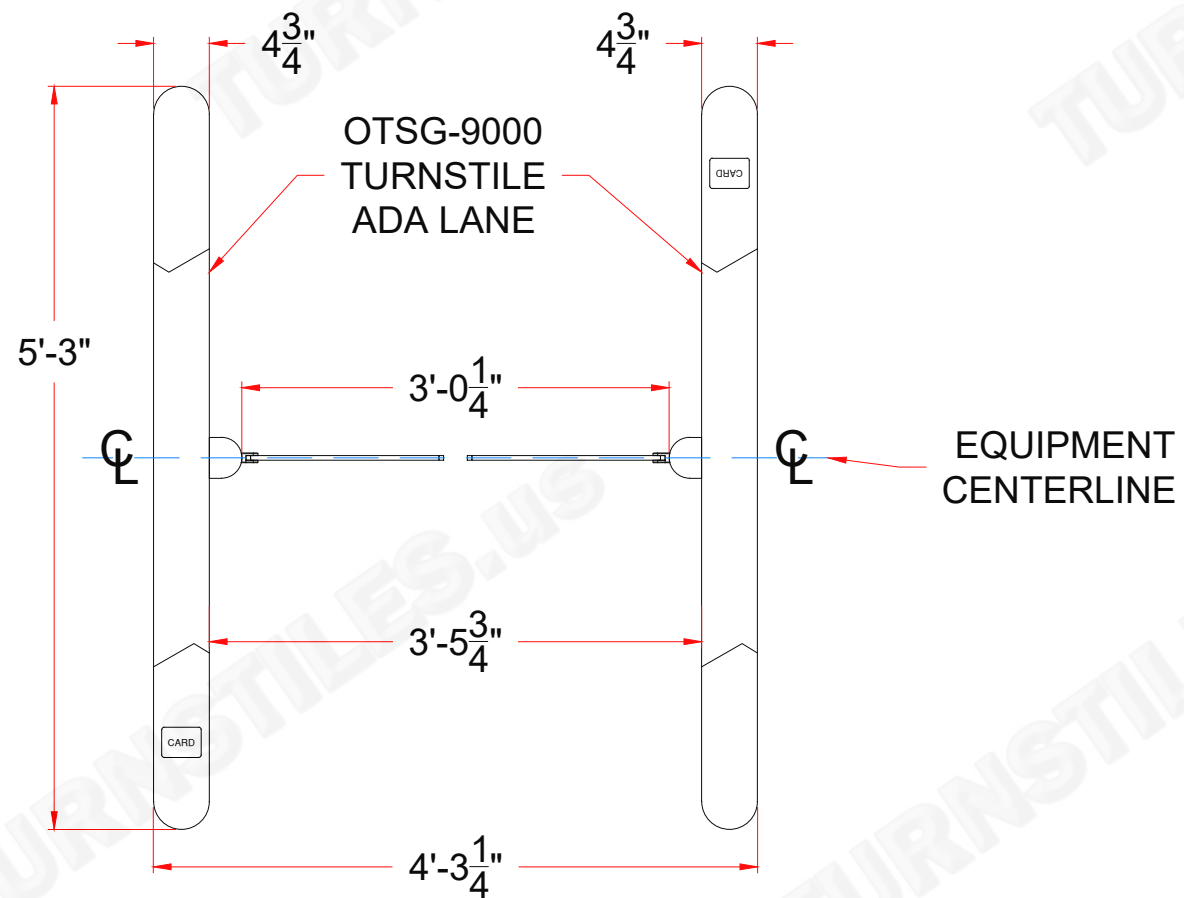
*** DIMENSIONS MAY VARY SLIGHTLY IN ACTUAL INSTALLATION - FABRICATION CHANGES OR SUBSTITUTIONS RESERVED ***



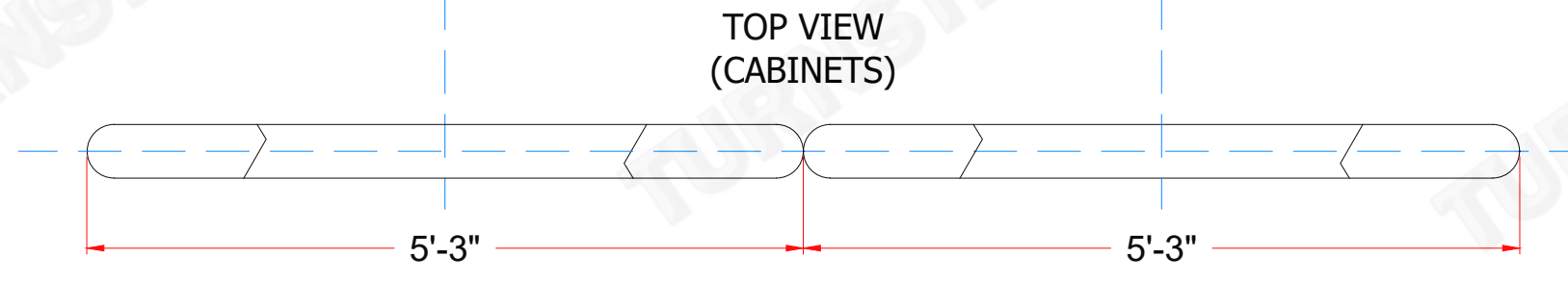
ELEVATION DIMENSIONS



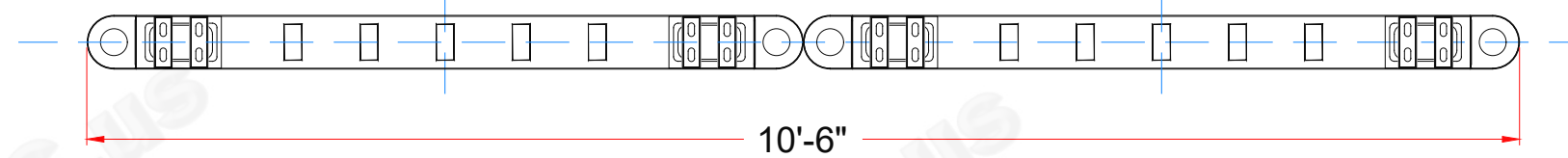
SIDE ELEVATION



FLOOR PLAN FOOT PRINT DIMENSIONS

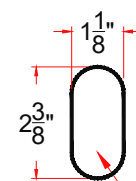


TOP VIEW (CABINETS)



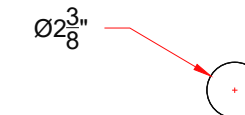
ANCHOR BASE CONDUIT DETAIL

Bolt Hole x 8
Use all (rec.)

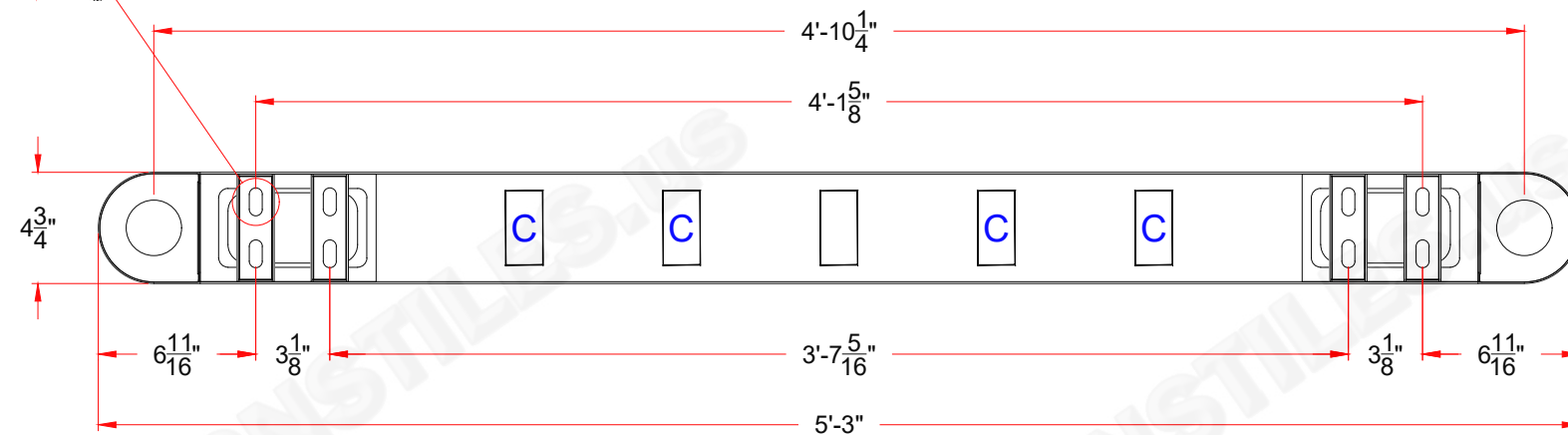


Cabinet Base Template

Conduit Opening Dimensions



C = Conduit Opening in Base



AUTHORIZED SIGNATURE: _____

DATE: ___ / ___ / ___

FIRST DRAWN	BY
04-14-26	CJC
REVISED	BY
<p>COPYRIGHT © TURNSTILES.US Copyright © Turnstiles.us All rights reserved. Reproduction or translation of this work without the express written permission of TURNSTILES.US is unlawful and is an infringement of intellectual property belonging to TURNSTILES.US. All drawings and/or designs are restricted for use exclusively with a purchase, installation, and/or support from Turnstiles.us. Any other use of these materials is a violation of copyright law. Request for additional information should be addressed to the Legal Department, Turnstiles.us.</p>	

TURNSTILES.US
 SECURING THE USA and the GLOBE since 1989
 www.TURNSTILES.US
 Call: 303-670-1099 | Text: 303-918-9787
 patrick.mcallister@turnstiles.us

EQUIPMENT LOCATION DETAIL	
Ana Lombardo - Astoria, NY Ghost Set OTSG-9000 Series Optical Turnstiles (4) Perpetual Lanes ADA Width, Man Trap Configurations	
DRAWING:	
Ana Lombardo - Astoria, NY Ghost Set OTSG-9000 Series ELD	
DATE:	04-14-26
PAGE:	2 OF 2