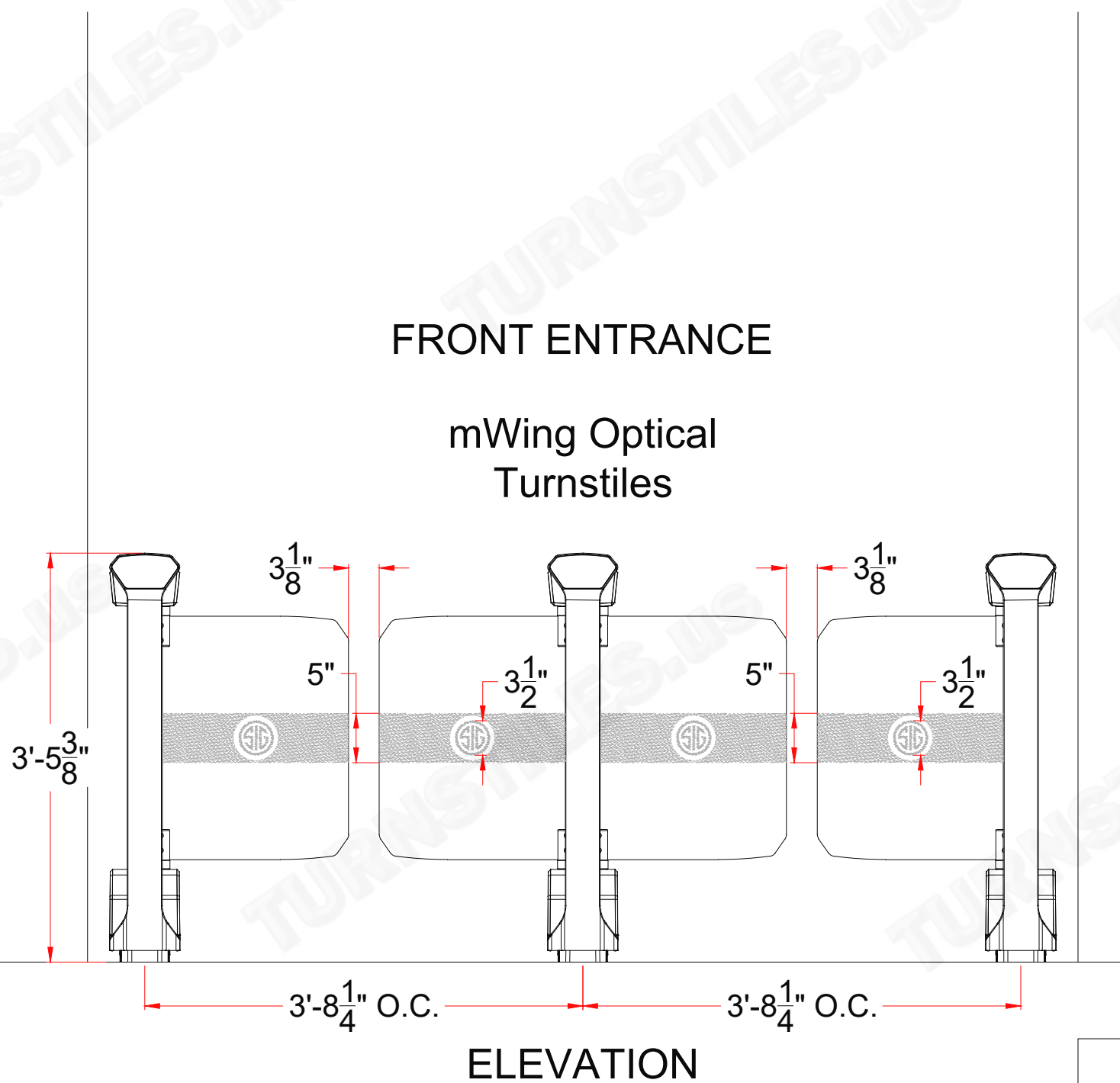
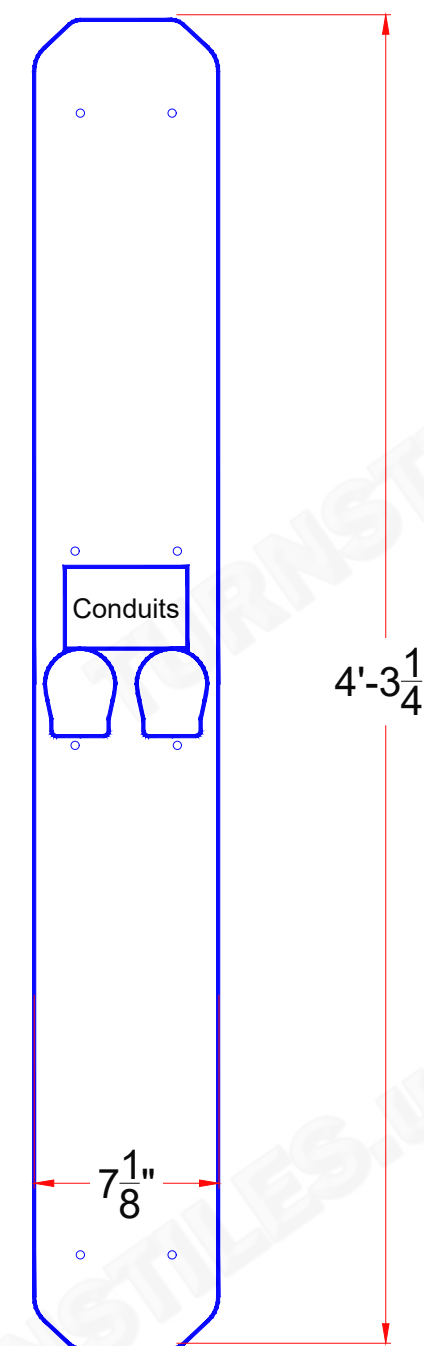


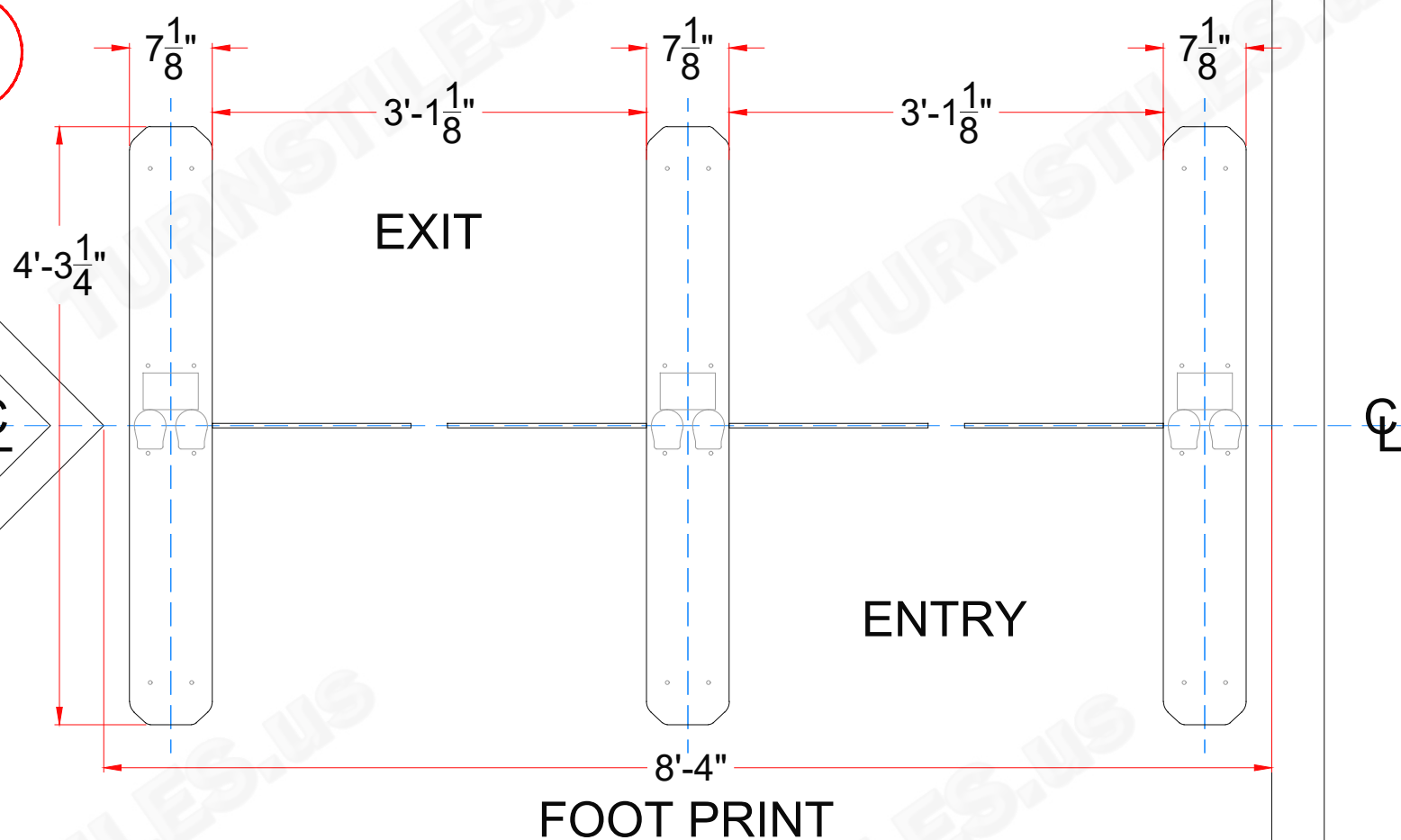
\*\*\* DIMENSIONS MAY VARY SLIGHTLY IN ACTUAL INSTALLATION - FABRICATION CHANGES OR SUBSTITUTIONS RESERVED \*\*\*



mWing  
Foot Print



PASSAGE WIDTHS AND SWING BARRIER LENGTHS ARE BASED ON GIVEN DIMENSIONS OF EXISTING EQUIPMENT AND LIKELY CONDUIT LOCATIONS



EQUIPMENT CENTERLINE

FIRST DRAWN	BY
02-19-26	CJC
REVISED	BY
04-15-26	CJC
<del>04-28-26</del>	<del>CJC</del>
04-27-26	CJC

**COPYRIGHT © TURNSTILES.US**  
 Copyright © Turnstiles.us All rights reserved. Reproduction or translation of this work without the express written permission of TURNSTILES.US is unlawful and is an infringement of intellectual property belonging to TURNSTILES.US.  
 All drawings and/or designs are restricted for use exclusively with a purchase, installation, and/or support from Turnstiles.us. Any other use of these materials is a violation of copyright law. Request for additional information should be addressed to the Legal Department, Turnstiles.us.

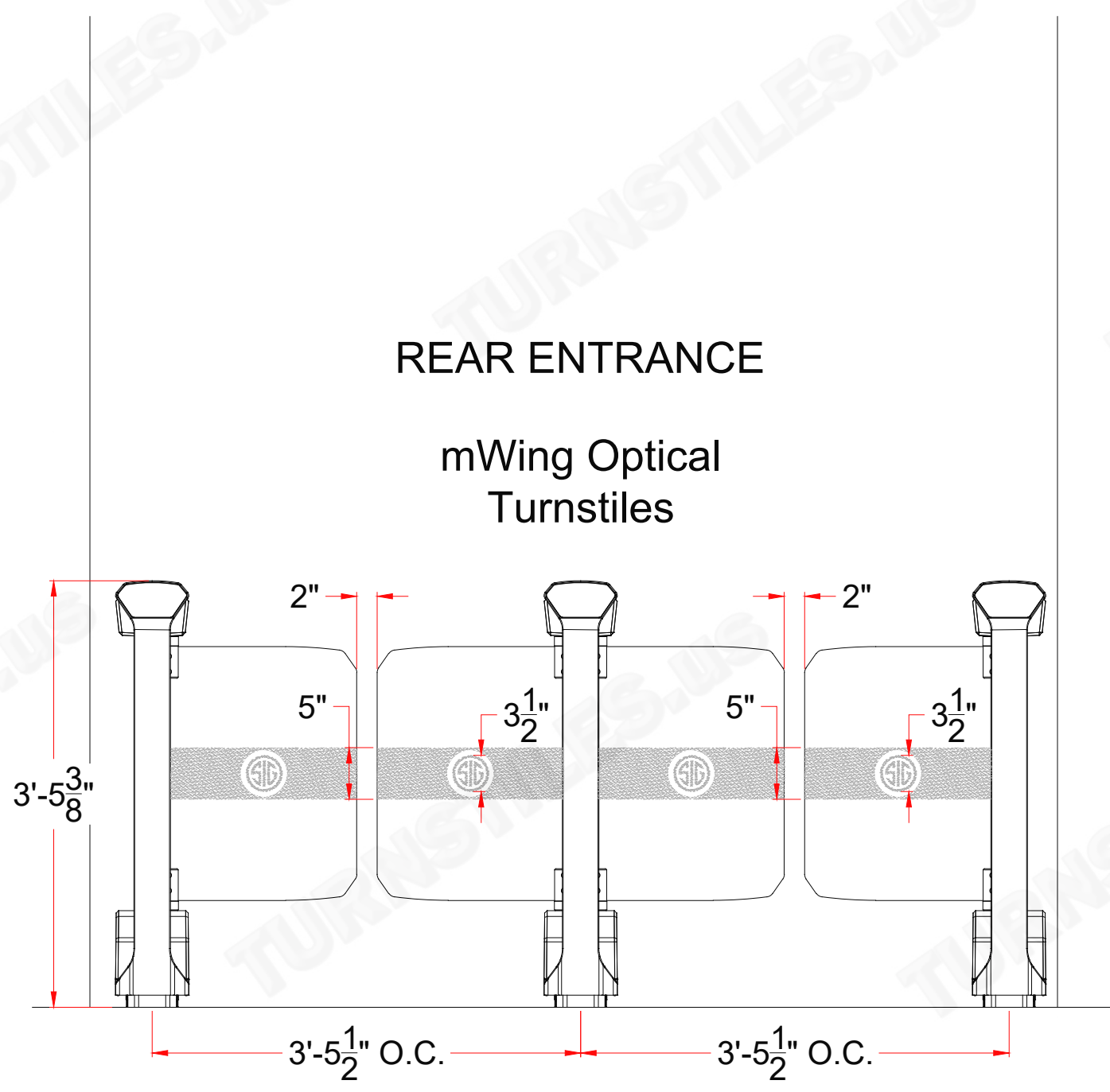
**TURNSTILES.US**  
 SECURING THE USA and the GLOBE since 1989  
[www.TURNSTILES.us](http://www.TURNSTILES.us)  
 Call: 303-670-1099 | Text: 303-918-9787  
 patrick.mcallister@turnstiles.us

EQUIPMENT LOCATION DETAIL	
Sig Sauer Newington, NH Front and Rear Employee Entrances mWing Turnstiles	
DRAWING:	
SIG SAUER mWing TURNSTILES ELD - FO VFD - BRAND	
DATE:	04-28-26
PAGE:	1 OF 2

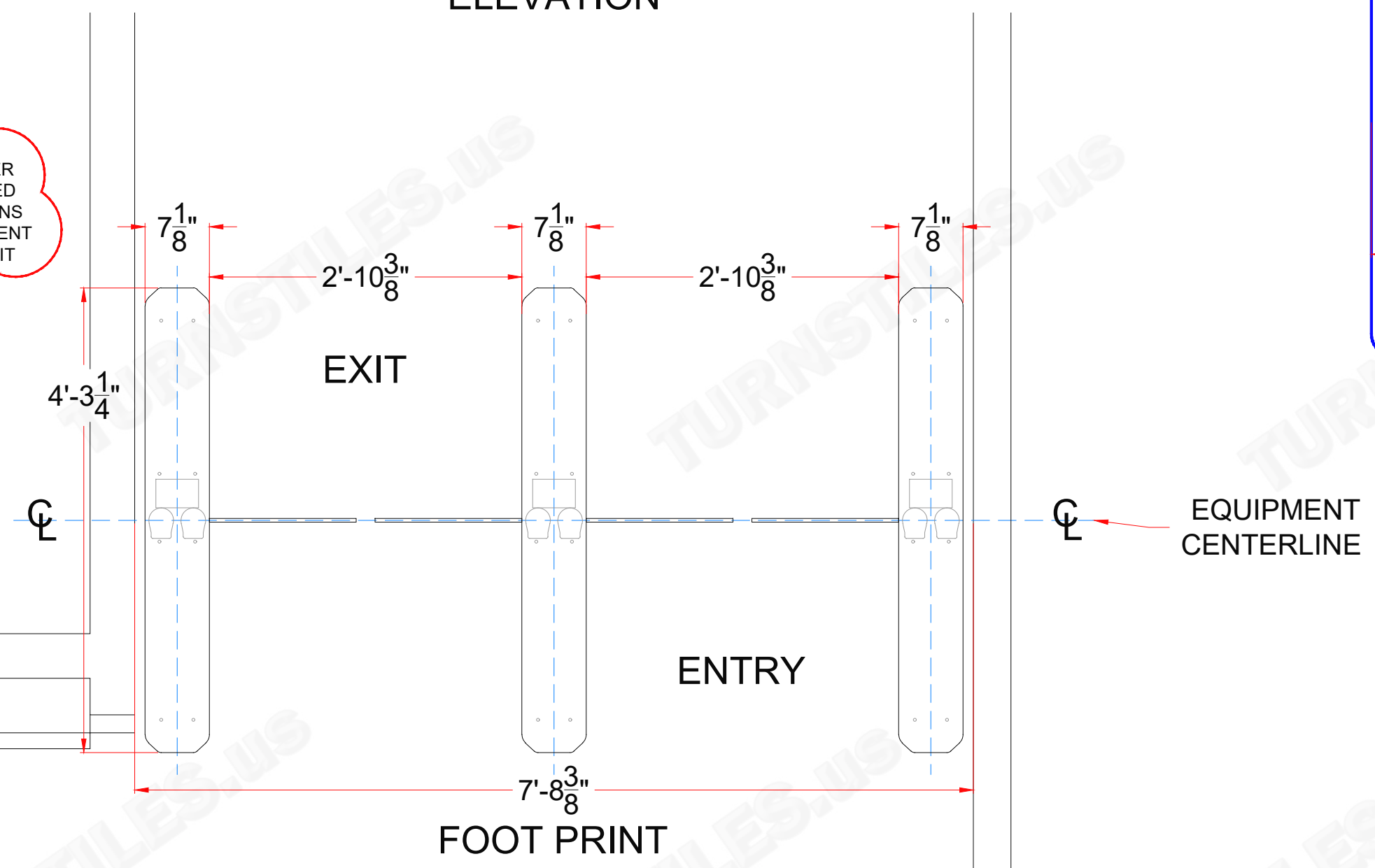
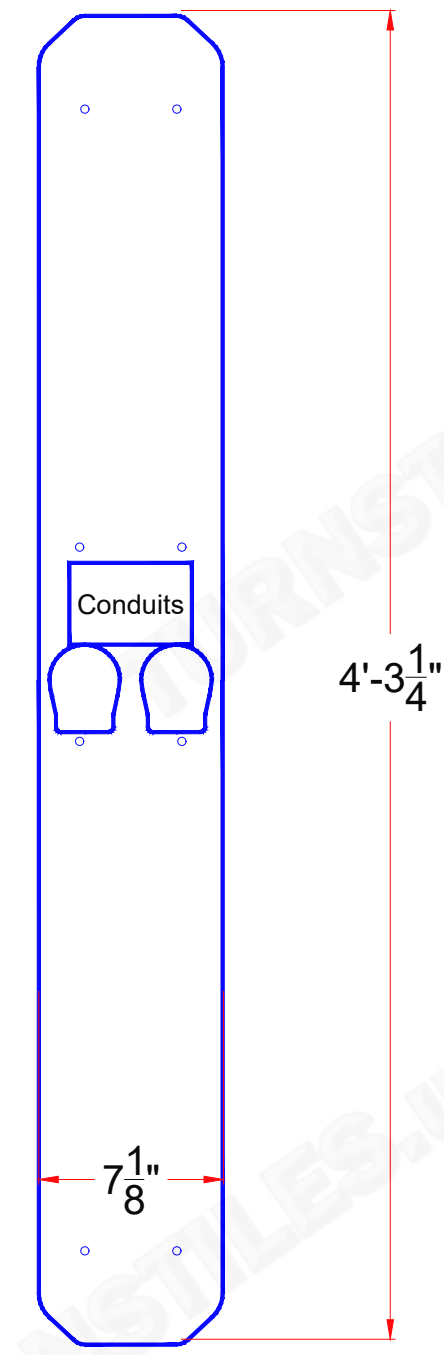
AUTHORIZED SIGNATURE: \_\_\_\_\_

DATE: \_\_\_ / \_\_\_ / \_\_\_

\*\*\* DIMENSIONS MAY VARY SLIGHTLY IN ACTUAL INSTALLATION - FABRICATION CHANGES OR SUBSTITUTIONS RESERVED \*\*\*



mWing  
Foot Print



AUTHORIZED SIGNATURE: \_\_\_\_\_

DATE: \_\_\_ / \_\_\_ / \_\_\_

FIRST DRAWN	BY
02-19-26	CJC
REVISED	BY
04-15-26	CJC
<del>04-28-26</del>	<del>CJC</del>
04-27-26	CJC

**COPYRIGHT © TURNSTILES.US**  
 Copyright © Turnstiles.us All rights reserved. Reproduction or translation of this work without the express written permission of TURNSTILES.US is unlawful and is an infringement of intellectual property belonging to TURNSTILES.US.  
 All drawings and/or designs are restricted for use exclusively with a purchase, installation, and/or support from Turnstiles.us. Any other use of these materials is a violation of copyright law. Request for additional information should be addressed to the Legal Department, Turnstiles.us.

**TURNSTILES.US**  
 SECURING THE USA and the GLOBE since 1989  
[www.TURNSTILES.us](http://www.TURNSTILES.us)  
 Call: 303-670-1099 | Text: 303-918-9787  
 patrick.mcallister@turnstiles.us

EQUIPMENT LOCATION DETAIL	
Sig Sauer Newington, NH Front and Rear Employee Entrances mWing Turnstiles	
DRAWING:	
SIG SAUER mWing TURNSTILES ELD - FO VFD - BRAND	
DATE:	04-28-26
PAGE:	2 OF 2