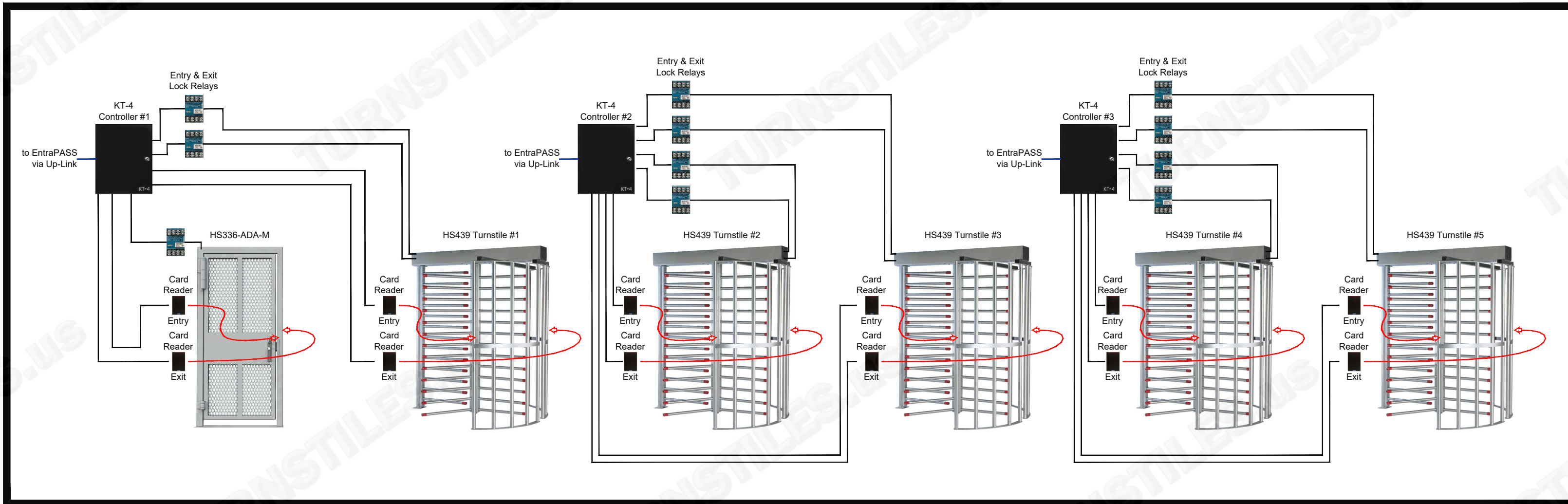


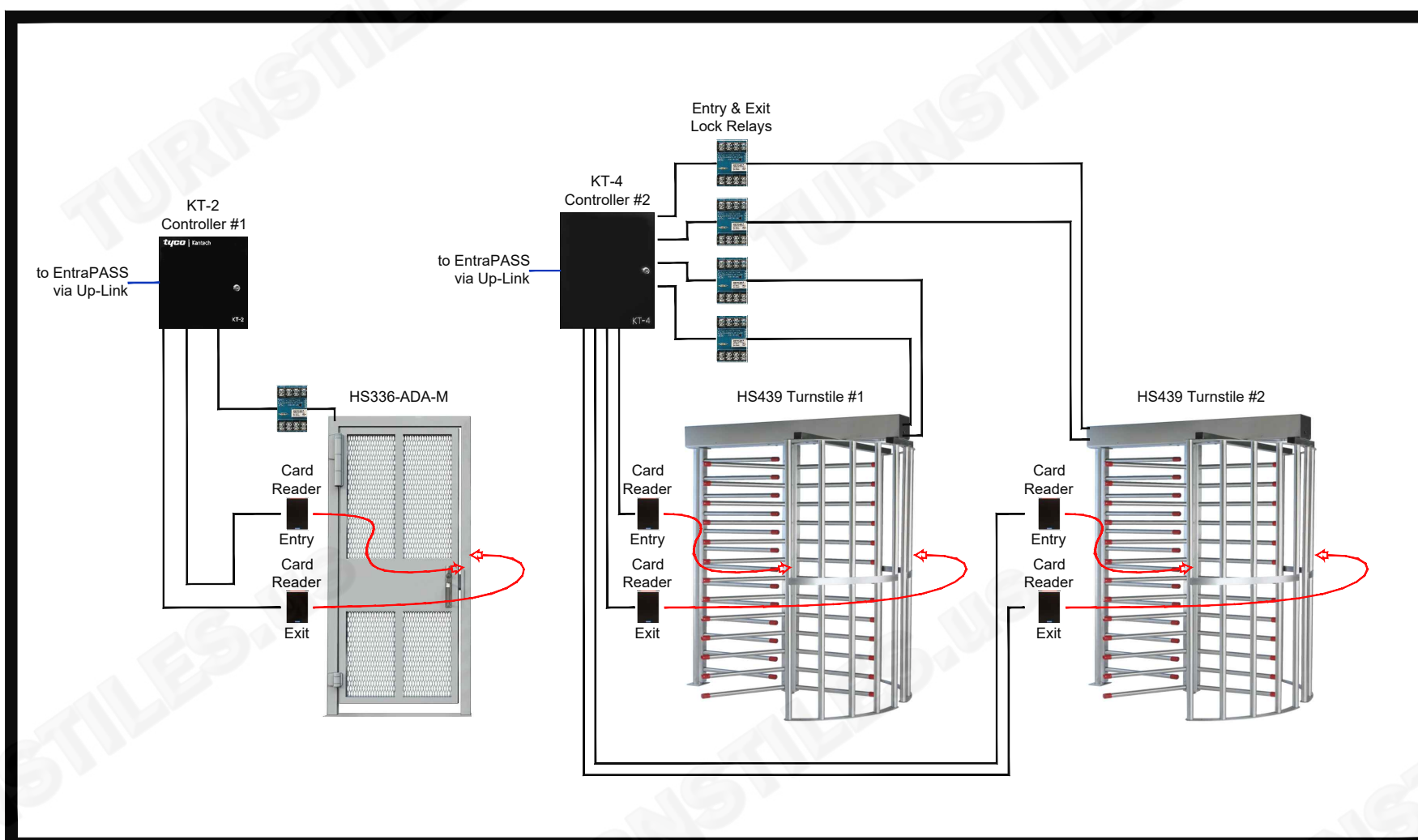
\*\*\* DIMENSIONS MAY VARY IN FABRICATION / INSTALLATION - SUBSTITUTIONS OR ALTERATIONS RESERVED \*\*\*

# 40' Container



Depiction shows EntraPASS communication and/or connections, and it is implied that all equipment has required powering (VAC or VDC).  
 (Equipment Images Not To Scale)

# 20' Container



Depiction shows EntraPASS communication and/or connections, and it is implied that all equipment has required powering (VAC or VDC).  
 (Equipment Images Not To Scale)

FIRST DRAWN	BY
06-09-26	CJC
REVISED	BY

**COPYRIGHT © TURNSTILES.US**  
 Copyright © Turnstiles.us All rights reserved. Reproduction or translation of this work without the express written permission of TURNSTILES.US is unlawful and is an infringement of intellectual property belonging to TURNSTILES.US. All drawings and/or designs are restricted for use exclusively with a purchase, installation, and/or support from Turnstiles.us. Any other use of these materials is a violation of copyright law. Request for additional information should be addressed to the Legal Department, Turnstiles.us.

**TURNSTILES.US**  
 SECURING THE USA and the GLOBE since 1989  
 www.TURNSTILES.us  
 Call: 303-670-1099 | Text: 303-918-9787  
 patrick.mcallister@turnstiles.us

ONE LINE DIAGRAM	
Standard Containers with HS439-S Turnstiles, HS336-ADA-M Swing Gates, KT Controllers, RBSN Relays, Card Readers, Two Way Controlled, Up-Link, Typical Diagram	
DRAWING:	
40' & 20' CONTAINER HS SERIES - KT SERIES EntraPASS - ONE LINE TYPICAL DIAGRAM	
DATE:	06-09-26
PAGE:	1 OF 1