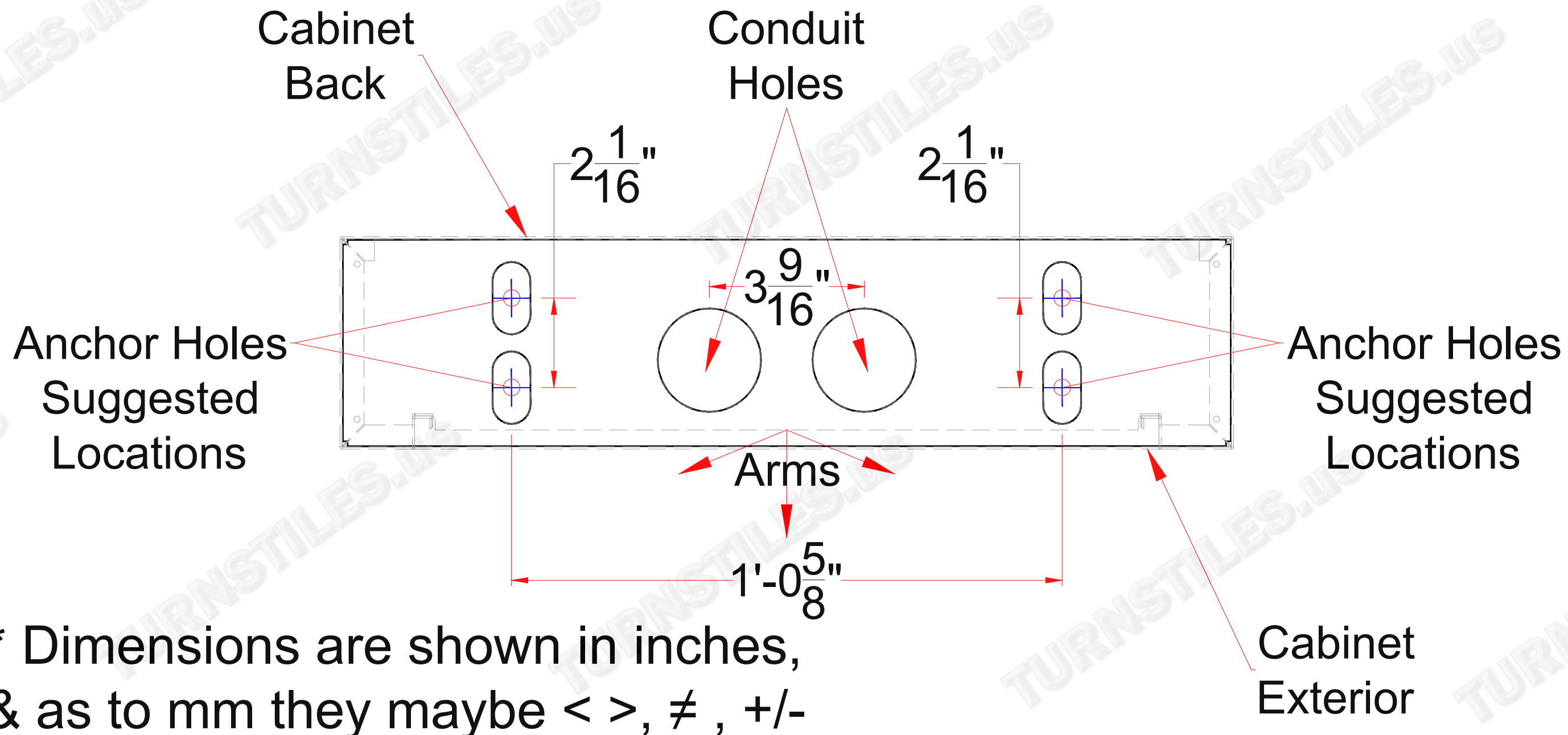
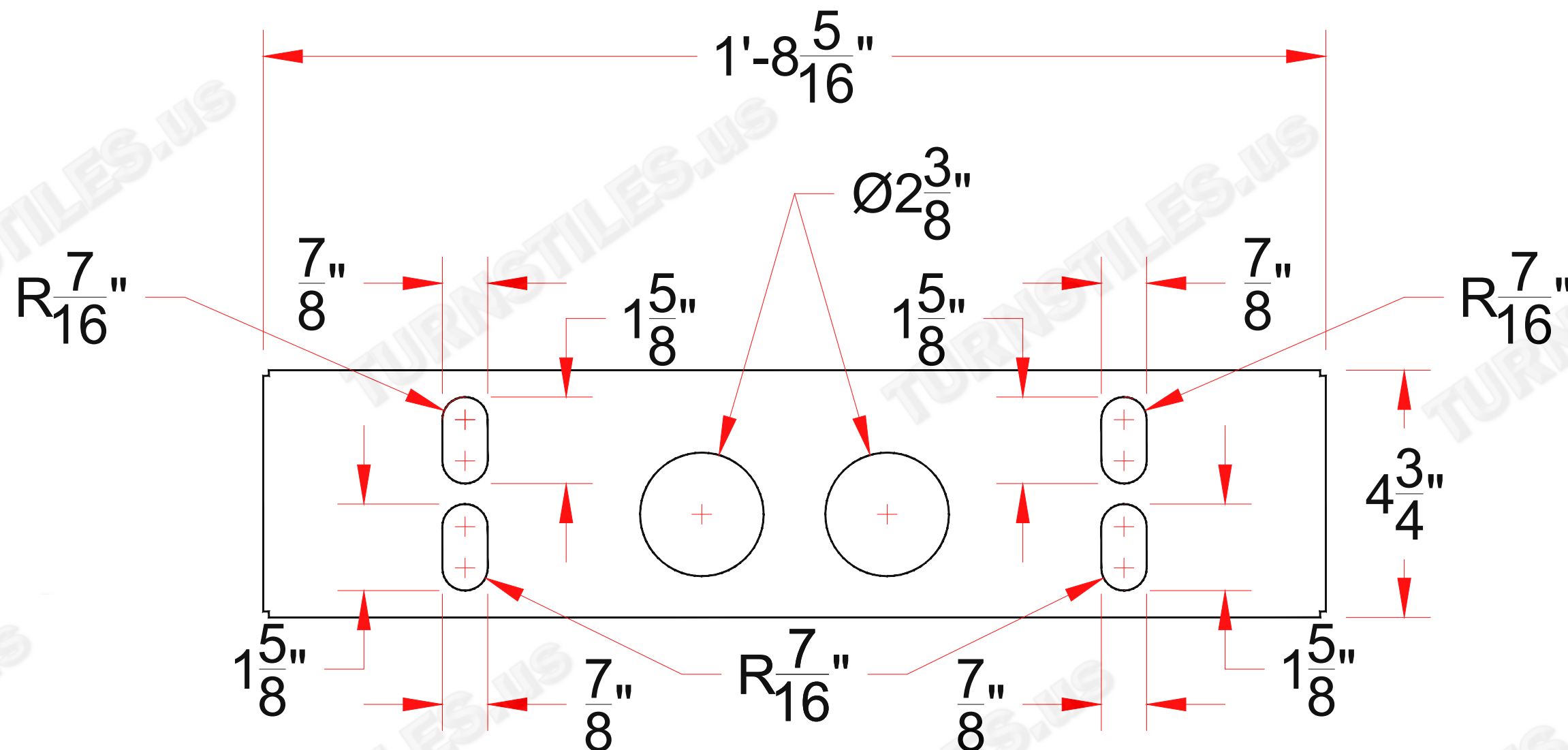


* DIMENSIONS MAY VARY SLIGHTLY IN ACTUAL INSTALLATION - FABRICATION CHANGES RESERVED *



* Dimensions are shown in inches, & as to mm they maybe < >, ≠, +/-



Baseplate Detail
(Mount Plate)

FIRST DRAWN	BY
12-15-21	CJC
REVISED	BY
COPYRIGHT © TURNSTILES.US Copyright © Turnstiles.us All rights reserved. Reproduction or translation of this work without the express written permission of TURNSTILES.us is unlawful and is an infringement of intellectual property belonging to TURNSTILES.us. All drawings and/or designs are restricted for use exclusively with a purchase, installation, and/or support from Turnstiles.us. Any other use of these materials is a violation of copyright law. Request for additional information should be addressed to the Legal Department, Turnstiles.us.	

TURNSTILES.US

www.TURNSTILES.us

Call 303 670 1099 * Text 303 918 9787

patrick.mcallister@turnstiles.us

DETAIL - DIMENSIONS	
TS1000 SERIES TurnstileBaseplate Detail and Dimensions	
DWG	TS1000 SERIES BASEPLATEDETAIL
DATE	12-15-21
SHEET - 1 OF 1	