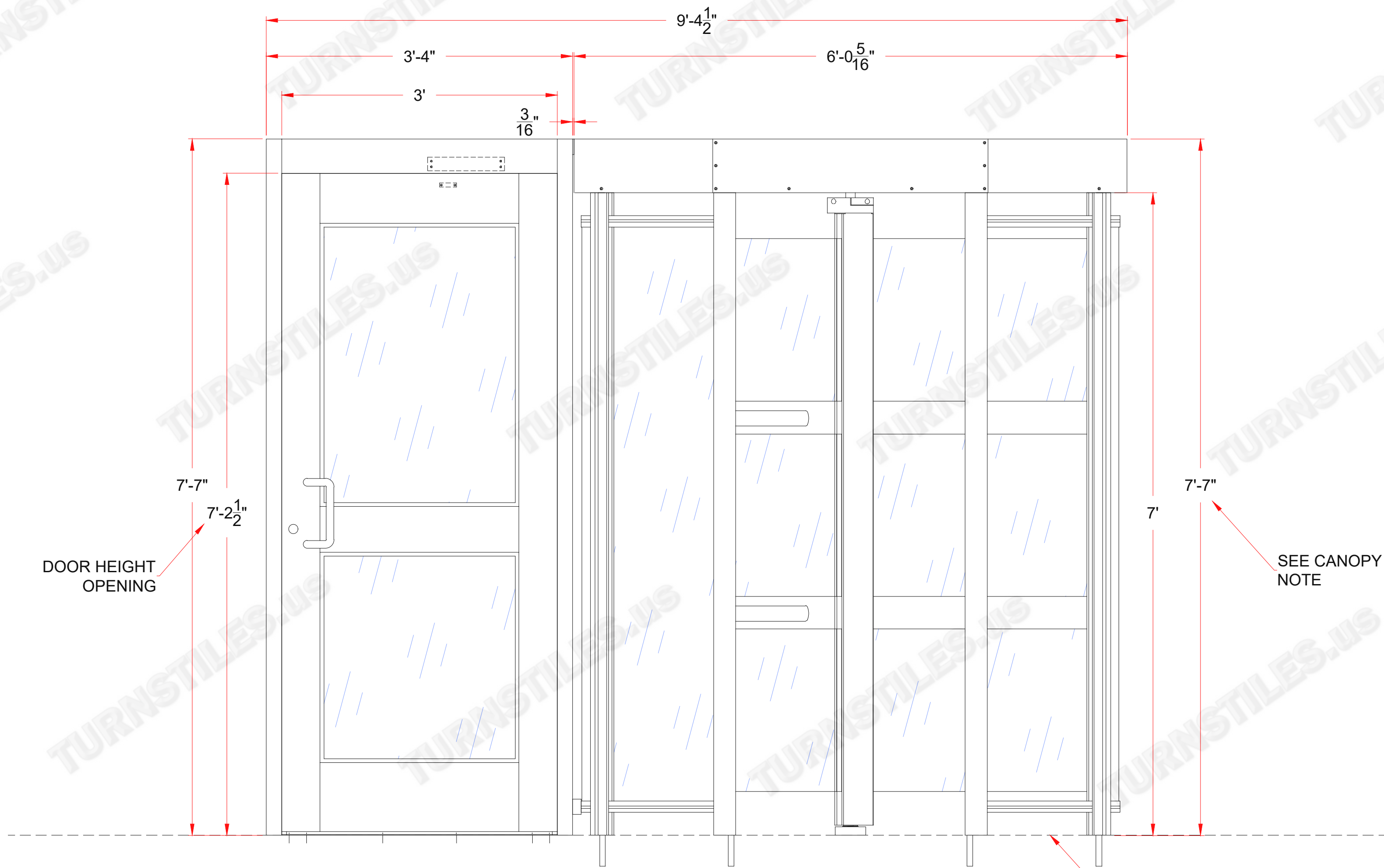


* DIMENSIONS MAY VARY SLIGHTLY IN ACTUAL INSTALLATION - FABRICATION CHANGES OR SUBSTITUTIONS RESERVED *



**ELEVATION
NON SECURE SIDE**

CANOPY NOTE:
OVERALL HEIGHT CAN VARY DUE TO PANEL HEIGHT.

NOTE:
EQUIPMENT MAY BE INSTALLED OPPOSITE OF AS SHOWN.
BRACKETS AVAILABLE FOR ATTACHING T36-ADA TO P60 AND/OR WALL.

AUTHORIZED SIGNATURE: _____ DATE: ___ / ___ / ___

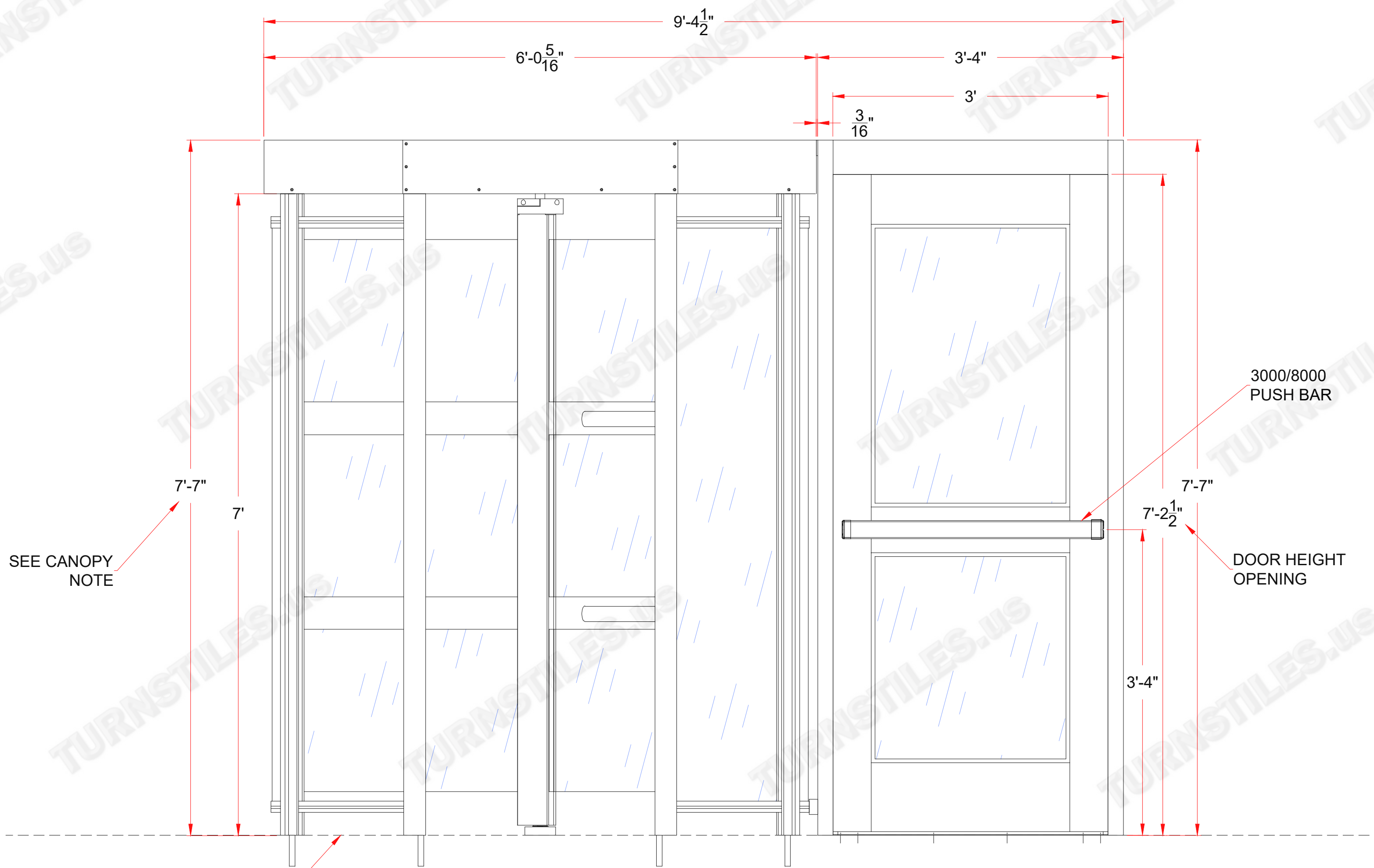
FIRST DRAWN	BY
04-20-20	CJC
REDRAWN	BY
02-18-22	CJC
REVISED	BY
03-04-22	CJC

COPYRIGHT © TURNSTILES.US
Copyright © Turnstiles.us All rights reserved. Reproduction or translation of this work without the express written permission of TURNSTILES.us is unlawful and is an infringement of intellectual property belonging to TURNSTILES.us.
All drawings and/or designs are restricted for use exclusively with a purchase, installation, and/or support from Turnstiles.us. Any other use of these materials is a violation of copyright law. Request for additional information should be addressed to the Legal Department, Turnstiles.us.

TURNSTILES.US
www.TURNSTILES.us
Call 303 670 1099 * Text 303 918 9787
patrick.mcallister@turnstiles.us

EQUIPMENT DETAIL	
P60 Turnstile / T36 ADA Detail and Dimensions	
DWG	P60 - T36 DETAIL REV A
DATE	03-04-22
SHEET - 1 OF 3	

* DIMENSIONS MAY VARY SLIGHTLY IN ACTUAL INSTALLATION - FABRICATION CHANGES OR SUBSTITUTIONS RESERVED *



**ELEVATION
SECURE SIDE**

CANOPY NOTE:
OVERALL HEIGHT CAN VARY DUE TO PANEL HEIGHT.

NOTE:
EQUIPMENT MAY BE INSTALLED OPPOSITE OF AS SHOWN.
BRACKETS AVAILABLE FOR ATTACHING T36-ADA TO P60 AND/OR WALL.

AUTHORIZED SIGNATURE: _____ DATE: ___ / ___ / ___

FIRST DRAWN	BY
04-20-20	CJC
REDRAWN	BY
02-18-22	CJC
REVISED	BY
03-04-22	CJC
COPYRIGHT © TURNSTILES.US	
Copyright © Turnstiles.us All rights reserved. Reproduction or translation of this work without the express written permission of TURNSTILES.us is unlawful and is an infringement of intellectual property belonging to TURNSTILES.us.	
All drawings and/or designs are restricted for use exclusively with a purchase, installation, and/or support from Turnstiles.us. Any other use of these materials is a violation of copyright law. Request for additional information should be addressed to the Legal Department, Turnstiles.us.	

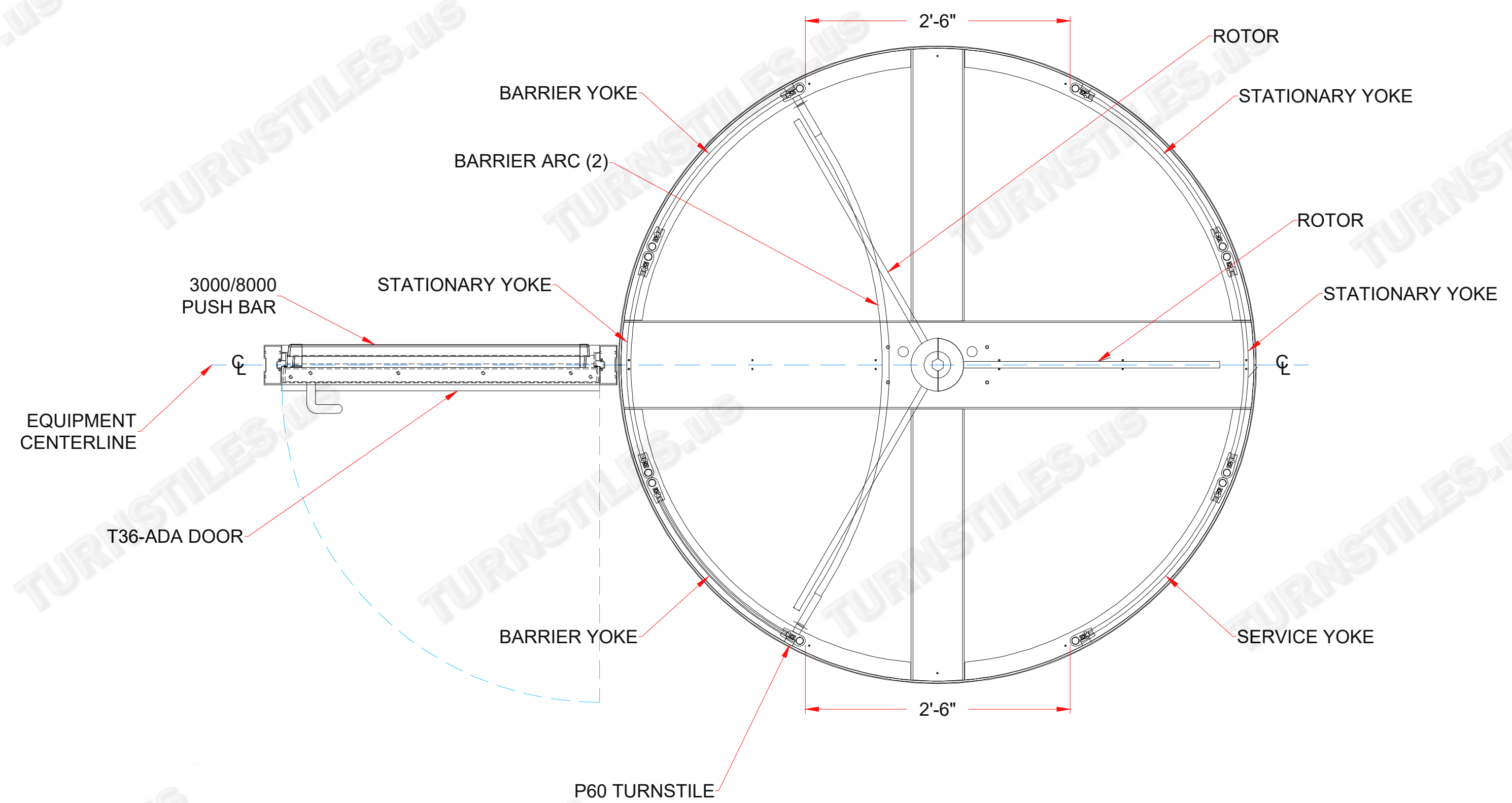
TURNSTILES.US
www.TURNSTILES.us
 Call 303 670 1099 * Text 303 918 9787
patrick.mcallister@turnstiles.us

EQUIPMENT DETAIL	
P60 Turnstile / T36 ADA Detail and Dimensions	
DWG	P60 - T36 DETAIL REV A
DATE	03-04-22
SHEET - 2 OF 3	

* DIMENSIONS MAY VARY SLIGHTLY IN ACTUAL INSTALLATION - FABRICATION CHANGES OR SUBSTITUTIONS RESERVED *

FIRST DRAWN	BY
04-20-20	CJC
REDRAWN	BY
02-18-22	CJC
REVISED	BY
03-04-22	CJC

COPYRIGHT © TURNSTILES.US
 Copyright © Turnstiles.us All rights reserved. Reproduction or translation of this work without the express written permission of TURNSTILES.us is unlawful and is an infringement of intellectual property belonging to TURNSTILES.us.
 All drawings and/or designs are restricted for use exclusively with a purchase, installation, and/or support from Turnstiles.us. Any other use of these materials is a violation of copyright law. Request for additional information should be addressed to the Legal Department, Turnstiles.us.



FLOOR PLAN

TURNSTILES.US
 www.TURNSTILES.us
 Call 303 670 1099 * Text 303 918 9787
 patrick.mcallister@turnstiles.us

EQUIPMENT DETAIL	
P60 Turnstile / T36 ADA Detail and Dimensions	
DWG	P60 - T36 DETAIL REV A
DATE	03-04-22
SHEET - 3 OF 3	

AUTHORIZED SIGNATURE: _____ DATE: ___ / ___ / ___