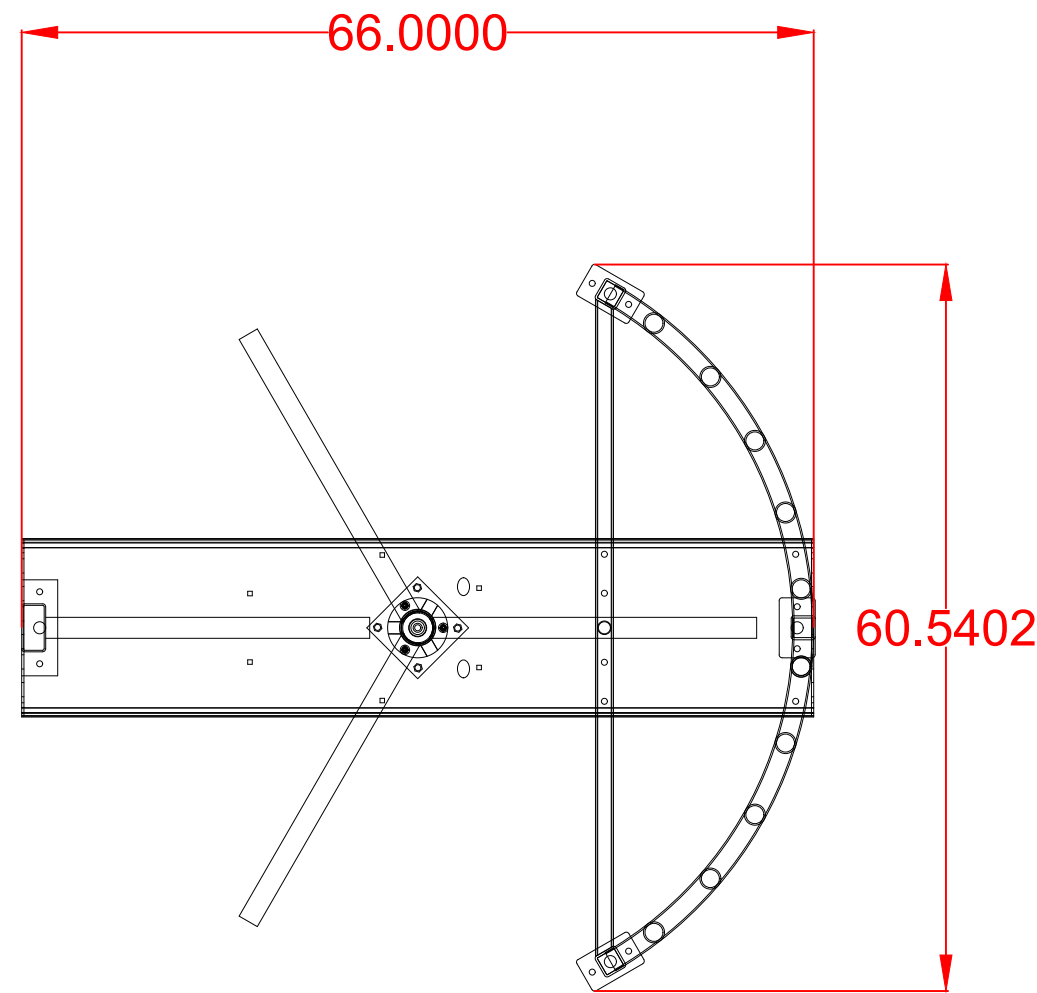


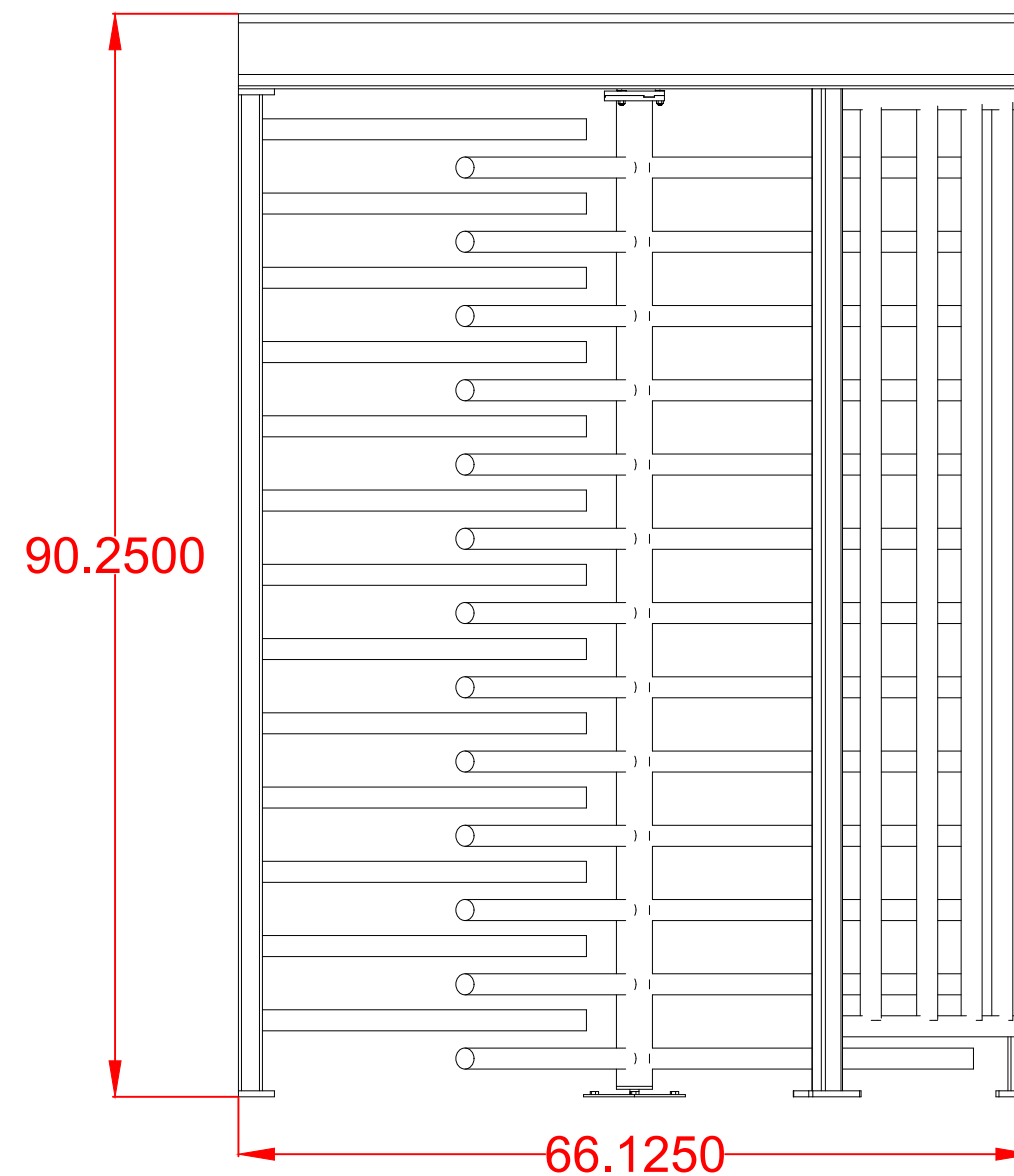


AG-30-T ELEVATIONS

DIMENSIONS MAY VARY DESIGN SUBJECT TO CHANGE



TOP VIEW



SIDE VIEW



www.TURNSTILES.us / patrick.mcallister@turnstiles.us / 303-670-1099

| | |
|-----------|----------------------|
| DWG: | AG-30-T-2D-ELEV |
| DATE: | 06/15/2020 |
| REV: | 1 |
| DRAWN BY: | JESSE JAMES MOSES JR |