

Discover 700 Series 690 HTVL-E Indoor/Outdoor Vandal-Resistant Mini-Domes



Features That Make a Difference:

- Pixim® Seawolf®* technology for best low-light performance
- 690 HTVL-E High Resolution
- Wide Dynamic Range (WDR) for clear images even under challenging environments
- 2.8-10mm or 9-22mm / F1.2 varifocal auto iris lens
- IR illuminators for operation down to 0 lux scenes (Outdoor only)
- True Day/Night (TDN) mode
- 3-axis gimbal for easy positioning
- Quick-install adapter for easy installation (Indoor only)
- Vandal-resistant and IP-rated outdoor housing
- Service jack with second video output for camera setup
- 12 programmable privacy zones
- 12VDC/24VAC

The Discover 700 Series Mini-Domes, both indoor and outdoor models, provide exceptional performance, ease of installation, and flexible configuration and mounting options. With excellent Wide Dynamic Range (WDR), True Day/Night (TDN) mode and precise color reproduction, the mini-domes accurately capture all of the critical details in a scene including highlights, shadows and everything in between while maintaining image quality and color accuracy.

Leveraging Pixim® Seawolf® technology, the Discover 700 Series Mini-Domes require just 0.1 lux of illumination to produce usable, color images at a full 30 frames per second. The cameras are the natural choice in both indoor and outdoor environments

The Pixim Seawolf technology eliminates image-compromising visual noise (i.e. glare, reflections) yielding more efficiently compressed images and saving valuable storage space on DVRs and video networks.

With an advanced, pivoting, 3-axis gimbal, the cameras can be easily positioned at exactly the right angle whether mounted on ceilings or walls. Designed for fast and efficient installation with a patent-pending, quick-install adapter, these mini-domes can be installed with minimum effort. Accessible lenses allow critical focus and focal length adjustments. The outdoor mini-dome is available with optional integrated IR illuminators for operation in situations where no visible lighting is present (0 lux).

The outdoor mini-dome includes a high-impact, vandal-resistant dome housing built to withstand the harshest environments. The camera housing is IP66-rated for complete protection against dust and other debris, and against water damage. An optional heater provides extra protection in cold weather environments.

* © 2012 Pixim Inc. All rights reserved. Pixim, the Pixim logo, and Seawolf are registered trademarks of Pixim, Inc. All other trademarks are the property of their respective owners.

Specifications

Operational

Imager	Pixim® Seawolf® D8800C 1/3" sensor
Horizontal Resolution	690 HTVL-E
Active Pixel Count (H x V)	758 x 540
Lens (Varifocal Auto Iris)	2.8-10mm: F1.2-2.4; 9-22mm: F1.2
Scanning Frequency	60Hz (NTSC); 50Hz (PAL)
Min. Scene Illumination	Day mode: 0.1 lux (50IRE, F1.2, 30fps) Night mode: 0.03 lux (non-IR domes), 0 lux (outdoor IR dome)
Iris Control	DC auto
S/N Ratio	>50dB
Synchronization	Internal or line lock
Shutter Speed	1/60-1/30, 720 sec (NTSC) 1/50-1/30, 720 sec (PAL)
IR Illuminator	850nm/20m (Outdoor only)

Controls

AGC	Day: 0-60dB, Night: 0-60dB
Wide Dynamic Range	102dB typical, 120dB max.
AES	Yes
BLC	Full range
White Balance	ATW, AWB, Manual
Auto White Balance Range	2800K-9100K (normal); 2000K-11000K (extended)
Day/Night	True Day/Night
Digital Zoom	1x - 8x
Brightness	Adjustable
Sharpness	Adjustable
Noise Reduction	3D motion adaptive
Privacy Zones	12 programmable
Mirror	Horizontal, vertical or both
Onscreen Display	Camera ID and menus

Connectors

Video Output Composite

Electrical

Voltage DC 10.8V-13.3V, AC 19.2V-28.8V
Power Consumption 2.88W (max.);
4.5W (max.) with IR and True Day/Night on

Mechanical

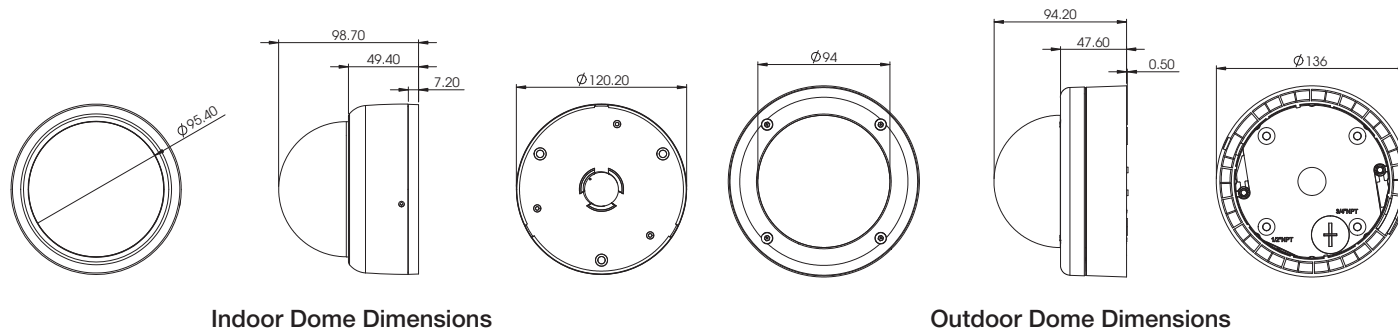
Dimensions
Indoor 120.2 x 98.7 mm (4.7 x 3.9 in)
Outdoor 136 x 94.2 mm (5.35 x 3.7 in)
Weight
Indoor 250g (0.55 lbs)
Outdoor 530g (1.17 lbs)
Housing Material Polycarbonate
Housing Color
White RAL 9003, Pantone® 705
Black RAL 9017, Pantone Process Black

Environmental

Operational Temperature
Without Optional Heater . . . -10°C to 50°C (14°F to 122°F)
With Optional Heater -40°C to 50°C (-40°F to 122°F)
Storage Temperature -20°C to 60°C (-4°F to 140°F)
Relative Humidity 90% (non-condensing)

Regulatory

IP Rating IP66
Emissions FCC: Part 15, Class B;
CE: EN61000, Class B
Immunity CE: EN50130-4
Safety NTSC: UL60950 and CSAC22.2 No. 60950
PAL: IEC60950



Ordering Information

Brand	Camera	Series	Dome	Color	Environment	Bubble	Lens	Infrared	Format
AD	CA	7	D	W = White B = Black	I = Indoor O = Outdoor	T = Tinted C = Clear	3 = 9-22mm Varifocal 4 = 2.8-10mm Varifocal 8 = 2.5-6mm Varifocal	R ¹	N = NTSC P = PAL

(1) Outdoor only

Accessories

Model	Description
ADCAHTR	Heater Kit for Outdoor Mini-Dome

Approvals

Related Products



The trademarks, logos, and service marks displayed on this document are registered in the United States [or other countries].

Product offerings and specifications are subject to change without notice. Actual products may vary from photos. Not all products include all features.
©2012 All rights reserved. AD0281-DS-201210-R01-LT-EN

8641 S. Warhawk Rd. Conifer, CO 80433
Patrick.McAllister@EntraPASS.com
(303) 670-1099 (303) 679-8949 fax