

# SF1008-WP Outdoor & Vandal Resistant Face Recognition Terminal

SpeedFace model SF1008-WP is a high-performance outdoor face recognition reader used primarily in access control applications. It combines a powerful embedded camera and ZKTeco's latest face & demographic recognition algorithm supported by an optimized dual-core processor. SF1008-WP is unmatched in accuracy, matching-speed and versatility. Advanced security and convenience, all on a single affordable platform.

By combining the latest advancements in artificial intelligence with an optimized dual-core CPU, SF1008-WP has truly reached a new height in user authentication technology. It's powerful embedded anti-spoofing engine can withstand almost all types of fake photo attacks.

SF1008-WP can store and match up to 50,000 faces in less than 0.3 seconds per face in both extreme lighting (>50,000 lux) and severe rain conditions. It's IP68 and IK04 rating ensures its reliable operation even in the most hostile environments.

In addition to face and demographic recognition, SF1008-WP is also equipped with a microwave detector which wakes up the device when a person stands within close proximity. SF1008-WP is truly the ultimate in secure, convenient, and reliable hands-free user authentication for numerous applications.



## SPECIFICATIONS:

### Capacity

Faces: 50,000 (1:N)  
 Users/Cards: 50,000  
 Transactions: 1,000,000  
 User Photos: 30,000  
 Event Photos: 10,000

### Compatibility

Security Relay Box  
 Wiegand / RS485 / RS232 Secondary  
 Reader with Fingerprint / RFID / Bar  
 code / QR-Code ZKBioSecurity  
 Software

### Hardware

900MHz Dual Core Customized AI CPU  
 512 MB RAM / 8G Flash  
 8" Bright Light (400lux) IPS Touch LCD  
 125KHz EM Reader/ 13.56MHz MF  
 (optional)  
 Adjustable Light Brightness LED  
 Hi-Fi Voice  
 Receiver Sensitivity Microphone  
 Distance detection Sensor  
 Reset Button and Tamper Switch

### Access Control Interface

Lock Relay Output  
 Alarm Output / Auxiliary Input  
 Exit Button / Door Sensor

### Special Functions

IIP68& IK04  
 0.3s High Speed Facial Verificati  
 on  
 Live Face Detection  
 Event Snapshot  
 Communication Https Encrypted  
 (optional)

### Standard Functions

Access Levels, Groups, Holidays,  
 DST, Duress Mode (password),  
 Anti-Passback, Record Query,  
 Custom Wallpaper & Screen  
 Saver, Tamper Switch Alarm

### Communication

TCP / IP  
 Wiegand Input / Output  
 Wi-Fi (optional)  
 RS485 / RS232

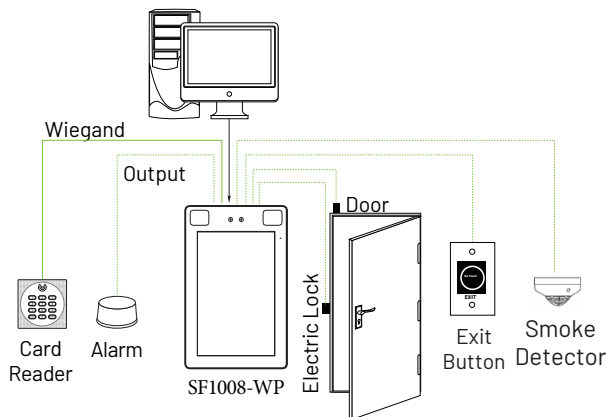
### Additional Info

Face Algorithm: ZKLiveFace  
 5.8  
 Working Temp.: -22 F to 140 F  
 Working Humidity: < 93%  
 Storage Temp: -40 F to 149 F  
 Storage Humidity: < 93%  
 Net Weight: 1.88 lbs  
 Dimension (HLD): 8.9 x 5.6 x 1  
 inches

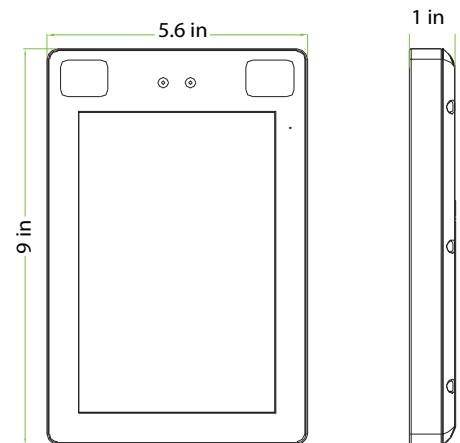
### Power

Operating Voltage 12V DC  
 Current Draw < 2,000mA

## CONFIGURATION:



## DIMENSIONS (IN):



## SF1008-WP ADJUSTABLE STAND:



Dimensions (LxWxB): 66.9 x 13.7 x 10.2 inches

Metal: Mild Steel

Coating: Powder coat

Color: Black Default

## DIMENSIONS (IN):

