



## Intelligent Swing Gate Turnstile

TPW-321ASP

Product Manual V3.2



# Content

Product Description..... 1

Structure Chart ..... 1

Dimension Figure (Unit: mm) ..... 2

Product Parameters ..... 2

Product Function ..... 3

Product Customization ..... 5

Contact Us ..... 6

## Product Description

The housing of swing gate turnstile CPW-321ASP, made of stainless steel, is durable; the mechanism modules are imported from Europe DC brushless motors and precise positioning encoders, so as to ensure swing gates can move quickly and accurately, stably and quietly, with low-power consumption, energy conservation and environment protection.

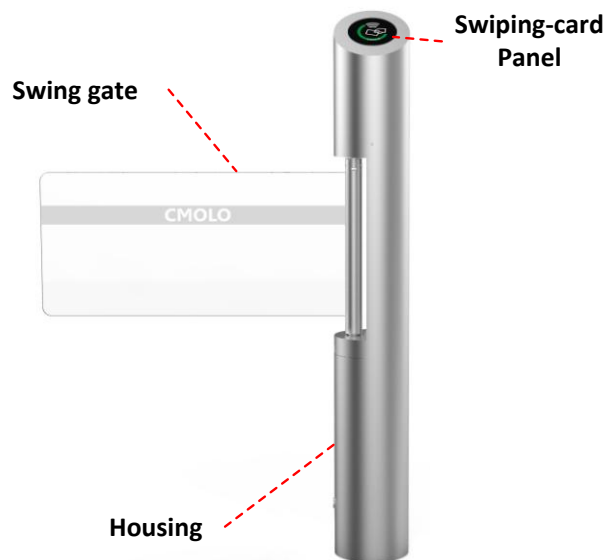
### Feature

- ✧ Use DC brushless motor and encoder instead of servo motor to achieve driving and precise positioning function, to ensure that gate can move quickly & accurately and reduce mechanical fatigue of mechanism effectively.
- ✧ Adopt multiple anti-clamping designs, such as machinery anti-clamping and advanced electric current detection anti-collision in turnstile industry, to maximally protect the personal safety of pedestrians.
- ✧ The wider lane is optional for carrying luggage and wheelchair access.
- ✧ Equipped with the dry contact signal input interface, RS485/RS232 interface, TCP/IP interface (optional), compatible with all kinds of access controllers.

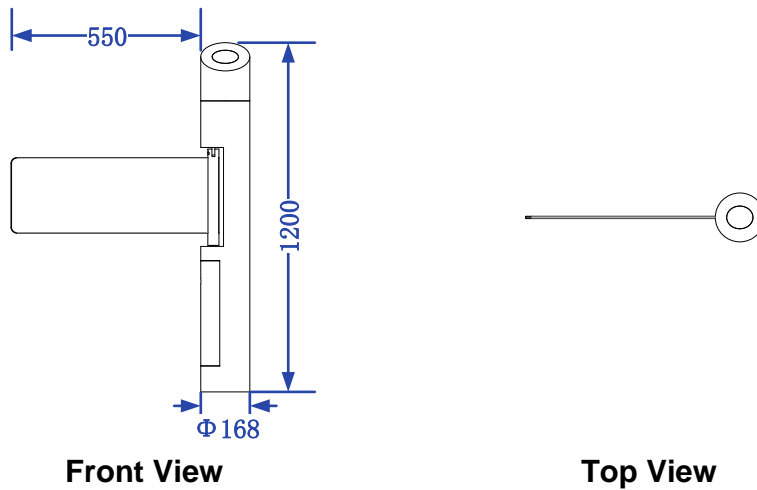
### Occasion Applications

Suitable for commercial buildings, shopping malls, exhibition halls, government buildings, financial institutions, senior clubs and other high-end indoor applications.

## Structure Chart



## Dimension Figure (Unit: mm)



## Product Parameters

Structure Parameters	
Housing material	304 grade stainless steel
Surface treatment	Brushed finish
Swing gate material	Organic glass
Technical Parameters	
Normal throughput capacity	30 ~ 45 people / min (according to the condition of pedestrians)
Evacuate throughput capacity	60 people/min (according to the condition of pedestrians)
Opening speed	0.3-0.6s
The turning angle	±90°
Operation temperature	- 20℃~60℃
Electric Parameters	
Power supply	AC100-240V, 50/60Hz
Rated power	35W
Input / Output signal	6-channel relay signal output / 8-channel dry contact signal input
Communication interface	RS485 / RS232; TCP/IP interface (customizable)
Driving motor	DC brushless motor
Positioning method	Use the encoder to position the gate accurately
Method of motor control	Use high-performance DSP chip

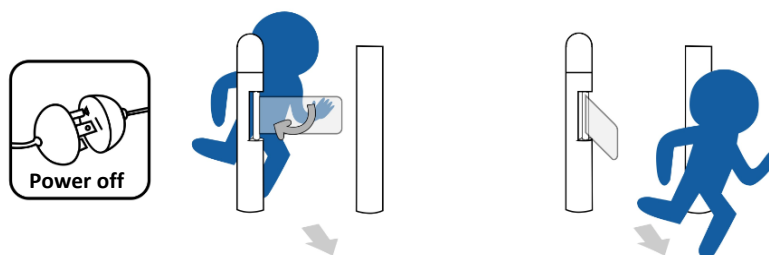
## Product Function

### ● Basic Function

- **Passing mode switching function:** The entry and exit can be set independently **【controlled mode】** / **【 free mode 】** / **【 forbidden mode】**
- **Automatic reset function:** The turnstile will open swing gates after receiving valid opening signal when standby. The arms will return to the hindered zero position automatically.
- **Self-recovery function:** The arms do not return to the hindered zero position because of human intervention. After revoking human intervention, the arms will return to the hindered zero position automatically.
- **Automatic adjustment function:** when the turnstile needs to be readjusted because of mechanical wear, the main control board can be used to adjust automatically, accurately and conveniently.
- **Memory function of passing requests:** When more than 2 passing signals are given at the same time (including the same direction and opposite direction), the system will remember all the passing requests and finish them one by one. The number can be up to 255.
- **Compatibility:** Equipped with the dry contact signal input interface, RS485/RS232 interface, TCP/IP interface (optional), compatible with all kinds of access controllers.

### ● Security Design

- **Self-check function when power on:** The system will self-check routinely and alarm when power on, and intelligently detect the key hardware and function. Find the hidden danger within the shortest time!
- **Open gate when power off:** Adopt the leading mechanical structure by original creation; the system will automatically make swing gates unlocked when power off and pedestrians can push the gate to be open so as to facilitate evacuation, which meets the firefighting requirement.



➤ **Anti-clamping function:**



Mechanical anti-clamping

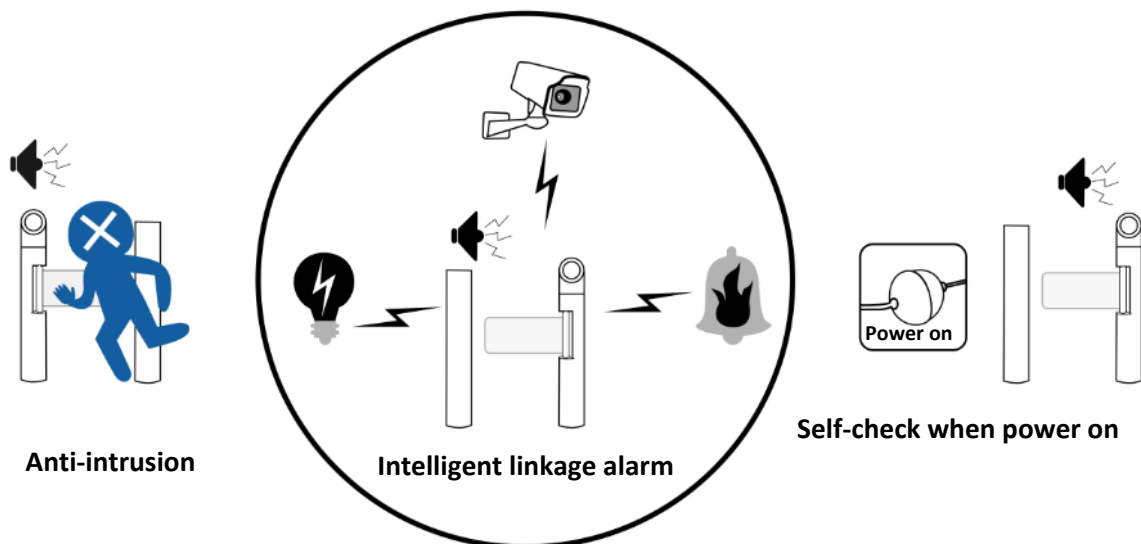
(1) Machinery anti-clamping: In the process of operation, the swing gate will automatically stop when it encounters obstacles and the impact force is in the safety range.

(2) Electric current detection anti-clamping: if the gate encounters obstacles during its moving, and the system detects the abnormal current, the motor will stop or reversely move to prevent clamping pedestrian.

➤ **Force feedback control function:** The swing gate in the state of lock can withstand the impact force of the safety range. When a sudden impact force is applied beyond the safety range, the swing gate can be pushed slowly to protect the machine and pedestrians effectively. After revoking human intervention, the swing gate will reset automatically.

➤ **Emergency escape function:** Equipped with emergency escape control device, the system can open automatically in order to facilitate the evacuation the crowd.

➤ **Intelligent linkage alarm:** Illegal traffic events can be linked with other alarm monitoring equipment: such as access control systems, video management systems.



Anti-intrusion

Intelligent linkage alarm

Self-check when power on

## Product Customization

### ● Customized Functions

- Built-in or external counter
- TCP / IP communication

### ● Gate open button

- External gate open button.
- Install the gate open button with wireless remote control.
- The customized intelligent sensor system to open / close automatically when a user approaches / leaves.

### ● Lane width

- The lane width can be custom-made for larger size and the maximum can be 1200mm. But the swing gate must be stainless steel.

### ● Materials

- The material of housing can be 316 grade stainless steel, and the thickness of stainless steel can be customized.
- The material of the swing gate can be tempered glass / organic glass / polycarbonate / 304 grade stainless steel, and color can be customized.

### ● System Integration

- Integrate with access control system and built-in reader appointed by customers.
- Integrate with visitor access control system.
- Integrate with ticketing system.

