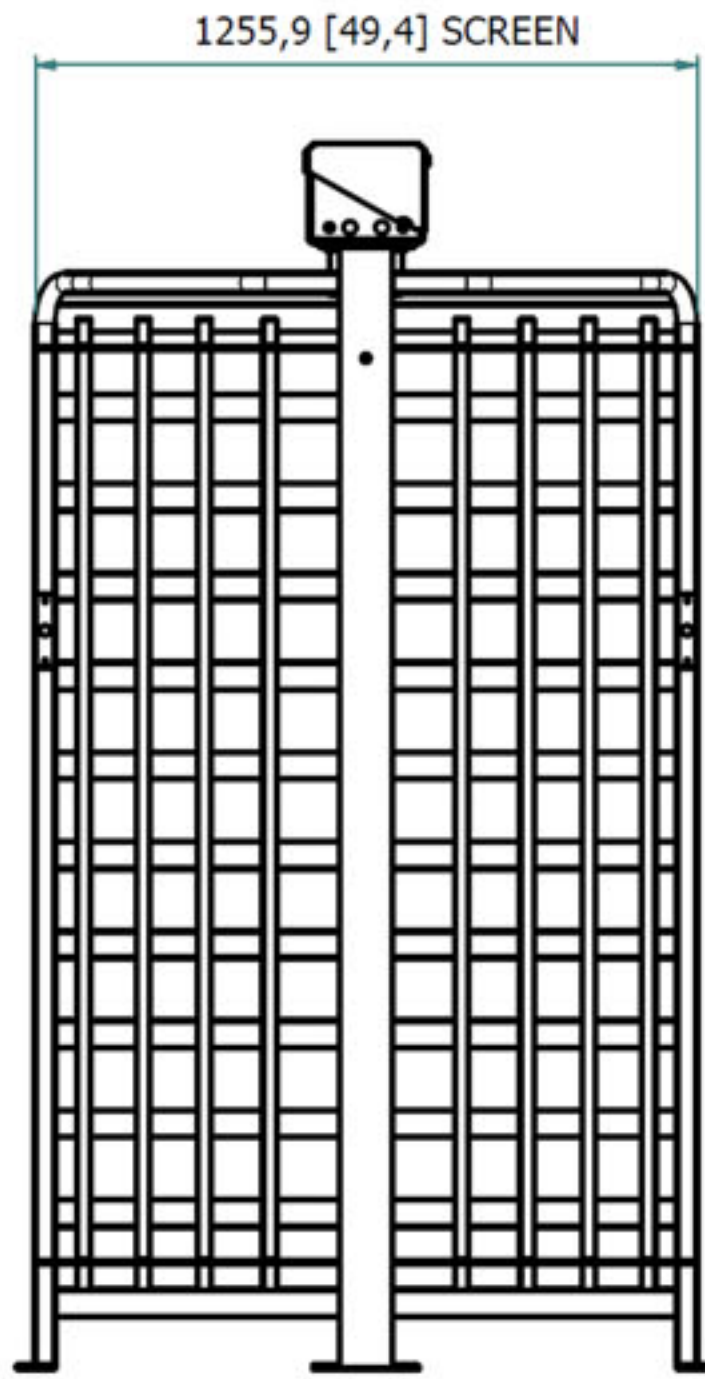
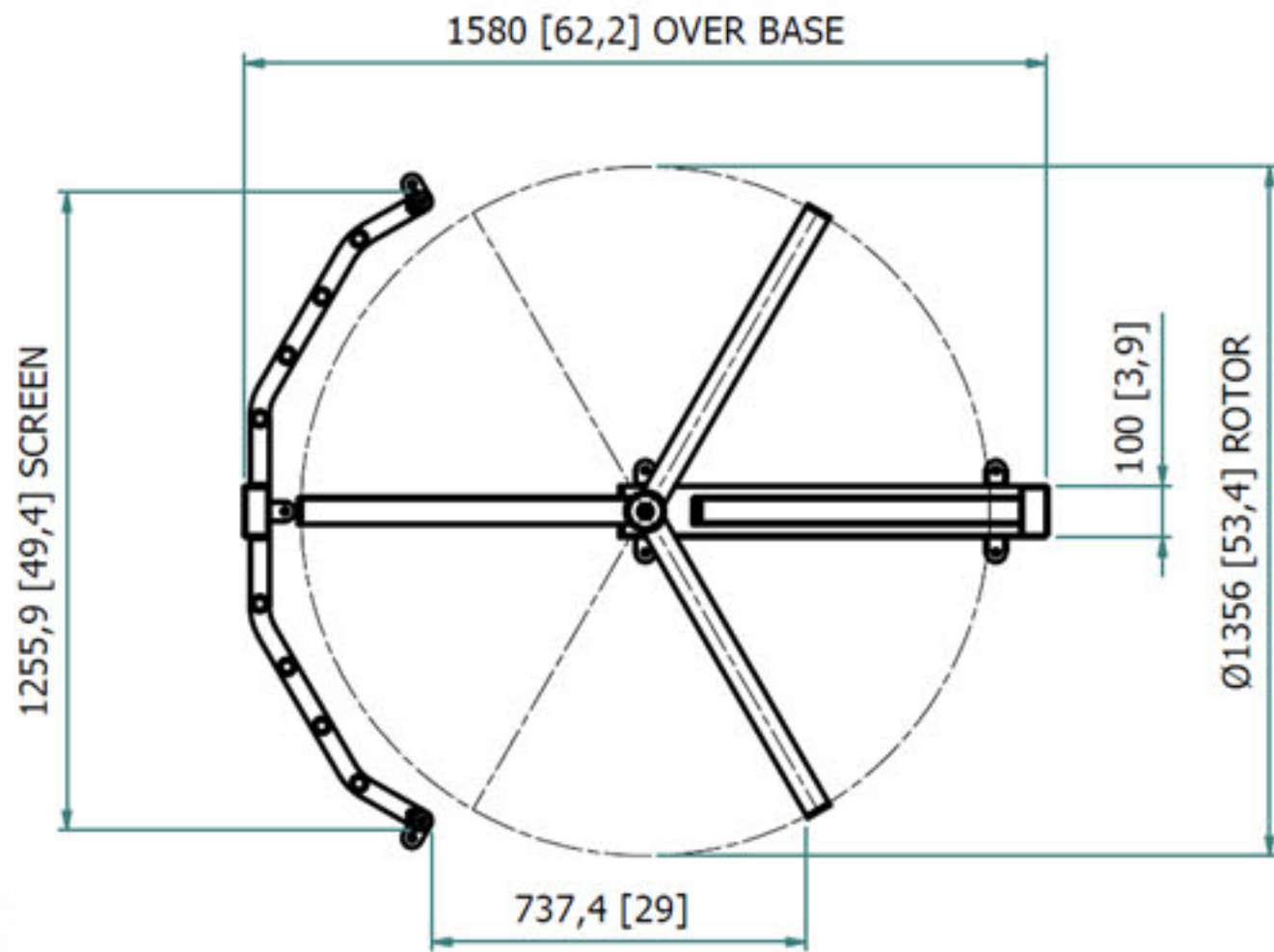


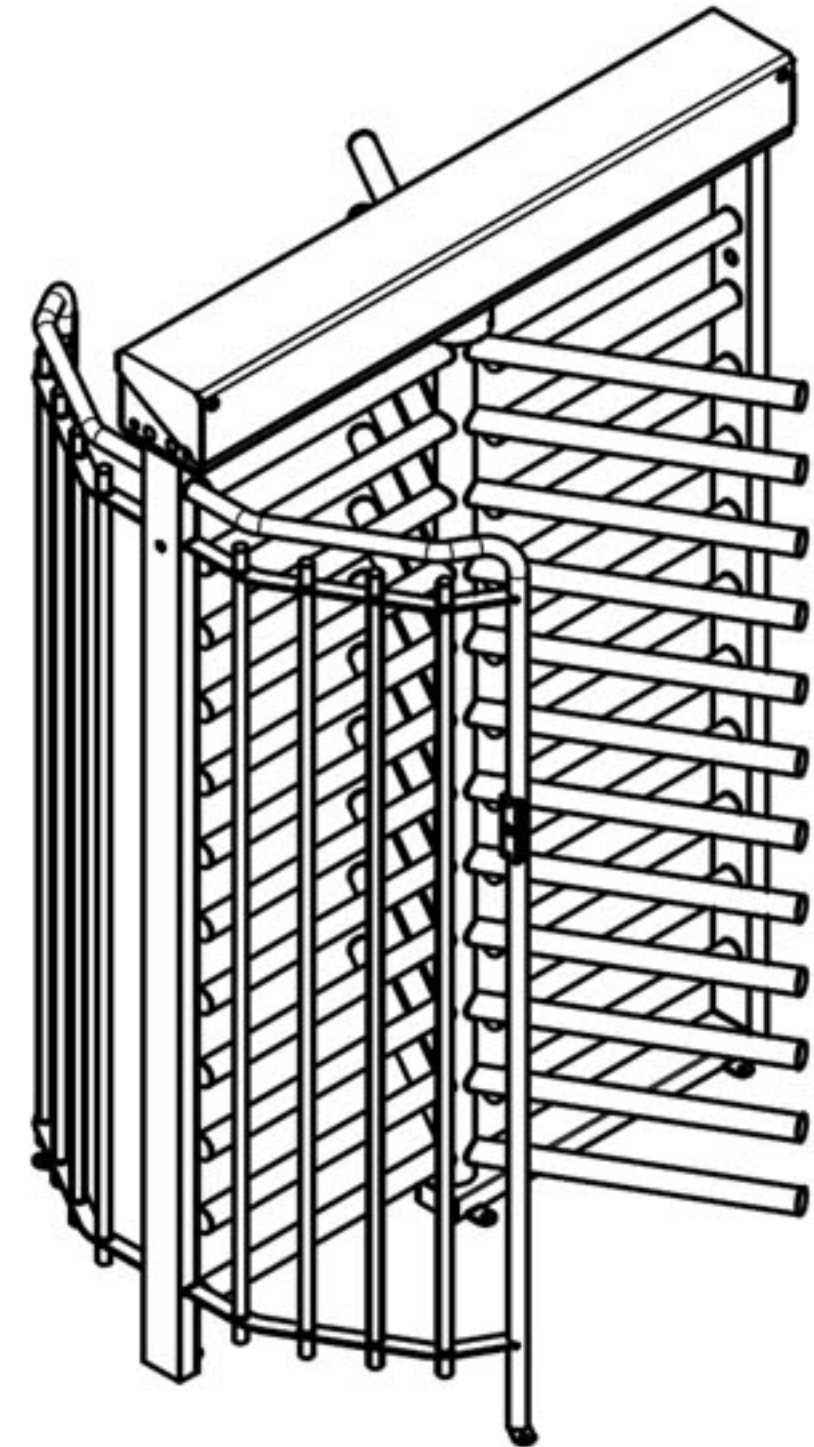
FRONT



SIDE (L)



SECTION: A-A



ISOMETRIC (TL)

AUTHORIZED SIGNATURE: _____ DATE: ___ / ___ / ___

FIRST DRAWN	BY
04/03/2024	RJI
REVISED	BY

COPYRIGHT © TURNSTILES.US
 Copyright © Turnstiles.us All rights reserved. Reproduction or translation of this work without the express written permission of TURNSTILES.us is unlawful and is an infringement of intellectual property belonging to TURNSTILES.us. All drawings and/or designs are restricted for use exclusively with a purchase, installation, and/or support from Turnstiles.us. Any other use of these materials is a violation of copyright law. Request for additional information should be addressed to the Legal Department, Turnstiles.us.

TURNSTILES.US
 www.TURNSTILES.us
 Call 303 670 1099 * Text 303 918 9787
 patrick.mcallister@turnstiles.us

TITAN SINGLE 3-ARM
 29" Passage
 Equipment Dimension Detail

DWG
 TITAN SINGLE 3-ARM
 29" Passage EDD ELD

DATE 04/03/2024

SHEET 1 OF 2

1

2

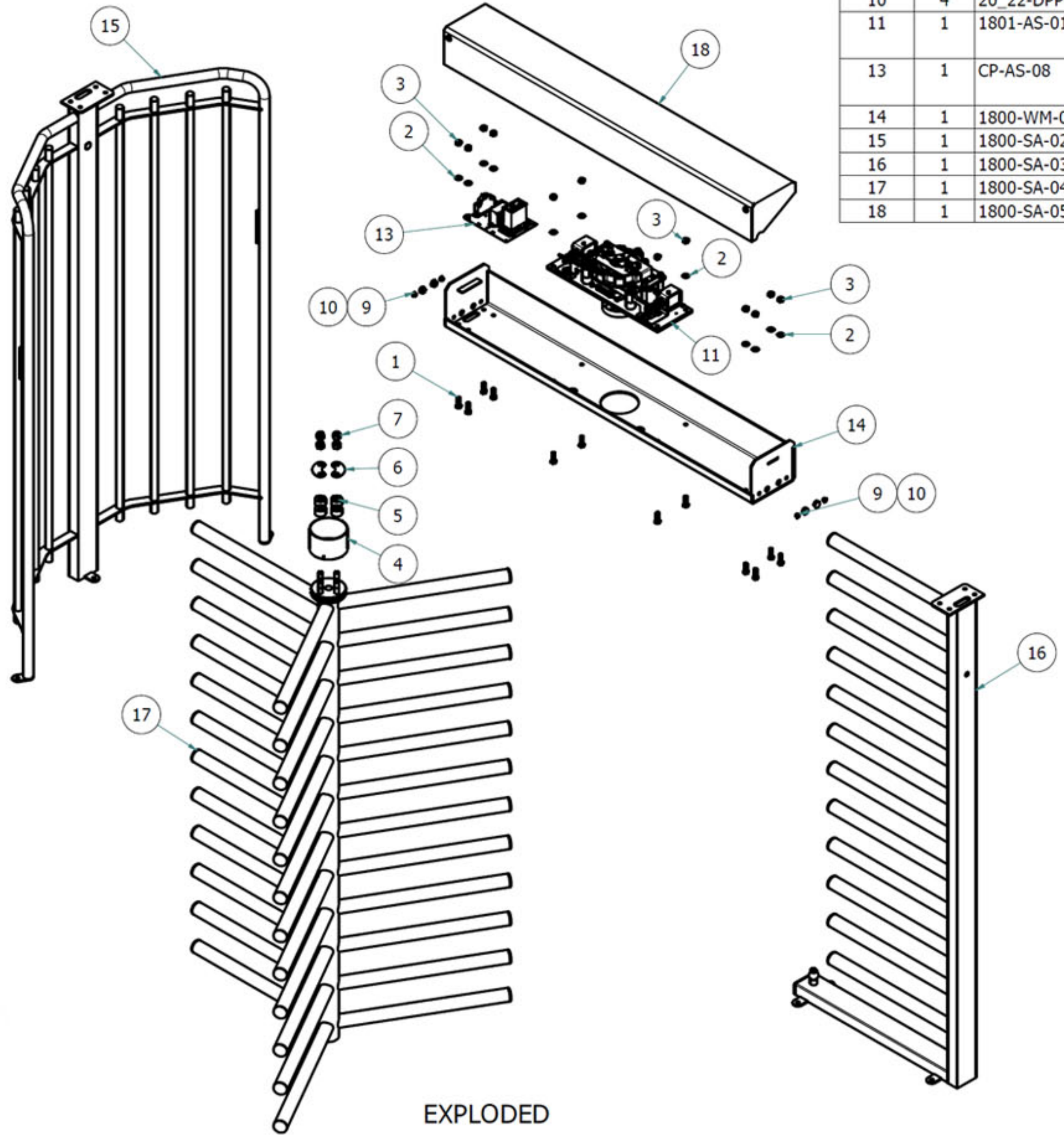
3

4

PARTS LIST			
ITEM	QTY	PART NUMBER	DESCRIPTION
1	12	M12x35-HSS-ZP	M12x35 HEX SET SCREW, 4.8, ZP
2	12	M12x24-PFW-ZP	M12x24 PLAIN FLAT WASHER, ZP
3	12	M12-HN-ZP	M12 HEX NUT, ZP
4	1	FHT-SA-01	TOP DISK SLEEVE ASSEMBLY
5	4	FHT-PT-02	RUBBER DISK BUFFER, 40 OD x 16 ID x 25mm
6	2	FHT-LC-33	BEAN WASHER
7	4	M16-NHN-ZP	M16 NYLOCK HEX NUT, ZP
9	4	13-PP-BL	DIA 13 INTERNAL PANEL PLUG, BLACK HDPE
10	4	20_22-DPP-BL	DIA 20-22 DOME PANEL PLUG, BLACK HDPE
11	1	1801-AS-01	3-ARM FAIL SAFE FHE MECHANISM WITH RATE CONTROLLER
13	1	CP-AS-08	FULL HEIGHT CONTROL PANEL ASSY (BLUE LOGIC) WITH STRAP
14	1	1800-WM-02	SINGLE TOP CHANNEL WELDMENT
15	1	1800-SA-02	3-ARM SCREEN ASSEMBLY
16	1	1800-SA-03	TITAN SINGLE COMB ASSEMBLY
17	1	1800-SA-04	TITAN 3 SINGLE ROTOR ASSEMBLY
18	1	1800-SA-05	

FIRST DRAWN	BY
04/03/2024	RJI
REVISED	BY

COPYRIGHT © TURNSTILES.US
 Copyright © Turnstiles.us All rights reserved. Reproduction or translation of this work without the express written permission of TURNSTILES.us is unlawful and is an infringement of intellectual property belonging to TURNSTILES.us. All drawings and/or designs are restricted for use exclusively with a purchase, installation, and/or support from Turnstiles.us. Any other use of these materials is a violation of copyright law. Request for additional information should be addressed to the Legal Department, Turnstiles.us.



EXPLODED

AUTHORIZED SIGNATURE: _____ DATE: ___/___/___

TURNSTILES.US
 www.TURNSTILES.us
 Call 303 670 1099 * Text 303 918 9787
 patrick.mcallister@turnstiles.us

TITAN SINGLE 3-ARM 29" Passage Equipment Dimension Detail	
DWG	TITAN SINGLE 3-ARM 29" Passage EDD ELD
DATE	04/03/2024
SHEET 2 OF 2	

1

2

3

4