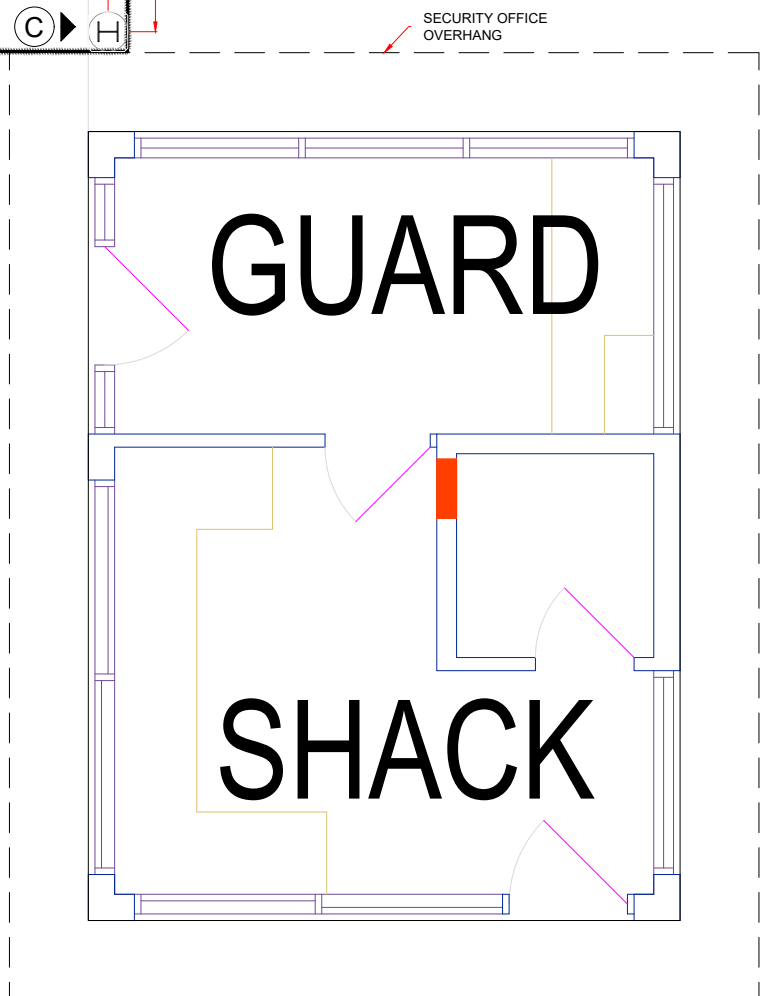
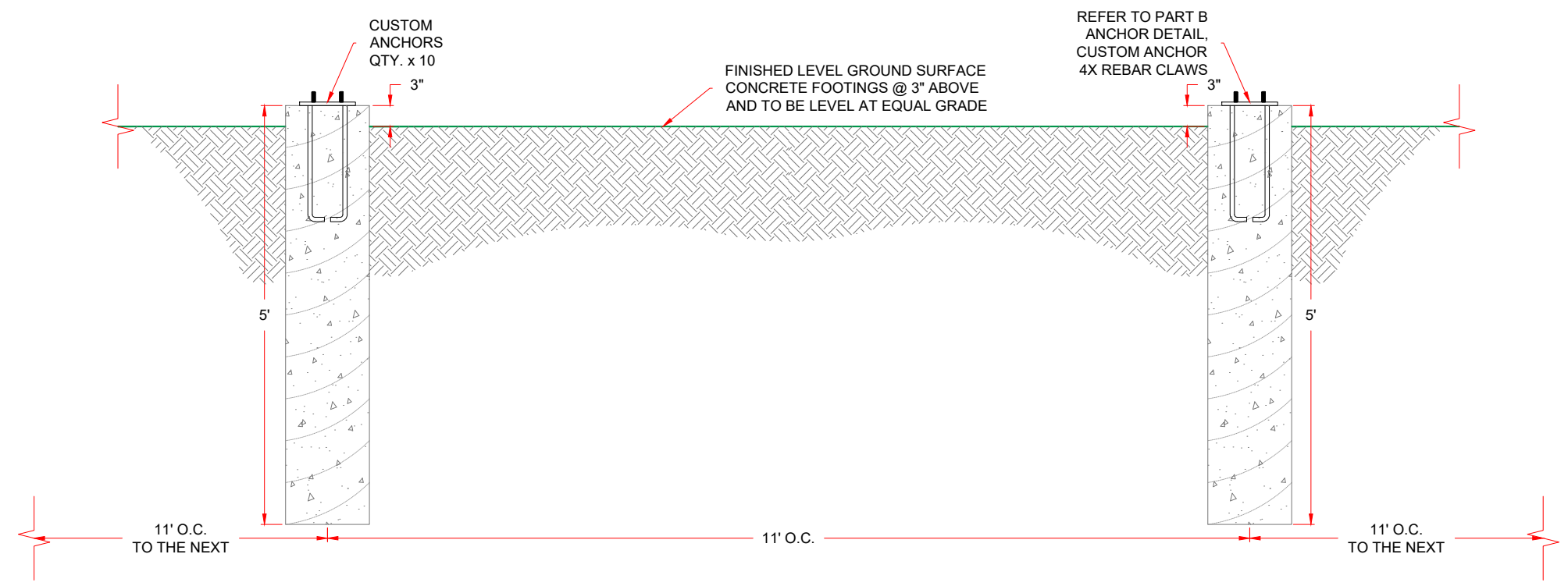


C x10
REFERENCE
COLUMN, CAISSON, AND ANCHOR DETAIL

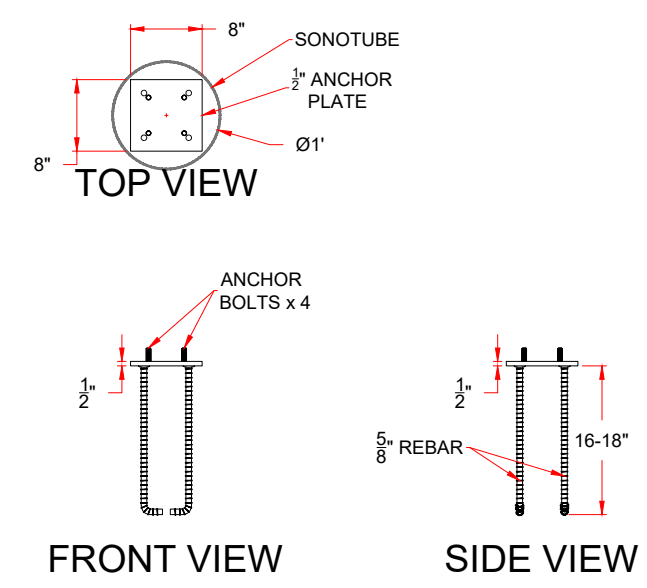
CAISSON PLAN
(columns only)



C COLUMN, CAISSON, AND ANCHOR DETAIL PART A
TWO OF FIVE PER SIDE - SHOWN



C COLUMN, CAISSON, AND ANCHOR DETAIL PART B



KRAFT - HEINZ
DETAILS AND DIMENSIONS OF
CONCRETE CAISSONS & ANCHOR PLATES
FOR ENTRANCE WALKWAY SHELTER

WWW.TURNSTILES.us
COPYRIGHT © TURNSTILES.US
Copyright © Turnstiles.us All rights reserved. Reproduction or translation of this work without the express written permission of TURNSTILES.us is unlawful and is an infringement of intellectual property belonging to TURNSTILES.us. All drawings and/or designs are restricted for use exclusively with a purchase, installation, and/or support from Turnstiles.us. Any other use of these materials is a violation of copyright law. Request for additional information should be addressed to the Legal Department, Turnstiles.us.

Patrick McAllister
8641 S. Warhawk Rd.
Conifer, CO 80433
Tel: 303-670-1099