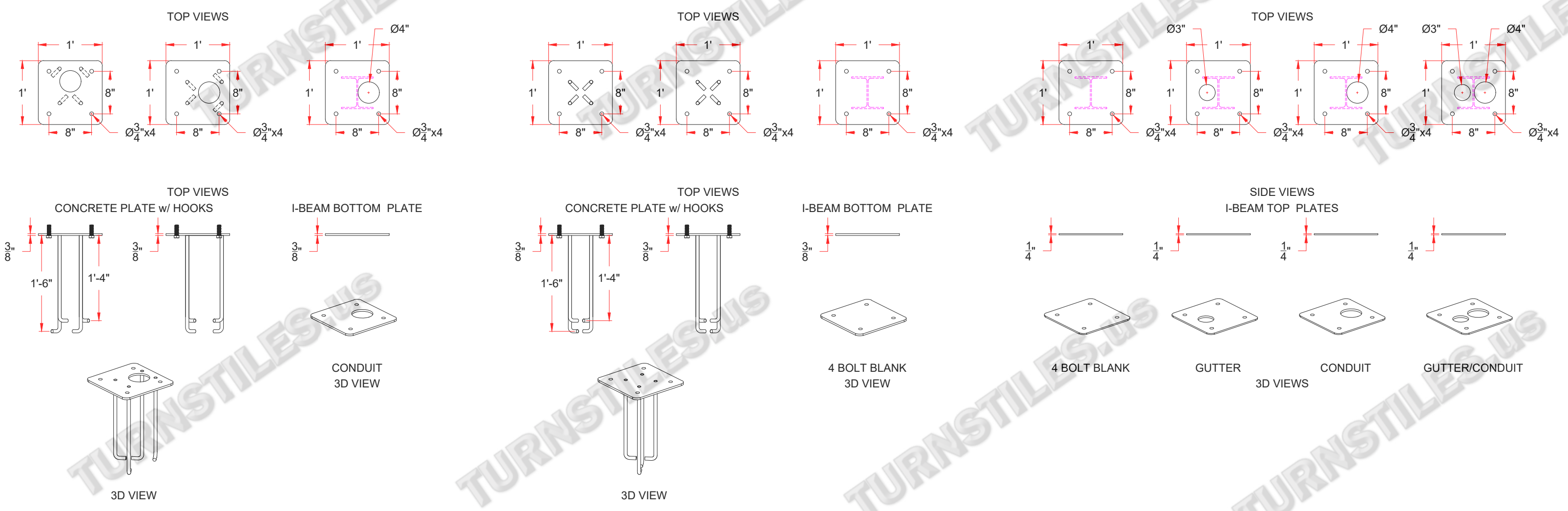


* DIMENSIONS MAY VARY IN ACTUAL INSTALLATION - FABRICATION CHANGES RESERVED - SIMILAR EQUIPMENT MAY BE SUBSTITUTED *

FIRST DRAWN	BY
06-11-20	CJC
REVISED	BY
07-30-20	CJC
08-30-20	CJC
09-29-20	CJC

COPYRIGHT © TURNSTILES.US
 Copyright © Turnstiles.us All rights reserved. Reproduction or translation of this work without the express written permission of TURNSTILES.US is unlawful and is an infringement of intellectual property belonging to TURNSTILES.US.
 All drawings and/or designs are restricted for use exclusively with a purchase, installation, and/or support from Turnstiles.us. Any other use of these materials is a violation of copyright law. Request for additional information should be addressed to the Legal Department, Turnstiles.us.



TURNSTILES.US
 www.TURNSTILES.us
 Call 303 670 1099 * Text 303 918 9787
 patrick.mcallister@turnstiles.us

KRAFT-HEINZ CONCRETE PLATES & I-BEAM TOP & BOTTOM PLATES FOR CANOPY ASSEMBLY DETAILS & DIMENSIONS	
DWG	09-29-20 KRAFT-HEINZ CONCRETE & I-BEAM PLATES DET REV C
DATE	09-29-20
SHEET - 1 OF 1	

AUTHORIZED SIGNATURE: _____ DATE: ___ / ___ / ___