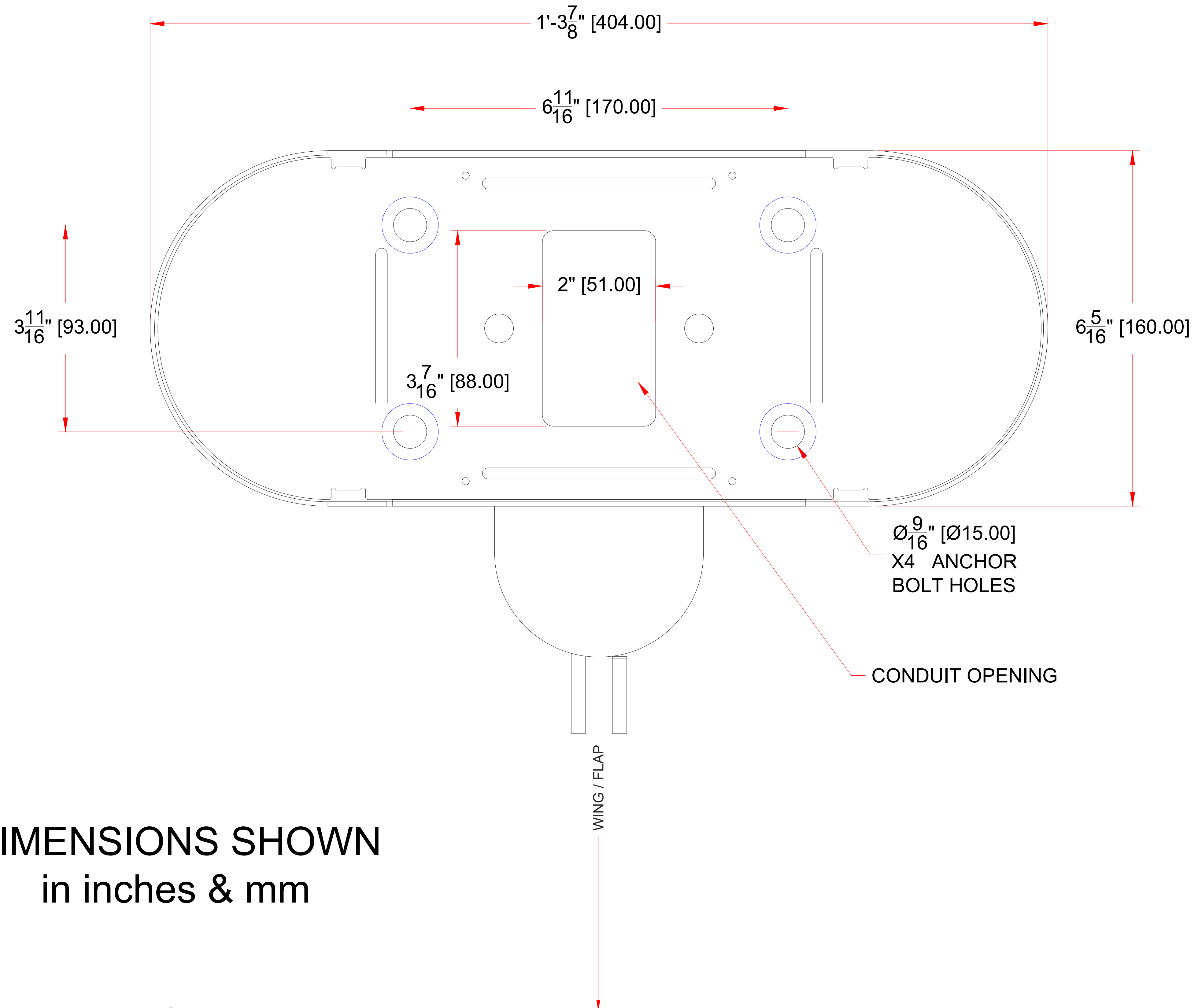


# D•TOWER BASE ANCHOR DETAIL



DIMENSIONS SHOWN  
in inches & mm

Paper size = 22"H x 34"W

Scale: 1-1