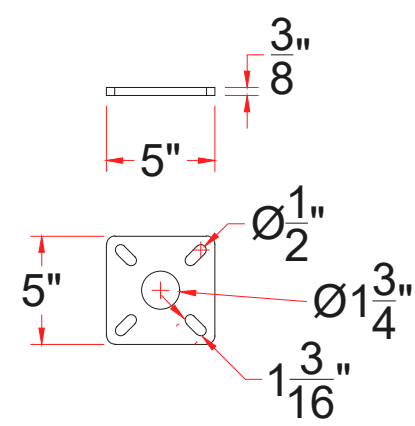
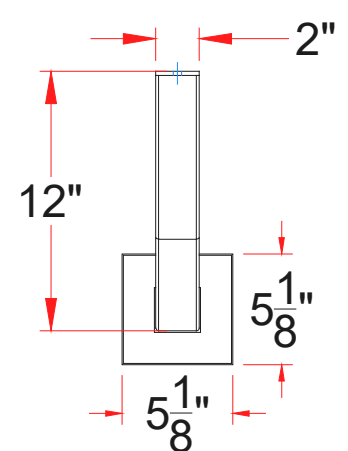
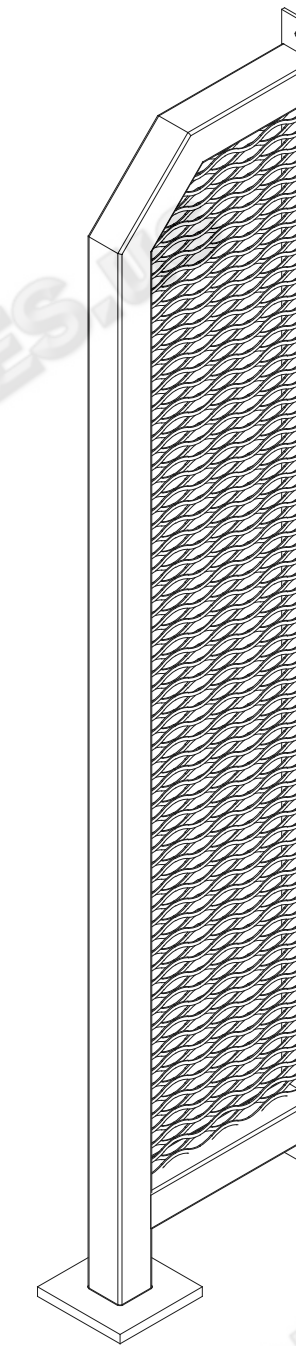
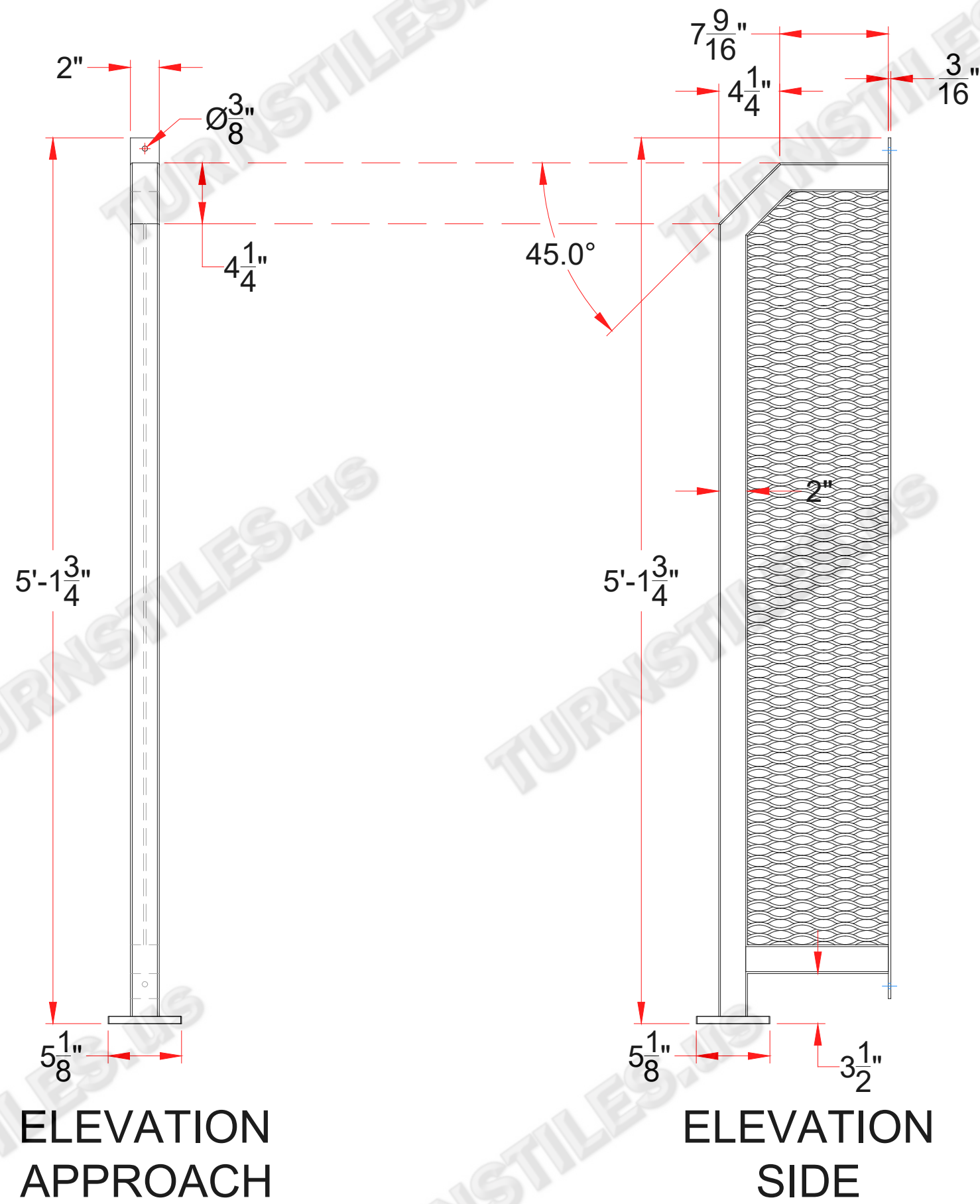


*** DIMENSIONS MAY VARY SLIGHTLY IN FABRICATION - DESIGN CHANGES OR SUBSTITUTIONS RESERVED ***



ISOMETRIC VIEW

TOP VIEW
w/ BASE
COVER

BASE
PLATE
DETAIL

FIRST DRAWN	BY
01-31-24	CJC
REVISED	BY

COPYRIGHT © TURNSTILES.US
 Copyright © Turnstiles.us All rights reserved. Reproduction or translation of this work without the express written permission of TURNSTILES.US is unlawful and is an infringement of intellectual property belonging to TURNSTILES.US.
 All drawings and/or designs are restricted for use exclusively with a purchase, installation, and/or support from Turnstiles.us. Any other use of these materials is a violation of copyright law. Request for additional information should be addressed to the Legal Department, Turnstiles.us.

TURNSTILES.US
 SECURING THE USA and the GLOBE since 1989
www.TURNSTILES.us
 Call: 303-670-1099 | Text: 303-918-9787
patrick.mcallister@turnstiles.us

Equipment Detail	
ANTI-REACH BARRIER FOR FULL HEIGHT ADA SWING GATE	
DRAWING:	
ANTI-REACH BARRIER DETAIL	
DATE:	01-31-24
PAGE:	1 OF 1