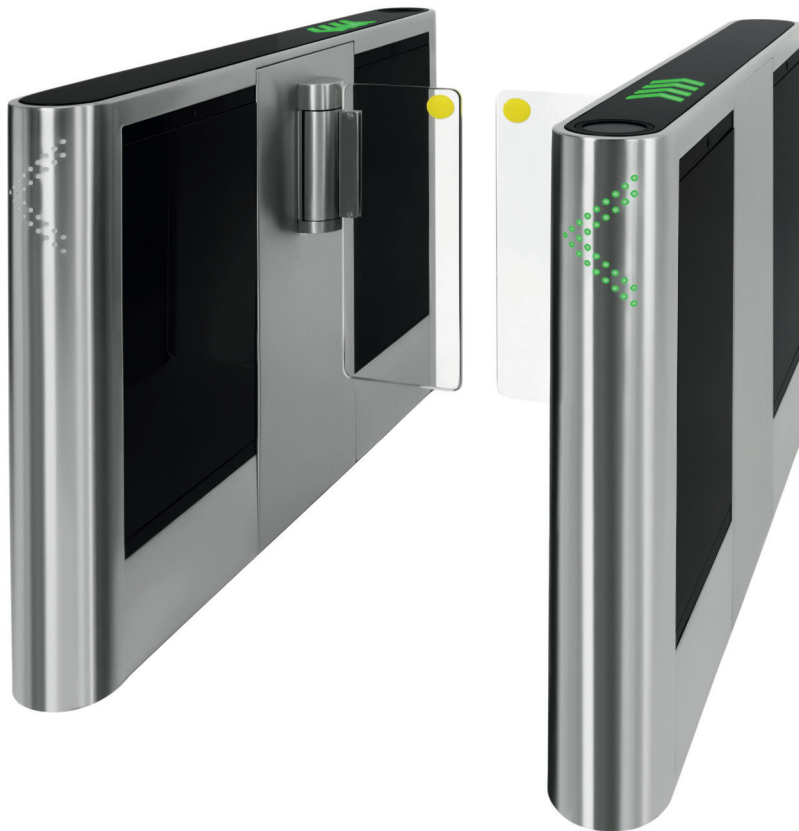


dGate



Swing Gate Doors

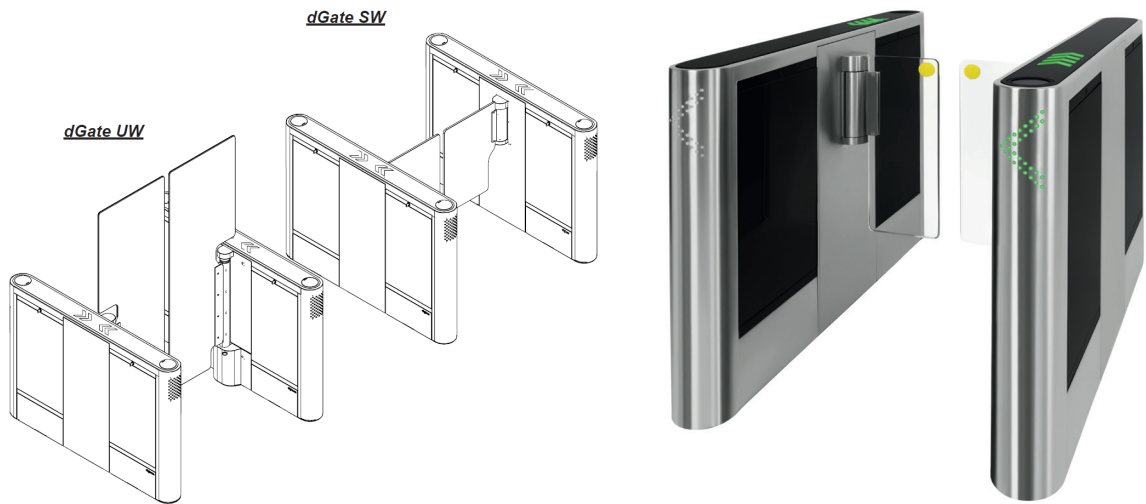
The dGate is the result of the intense analysis of global architectural and design trends associated with thorough mechanical, electrical and electronic engineering. It offers sophistication and reliability, with 90 degree swing gate doors, which offer more comfort to the user.

TECHNICAL FEATURES

- Cabinet in brushed stainless steel AISI 304 made of 0,079 in (2 mm) plate;
- Swing gate doors, in Polycarbonate, 0,47 in (12 mm) thick;
- Internal side doors, with key locks, to ease access for maintenance and configuration purposes;
- Dedicated microprocessor controls acceleration and deceleration of the door's movement speed, optimizing the passage flow;
- High performance silent and brushless motor;
- Encoder motor board provides precise positioning of its doors;
- Indicators for visual and audible alarm;
- Anti-fraud detection with audible alarm detects piggy-back and tailgating attempts, unauthorized access and backward movements;
- Direction control: enables two-way operation, can be configurable to work in different directions of passage;
- Anti-panic feature: in case of an emergency (no power), doors remain tensionless to grant free flow to all users
- Gate cabinet has large internal space to integrate access controller and/or other devices;
- Full range power input (90 to 240VAC);
- Consumption: 25W (standby) and 300W (operating)
- Upper pictogram with RGB LED high brightness, with individual brightness control for each color;
- Front pictogram with bicolor LEDs, with individual brightness control for color;
- Passage control performed by 10 infrared sensors

MODEL

Swing Gate Doors



DIMENSIONS

