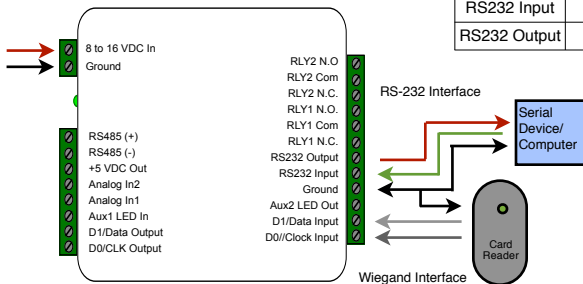


QUICKSTART

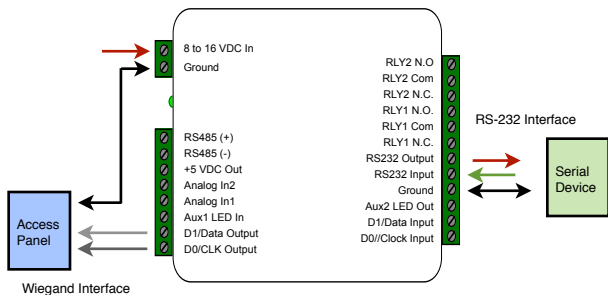
This document provides a quick reference to the typical RS232 to Wiegand and other converter connections. For detailed information on specific functions and dip switch settings refer to the operations manual.

Wiegand to Serial RS-232

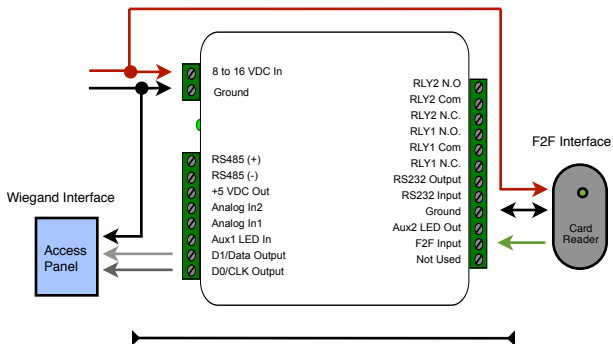
UNIT	DB9
Ground	5
RS232 Input	3
RS232 Output	2



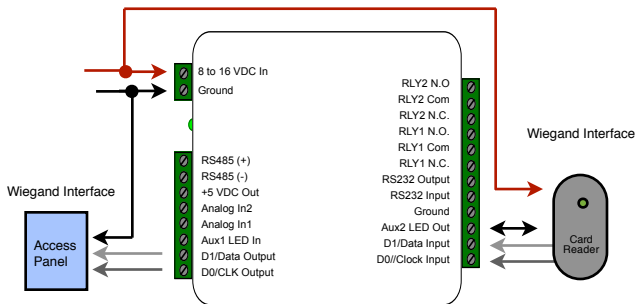
Serial RS-232 to Wiegand



F2F to Wiegand



Wiegand to Wiegand



When connecting wiegand readers, the devices must have a common ground.

The diagnostic LED will provide the operational status of the converter:

- Diagnostic LED OFF - No power
- Diagnostic LED Blinking Green - Unit is operating normally
- Diagnostic LED Red - Undefined DIP Switch Setting

F2F connections are one wire and UNSUPERVISED ONLY.

The typical RS-232 communications are 9600, 8, N, 1

The unit is shipped in a Wiegand test mode, dipswitch switch 6 on.

