

IT'S LIKE HAVING A 30,000 MILE EXTENSION CORD

Web Controlled Relay



INSTANT WEB CONTROL



If you need a simple solution to monitor and control devices over a network, with rock solid performance, THIS IS IT!

Web Relay is an electro-mechanical relay with a built in web server. It can be controlled via the Internet or a local intranet.

With Web Relay you can control anything from lights in a home, to pumps and motors in a factory (and everything in between).

Web Relay has an optically isolated input that can be used to monitor the state of devices, control the local relay, or control a remote relay somewhere else on the network. This feature is useful to extend the output of a PLC to another building or to allow a switch to control a device in another state.

Features:

No programming required

Control using a standard web browser, text-based XML page, or Modbus/TCP

Use two devices for control without a computer

Web browser based configuration, automatically builds a control web page

Password protected

12Amp, 125V relay contacts

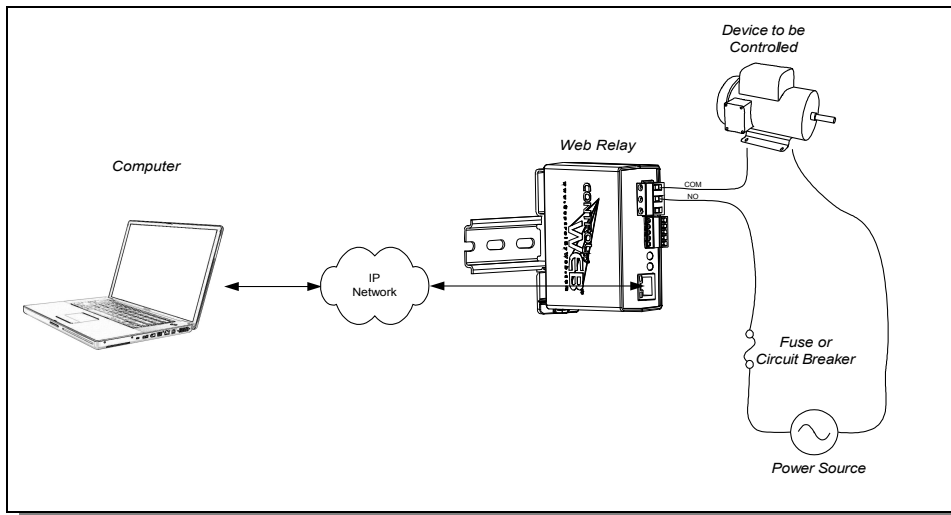
Optically-isolated input

Small package, completely self contained

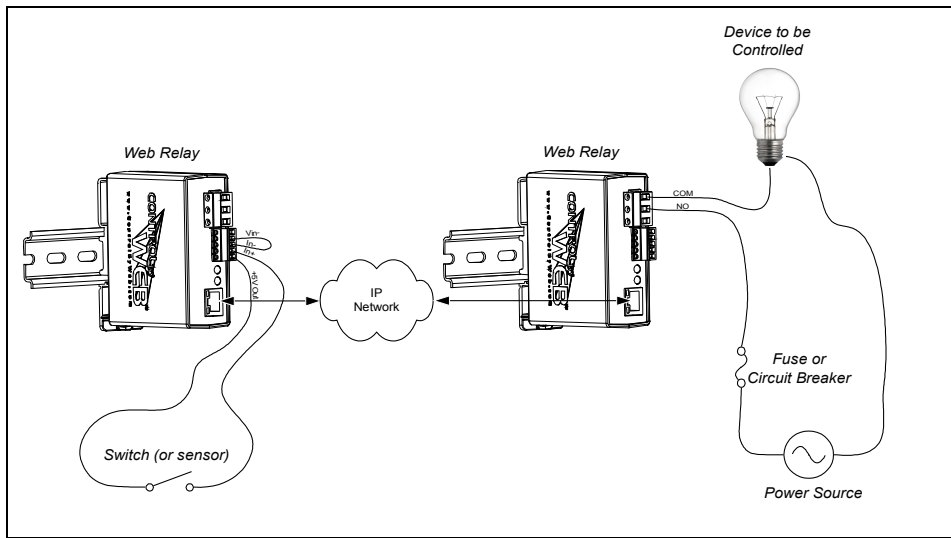
Removable terminal connectors for simple wiring (included)

Optional Power Over Ethernet (802.3af) models available. Eliminates the need for a local power supply

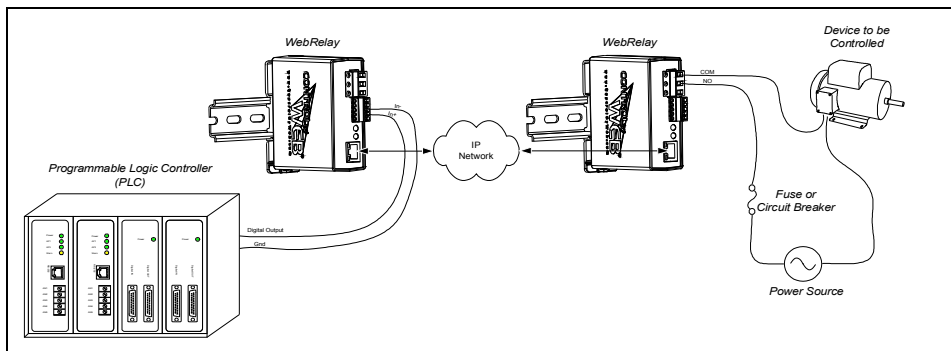




Single unit. The Web browser controls the motor on the right.



Dual units. The switch on the left controls the lamp on the right.



Dual units. The PLC on the left controls the motor on the right.