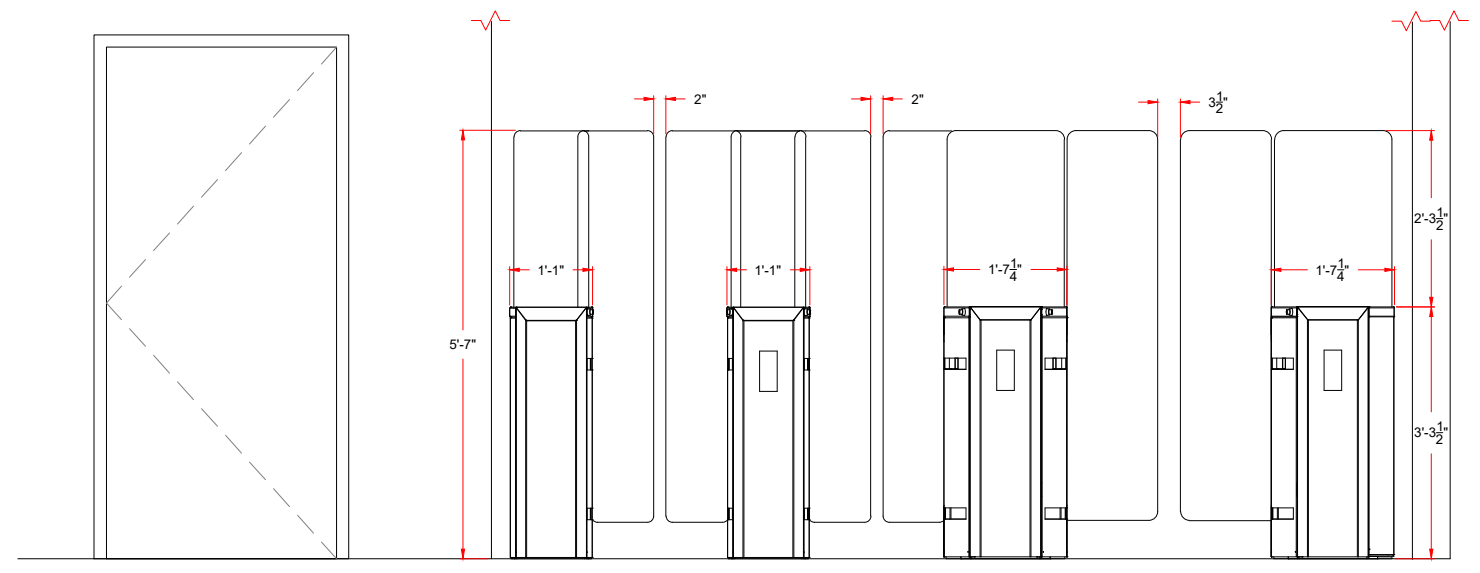


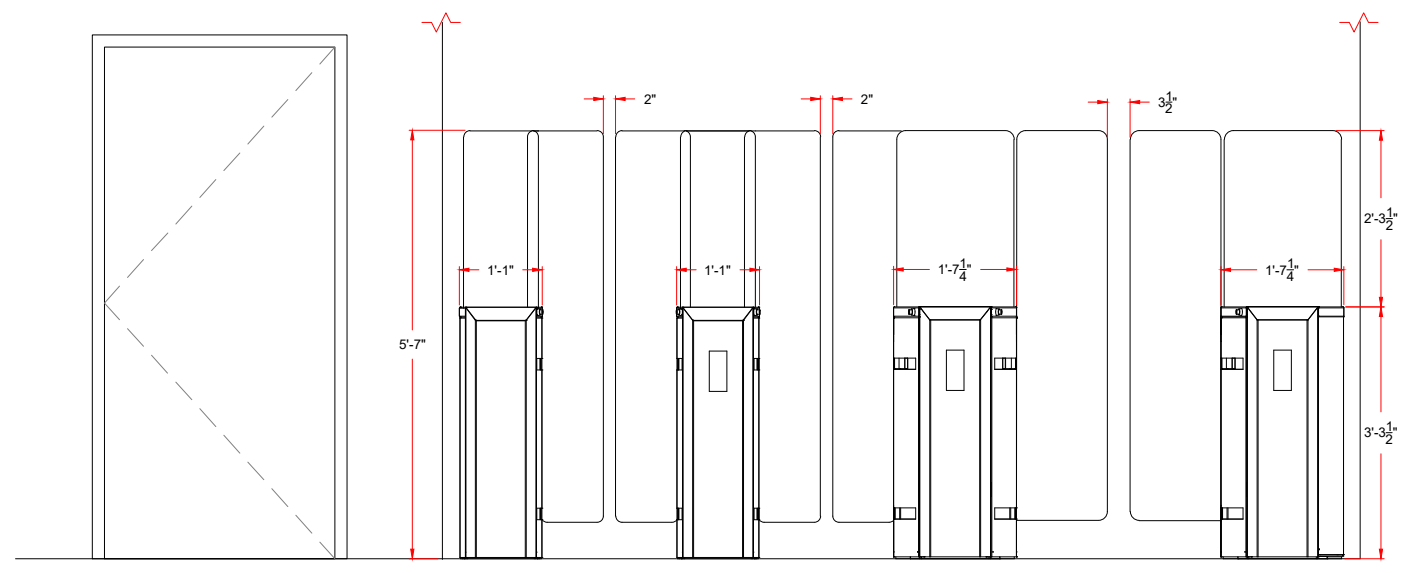
* DIMENSIONS MAY VARY IN ACTUAL INSTALLATION - FABRICATION CHANGES RESERVED - SIMILAR EQUIPMENT MAY BE SUBSTITUTED *

FIRST DRAWN	BY
12-24-20	CJC
REVISED	BY

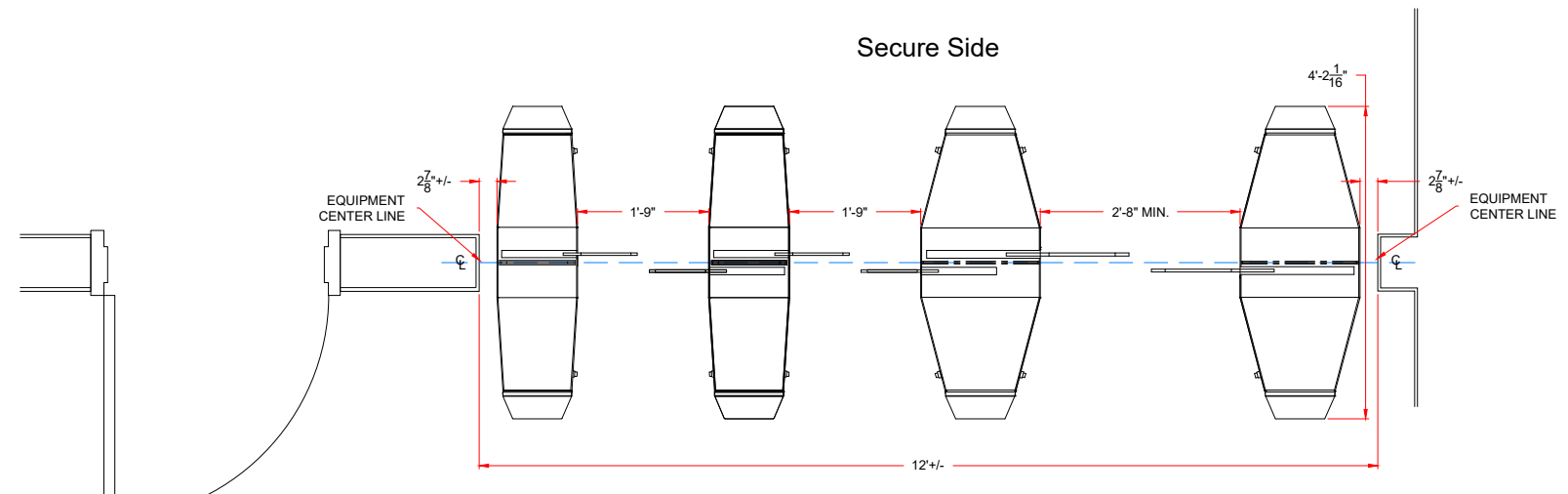
COPYRIGHT © TURNSTILES.US
 Copyright © Turnstiles.us All rights reserved. Reproduction or translation of this work without the express written permission of TURNSTILES.us is unlawful and is an infringement of intellectual property belonging to TURNSTILES.us.
 All drawings and/or designs are restricted for use exclusively with a purchase, installation, and/or support from Turnstiles.us. Any other use of these materials is a violation of copyright law. Request for additional information should be addressed to the Legal Department, Turnstiles.us.



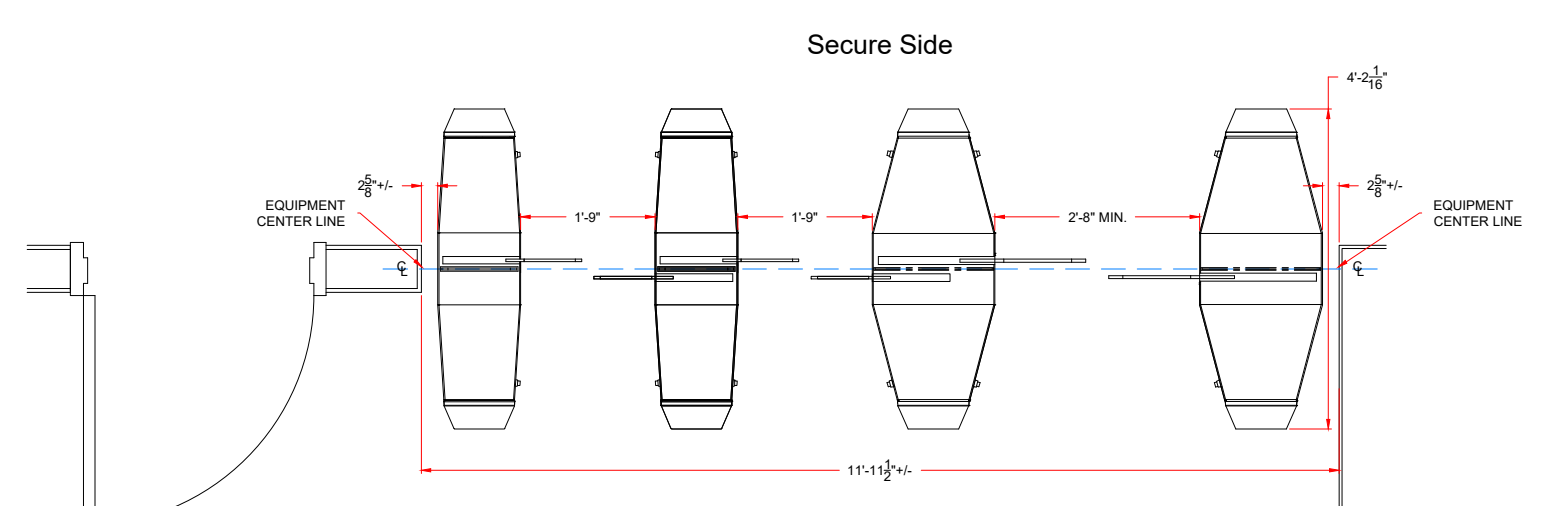
ELEVATION - ENTRANCE
NON-SECURE SIDE



ELEVATION - ENTRANCE
NON-SECURE SIDE



Secure Side
FOOT PRINT
1st FLOOR



Secure Side
FOOT PRINT
2nd FLOOR

TURNSTILES.US
 www.TURNSTILES.us
 Call 303 670 1099 * Text 303 918 9787
 patrick.mcallister@turnstiles.us

Equipment Location Detail	
Bouten Construction Co. Selkirk Pharma Turnstiles GT1 & GT2 Series, High Glass	
DWG	12-24-20 Bouten Construction Co. ELD
DATE	12-24-20
SHEET - 1 OF 1	

AUTHORIZED SIGNATURE: _____ DATE: ___ / ___ / ___