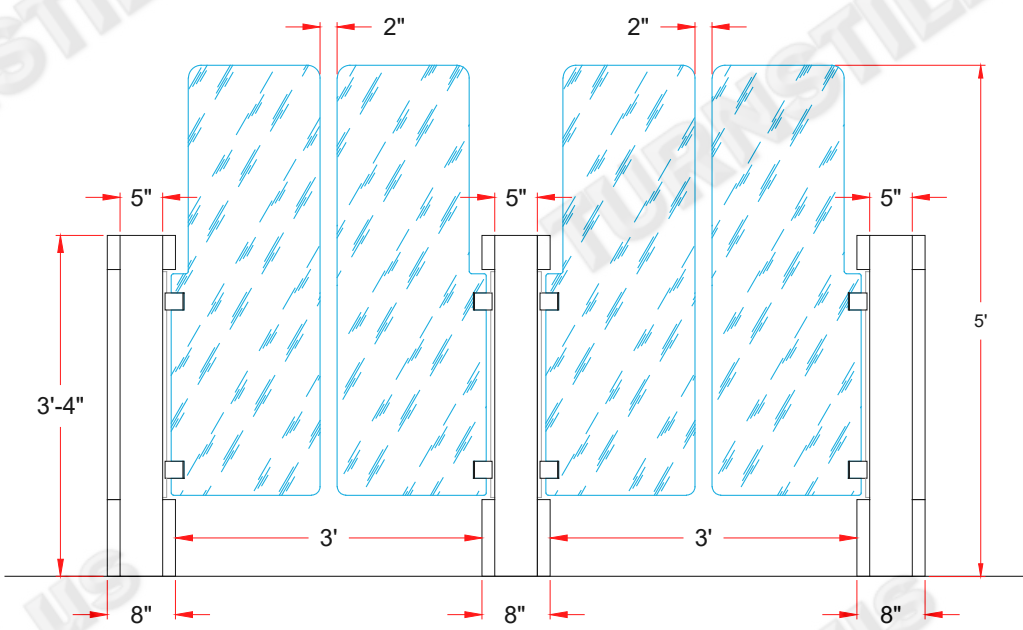
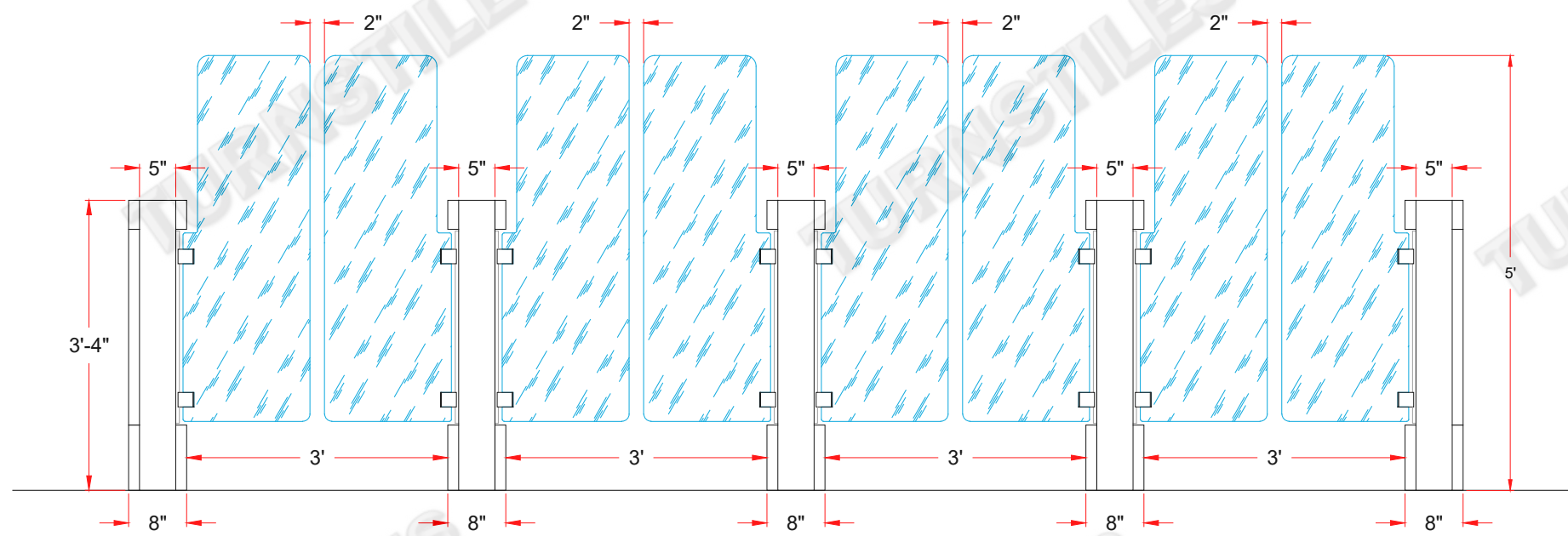


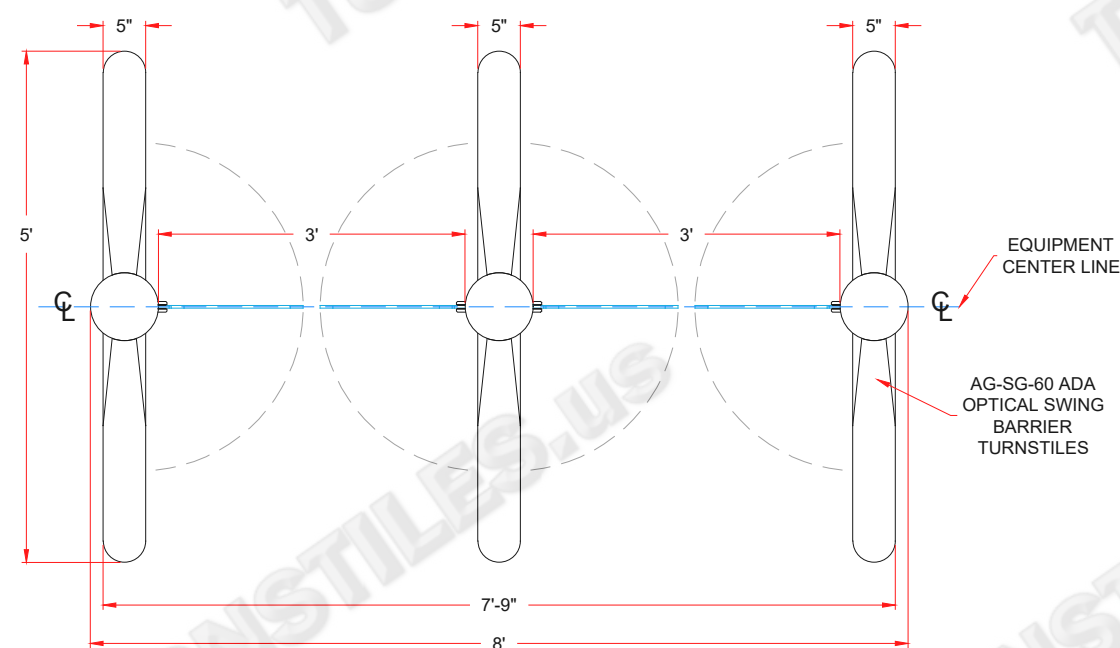
* DIMENSIONS MAY VARY IN ACTUAL INSTALLATION - FABRICATION CHANGES RESERVED - SIMILAR EQUIPMENT MAY BE SUBSTITUTED *



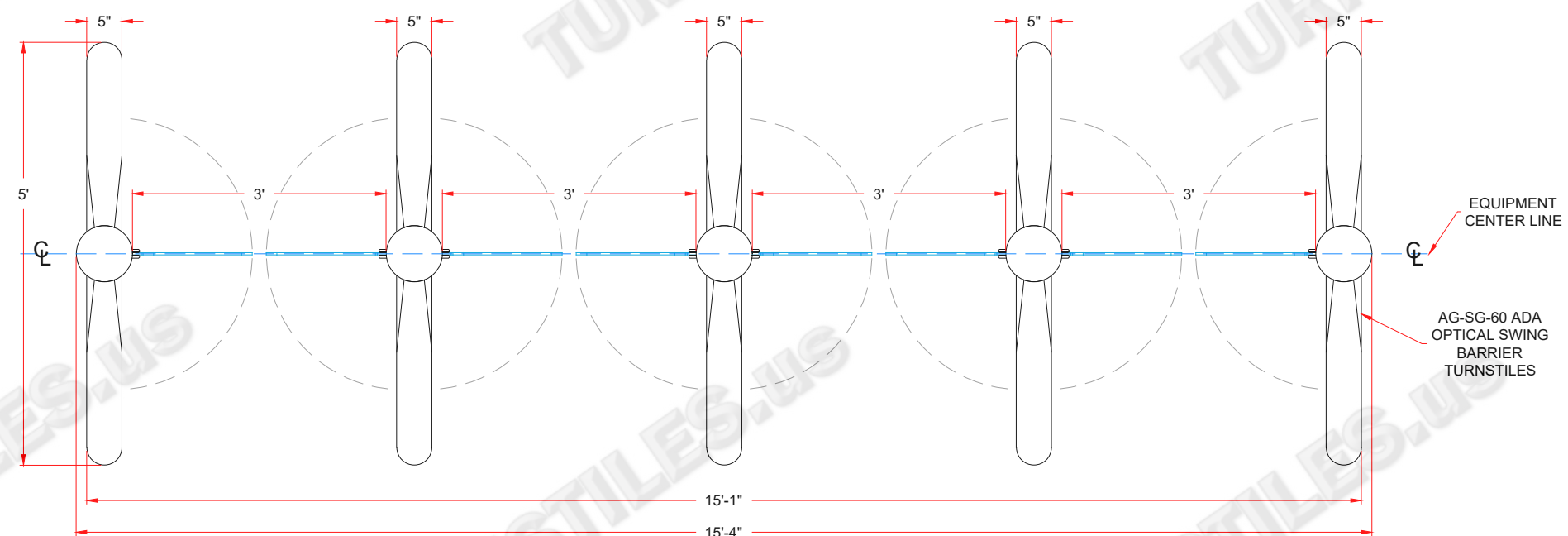
ELEVATION
TWO-LANES



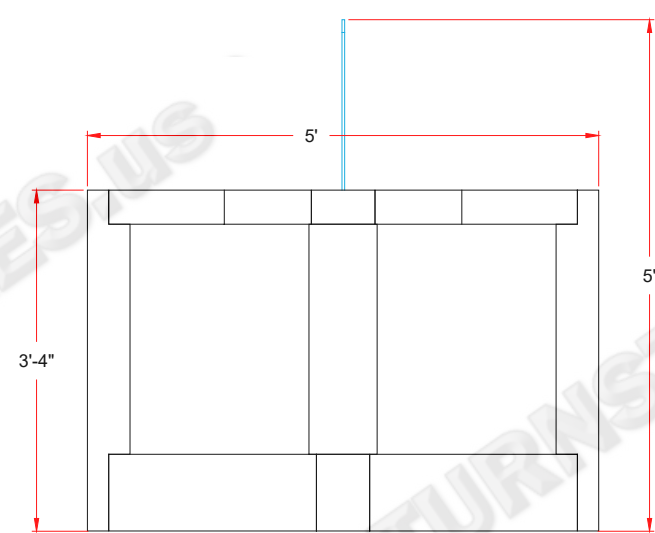
ELEVATION
FOUR-LANES



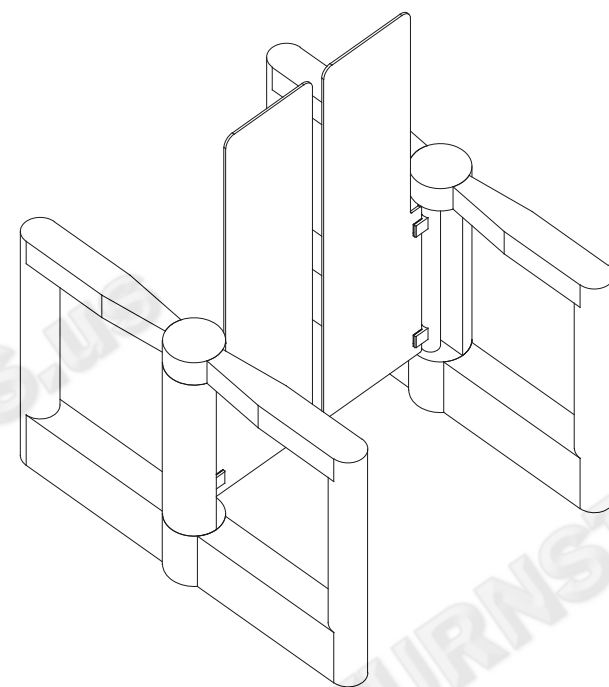
SECURE SIDE
TWO-LANE
FLOOR PLAN



SECURE SIDE
FOUR-LANE
FLOOR PLAN



ELEVATION
SIDE VIEW



3D CONCEPT

AUTHORIZED SIGNATURE: _____ DATE: ___ / ___ / ___

FIRST DRAWN	BY
06/28/21	CJC
REVISED	BY
08/13/21	CJC

COPYRIGHT © TURNSTILES.US
 Copyright © Turnstiles.us All rights reserved. Reproduction or translation of this work without the express written permission of TURNSTILES.US is unlawful and is an infringement of intellectual property belonging to TURNSTILES.US.
 All drawings and/or designs are restricted for use exclusively with a purchase, installation, and/or support from Turnstiles.us. Any other use of these materials is a violation of copyright law. Request for additional information should be addressed to the Legal Department, Turnstiles.us.

TURNSTILES.US

www.TURNSTILES.us

Call 303 670 1099 * Text 303 918 9787

patrick.mcallister@turnstiles.us

Equipment Location Detail

AG-SG-60 ADA
 Optical Barrier Swing Glass
 High Glass - Clear View

DWG 08-13-21
 GSA - E Bean. ELD REV A

DATE 08-13-21