

1

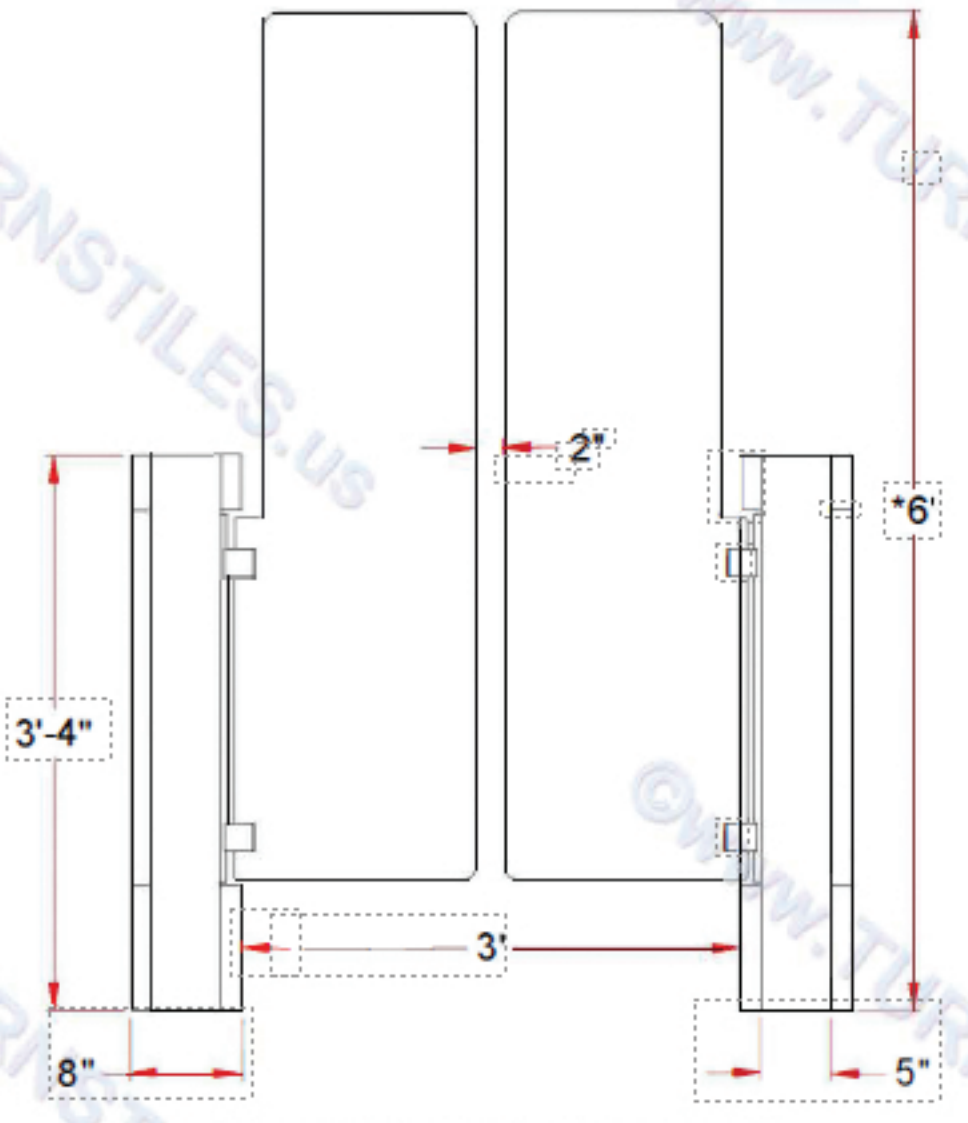
2

3

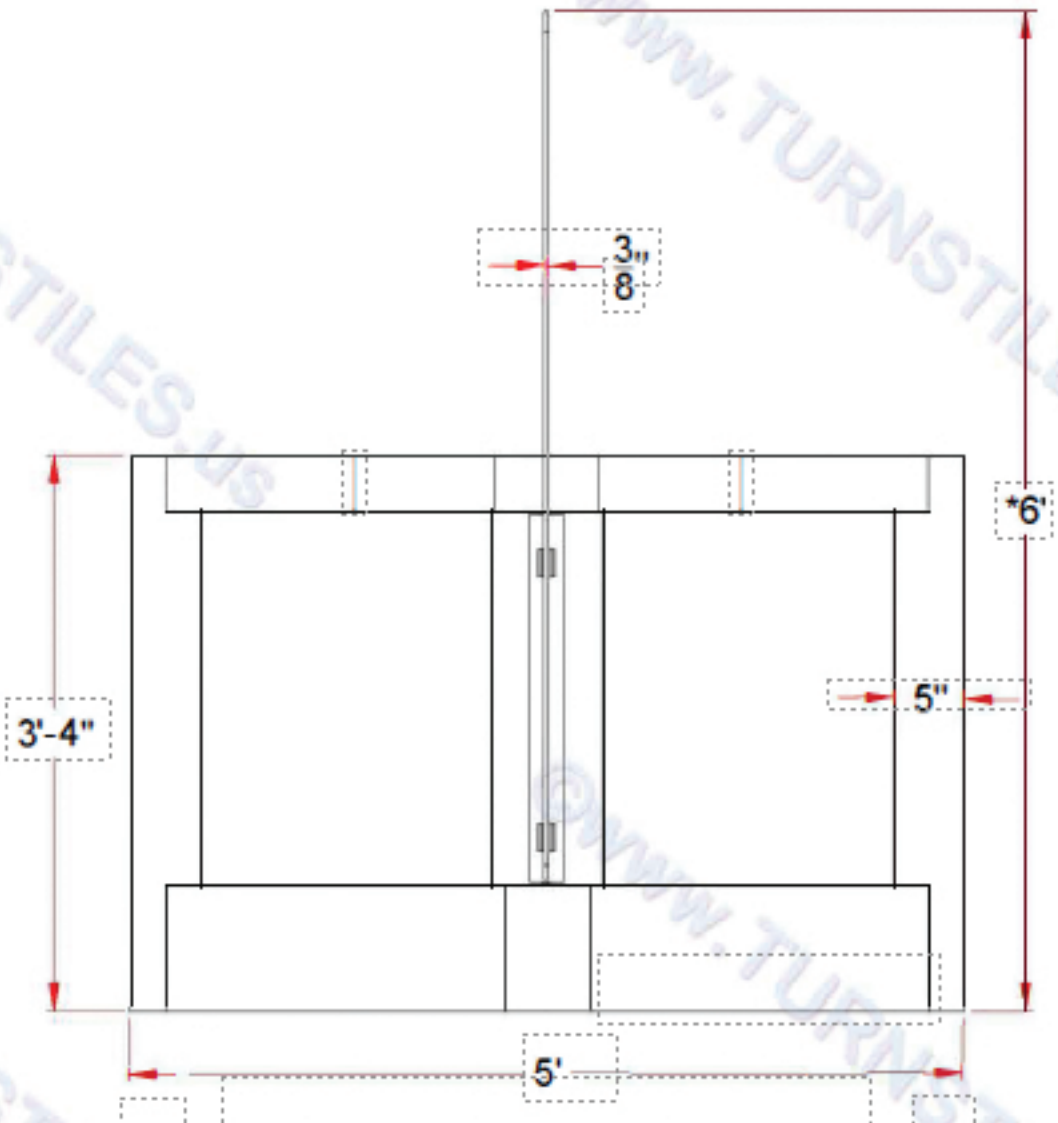
4

FIRST DRAWN	BY
--/--/--	
REVISED	BY

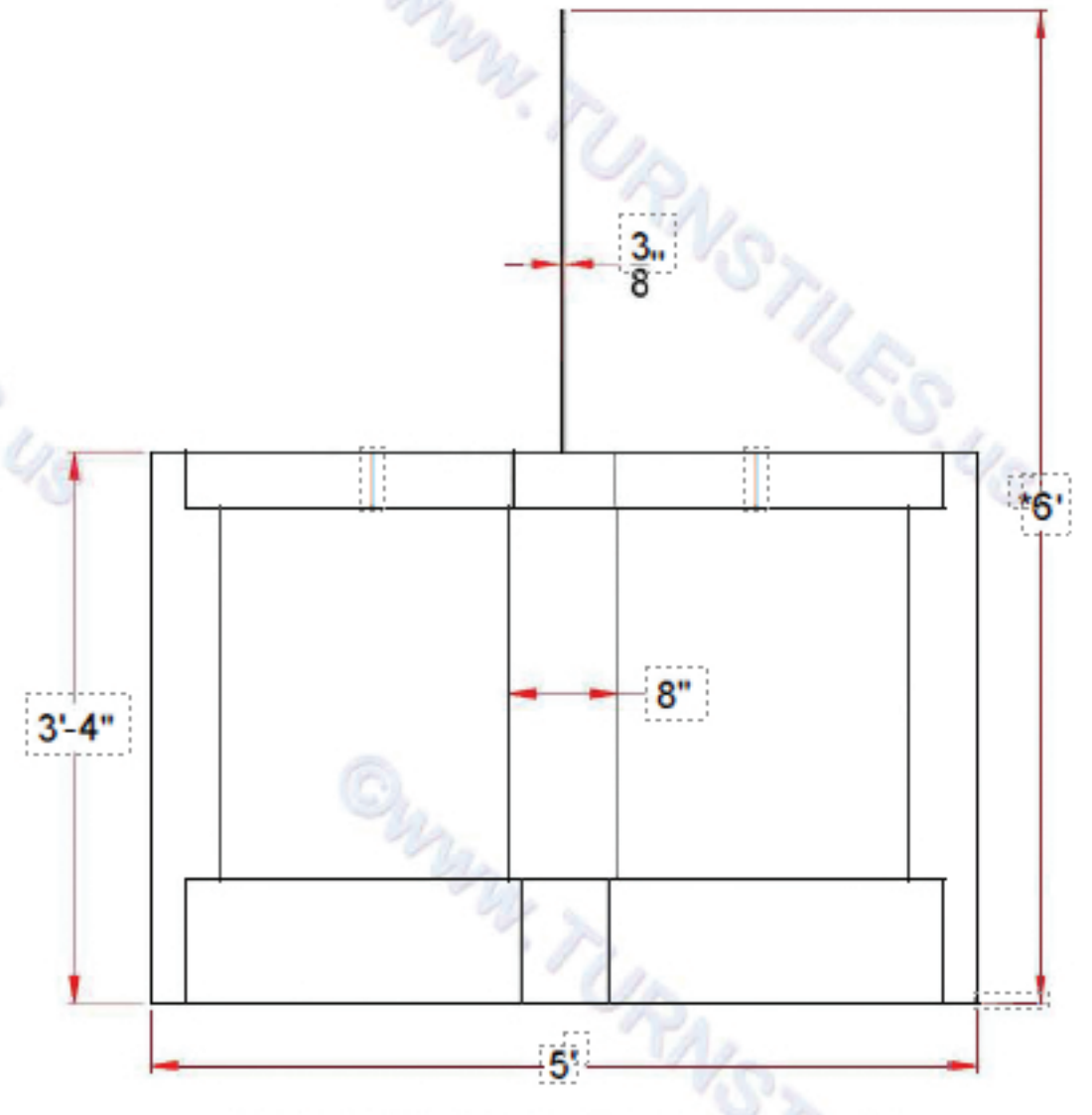
**COPYRIGHT © TURNSTILES.US**  
 Copyright © Turnstiles.us All rights reserved. Reproduction or translation of this work without the express written permission of TURNSTILES.us is unlawful and is an infringement of intellectual property belonging to TURNSTILES.us. All drawings and/or designs are restricted for use exclusively with a purchase, installation, and/or support from Turnstiles.us. Any other use of these materials is a violation of copyright law. Request for additional information should be addressed to the Legal Department, Turnstiles.us.



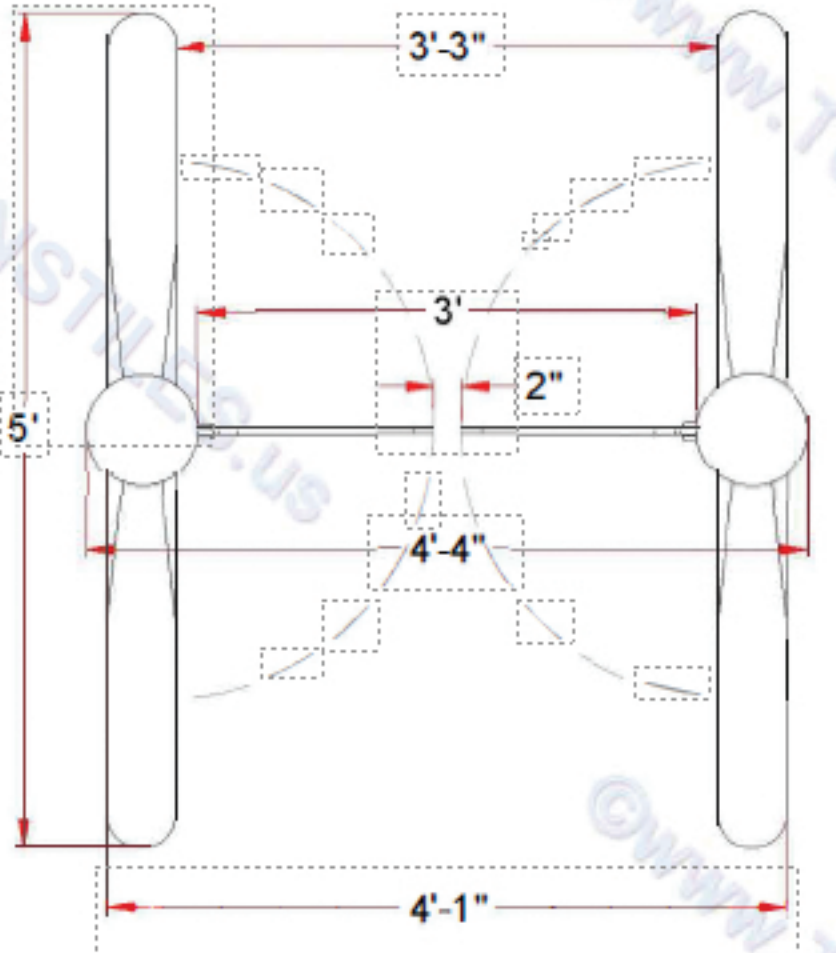
ENTRY ELEVATION



INTERNAL ELEVATION

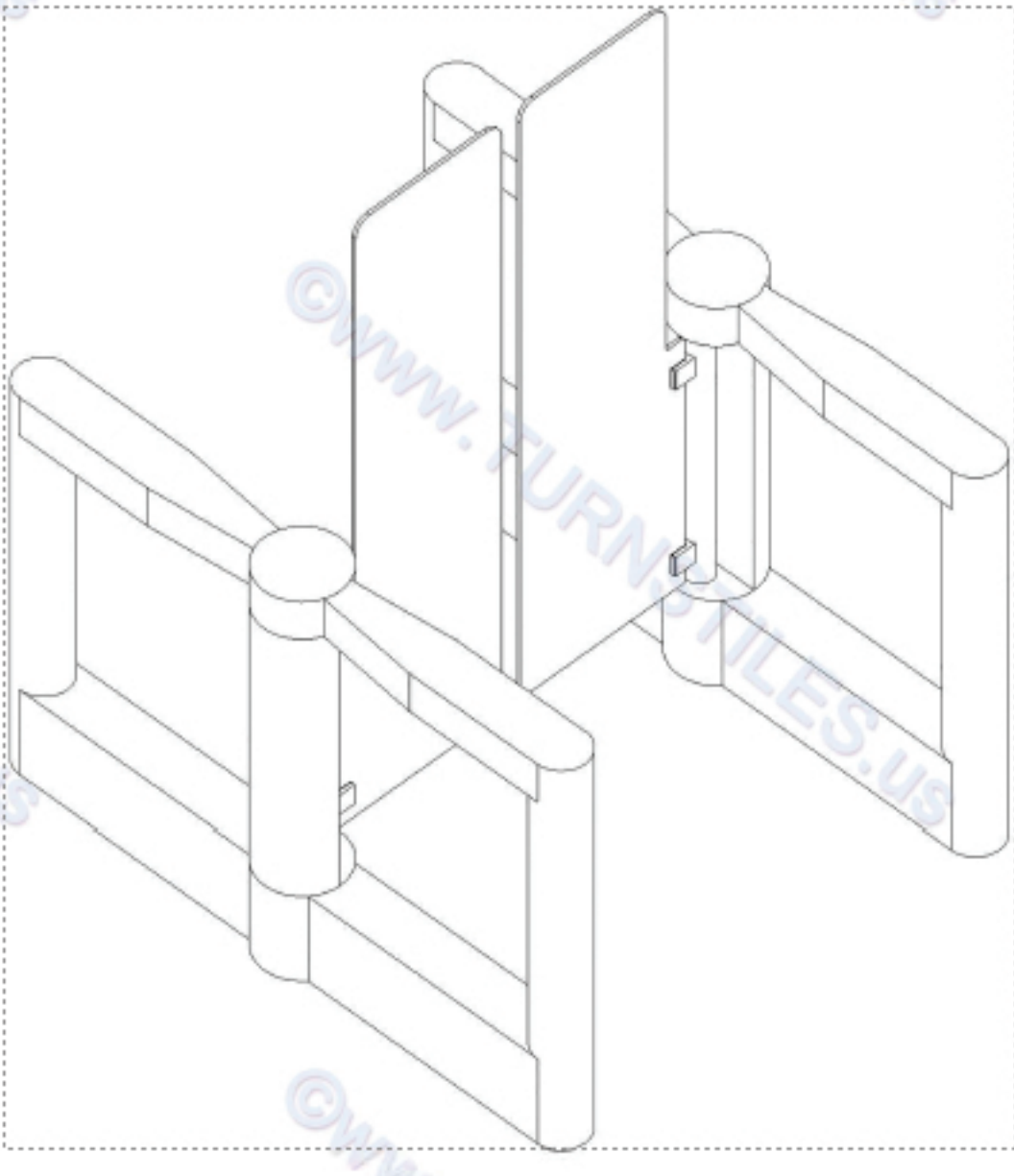


EXTERNAL ELEVATION



FLOOR PLAN

**\*NOTE**  
 Swing Barrier Heights available as tall as 72", 60", 48" and the standard waist high barrier is 35-1/2" tall.



ISOMETRIC MODEL VIEW

**TURNSTILES.US**  
 www.TURNSTILES.us  
 Call 303 670 1099 \* Text 303 918 9787  
 patrick.mcallister@turnstiles.us

Variable Height  
 Optical Swing Barrier Turnstile  
 (Full Height Glass  
 Single ADA Lane shown)

DWG WAIST HIGH  
 OPTICAL TURNSTILE  
 Tall Glass, ADA Lane

DATE --/--/--

SHEET 1 OF 1

AUTHORIZED SIGNATURE: \_\_\_\_\_ DATE: \_\_\_/\_\_\_/\_\_\_