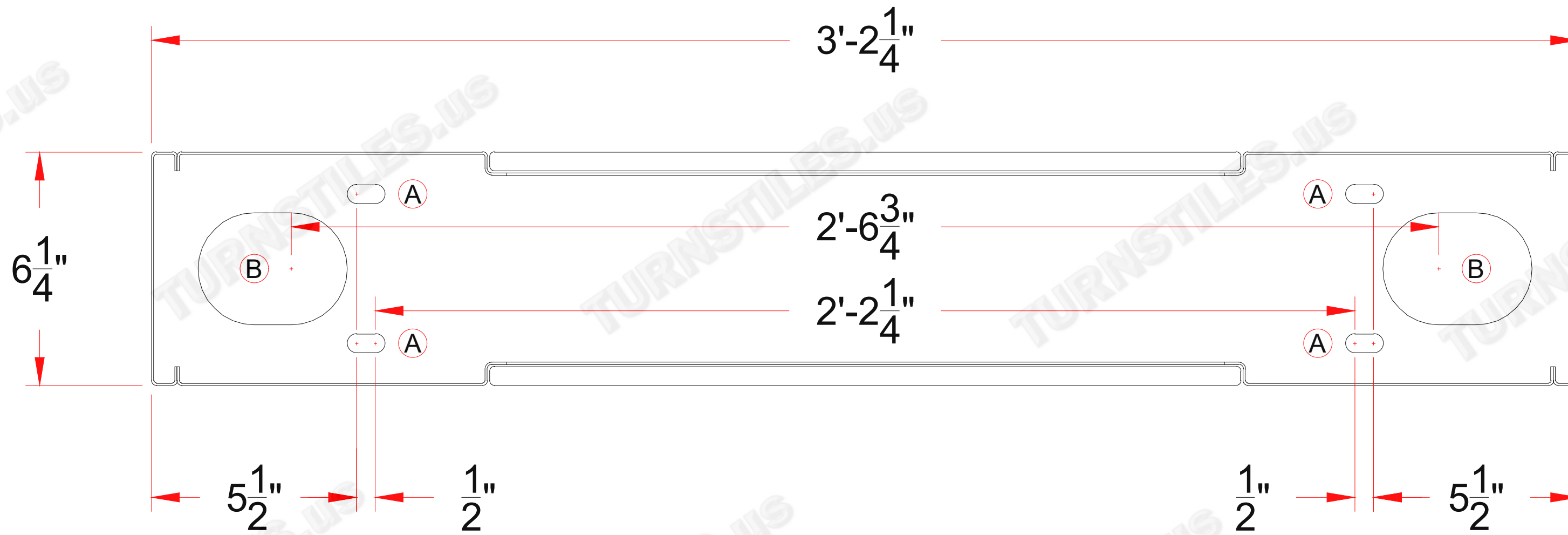


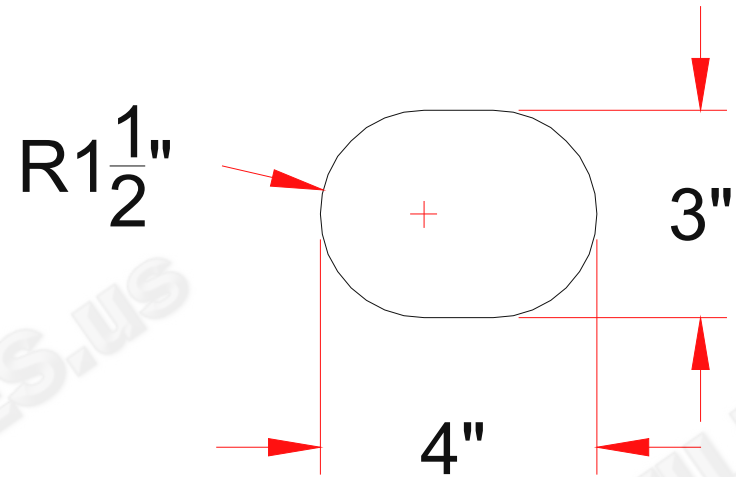
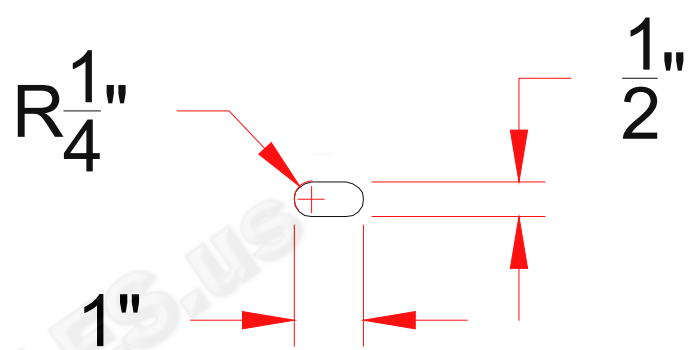
* DIMENSIONS MAY VARY IN ACTUAL INSTALLATION - FABRICATION CHANGES RESERVED - SIMILAR EQUIPMENT MAY BE SUBSTITUTED *

DROP ARM TURNSTILE - BASE PLATE ANCHOR & CONDUIT LOCATION DETAIL



(A) - Anchor Hole x4

(B) - Conduit Opening x2



AUTHORIZED SIGNATURE: _____ DATE: ___ / ___ / ___

FIRST DRAWN	BY
02-11-22	CJC
REVISED	BY

COPYRIGHT © TURNSTILES.US
 Copyright © Turnstiles.us All rights reserved. Reproduction or translation of this work without the express written permission of TURNSTILES.US is unlawful and is an infringement of intellectual property belonging to TURNSTILES.US.
 All drawings and/or designs are restricted for use exclusively with a purchase, installation, and/or support from Turnstiles.us. Any other use of these materials is a violation of copyright law. Request for additional information should be addressed to the Legal Department, Turnstiles.us.

TURNSTILES.US
 www.TURNSTILES.us
 Call 303 670 1099 * Text 303 918 9787
 patrick.mcallister@turnstiles.us

ANCHOR & CONDUIT DETAIL	
J Kokolakis Contracting OPTICAL DROP ARM BASE PLATE ANCHOR & CONDUIT DETAIL & DIMENSIONS	
DWG	J Kokolakis Contracting OPTICAL DROP ARM ANCHOR & CONDUIT DETAIL
DATE	02-11-22
SHEET - 1 OF 1	