



# ZN-T1

## THERMAL CAMERA WITH BODY TEMPERATURE DETECTION

### FEATURES:

- On-board temperature-detection algorithm
- Dual Lens (Thermal + Visible light)
- Thermal sensitivity:  $\leq 50\text{mK}$
- Thermal: 8mm thermal sensing fixed lens
- Visible: 2.7-12mm motorized visible light lens
- Accuracy:  $\pm 0.6^{\circ}\text{F}$  (with Black Body)
- Body detection (up to 16 targets)
- Response time:  $\leq 50\text{ms}$
- 14 color control

### SPECIFICATIONS:

Thermal Camera		Thermal Camera	
Detector Type:	Uncooled IRFPA Microbolometer	Image Sensor:	1/2.8" Sony CMOS
Effective Pixels:	320 (H) x 240 (V)	Effective Resolution:	1920 (H) x 1080 (V)
Pixel Size:	20 $\mu\text{m}$	Shutter Speed:	1/50 - 1/64,000s
Thermal Sensitivity (NETD):	< 50 mK @ F1.0, 300K	Wide Dynamic Range:	True WDR 120dB
Spectral Range:	8 - 14 $\mu\text{m}$	Min. Illumination:	Color: 0.1 LUX @ (F1.2, AGC ON) B/W: 0.01 LUX @ (F1.2, AGC ON)
Image Setting:	Polarity LUT/DVE/Mirror/FCC/3D DNR Brightness/Contrast/ROI	S/N Ratio:	More than 55dB
Color Mode:	Black-Heat/White-Heat/Rain- bow/Iron-Red up to 14 modes	Focal Length:	2.7 - 12mm
		Max Aperture	F1.6 - F2.9
		FOV:	105 - 32
		Focus Control:	Motorized
Thermal Lens			
Lens Type:	Fixed		
Focus Control:	Manual Focus		
Focal Length:	8mm		
Iris:	F1.0 H: 44, V: 33		
FOV:			

Video & Audio	
Compression:	H.265, H.264, MJPEG
Frame Rate:	Main Stream: Thermal: D1 @ 25/ 30fps Visible: 1920 x 1080/ 1280 x 720 @ 25/ 30fps Sub Stream: Thermal: CIF @ 25/ 30fps Visible: D1/ VGA/ 640 x 360/ CIF/ QCIF/ QVGA @ 25/ 30fps CBR/VBR
Bit Rate Control:	Thermal: 100Kbps - 6Mbps Visible
Bit Rate:	Mainstream: 200Kbps - 12Mbps Substream: 10Kbps - 6Mbps
Region of Interest:	Off/On (8 zone, rectangle)
Digital Zoom:	16x
Mirror:	Support
Defog:	Support
Motion Detection:	Support
Privacy Masking:	Off/On (4 areas, rectangle)
DVE Image Enhance:	Support
Audio compression:	G.711, AN+MR, RAW_PCM (optional)

Intelligence	
Alarm:	Motion detection, Disk alarm, I/O alarm, Temperature alarm
IVS:	Smart Body Detection, Perimeter Single Virtual Fences, Double Virtual Fences, Object Left, Object Removed

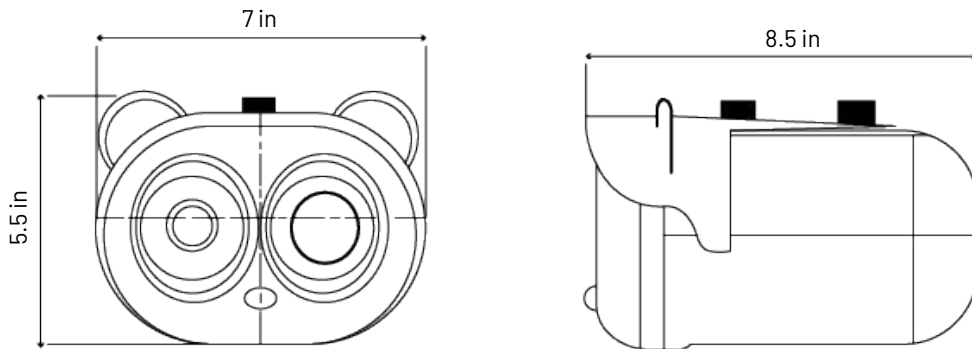
Temperature Detection	
Detection Mode:	Body temp. monitoring
Detection Preset:	Max 16 goals
Temp. Alarm:	Out-of-range temp. alarm, temp. difference alarm
Accuracy:	< 0.3°C (emission rate, distance, ambient temp, etc.)
Response Time:	< 50ms
Detection Range:	< 50ms
Temp. Display Mode:	-20°C - 60°C (-4°F - 140°F) If temp. target > 5°C, display absolute temp. value; If temp. target is < 5°C, display relative temp. value (temp. difference DEV = highest value - average)

Network	
Ethernet:	RJ-45 (10/100Base-T)
Protocols:	IPv4/ IPv6. HTTP, RTSP/ RTP/ RTCP, TCP/ UDP, DHCP, DNS, PPPOE, SMTP, SIP, 802.1x
Interoperability:	ONVIF, CGI, SDK
Streaming Method:	Unicast
Max. User Access:	10 Users
Edge Storage:	NAS, Local PC for instant recording Micro SD card 128GB
Web Viewer:	< IE11, Chrome, Firefox
Web Language:	English, Chinese, Polish, Italian, Portuguese, Spanish, Russian, French, Czech, Hungarian.

Interface	
Ethernet:	1 Ethernet (10/100 Base-T) RJ-45 Connector
Audio:	1ch Audio In, 1ch Audio Out
Alarm:	2ch Alarm In, 2ch Alarm Out
RS485:	Support
BNC Button:	N/A
Reset Button:	Support (built-in)

General	
Power Supply:	DC12V/ POE (IEEE 802.3af)
Power Consumption:	Max 10W
Operating Temp.:	-30°C - 60°C (-22°F - 140°F)
Storage Conditions:	0 - 90% RH
Certifications:	CE/ FCC
Ingress Protection:	IP66
Casing:	Metal
Dimensions:	212 x 182 x 136 mm
Net Weight:	2 kg

## DIMENSIONS (MM):



## OPTIONAL ACCESSORIES:

ZN-Tripod



# ZN-TH01

## Portable Blackbody

## SPECIFICATIONS:



### Video & Audio

Temperature Range:	104°F (Ambient Temp. + 5.0°C - 50.0°C)
Emissive Area:	70 x 70mm
Temperature Resolution:	0.1°C
Accuracy:	+ 0.2°C (@40°C)
Sability:	+(0.1 - 0.2)°C/ 30min
Emissivity:	0.97 + 0.02 AC220V/
Power Supply/Consumption:	50Hz, 50W 0 C - 40
Working Temperature/Humidity:	C/ > 80% RH 110 x 120
Dimensions (WxHxD):	x 180mm 1.8kg
Weight:	RS485
Optional:	