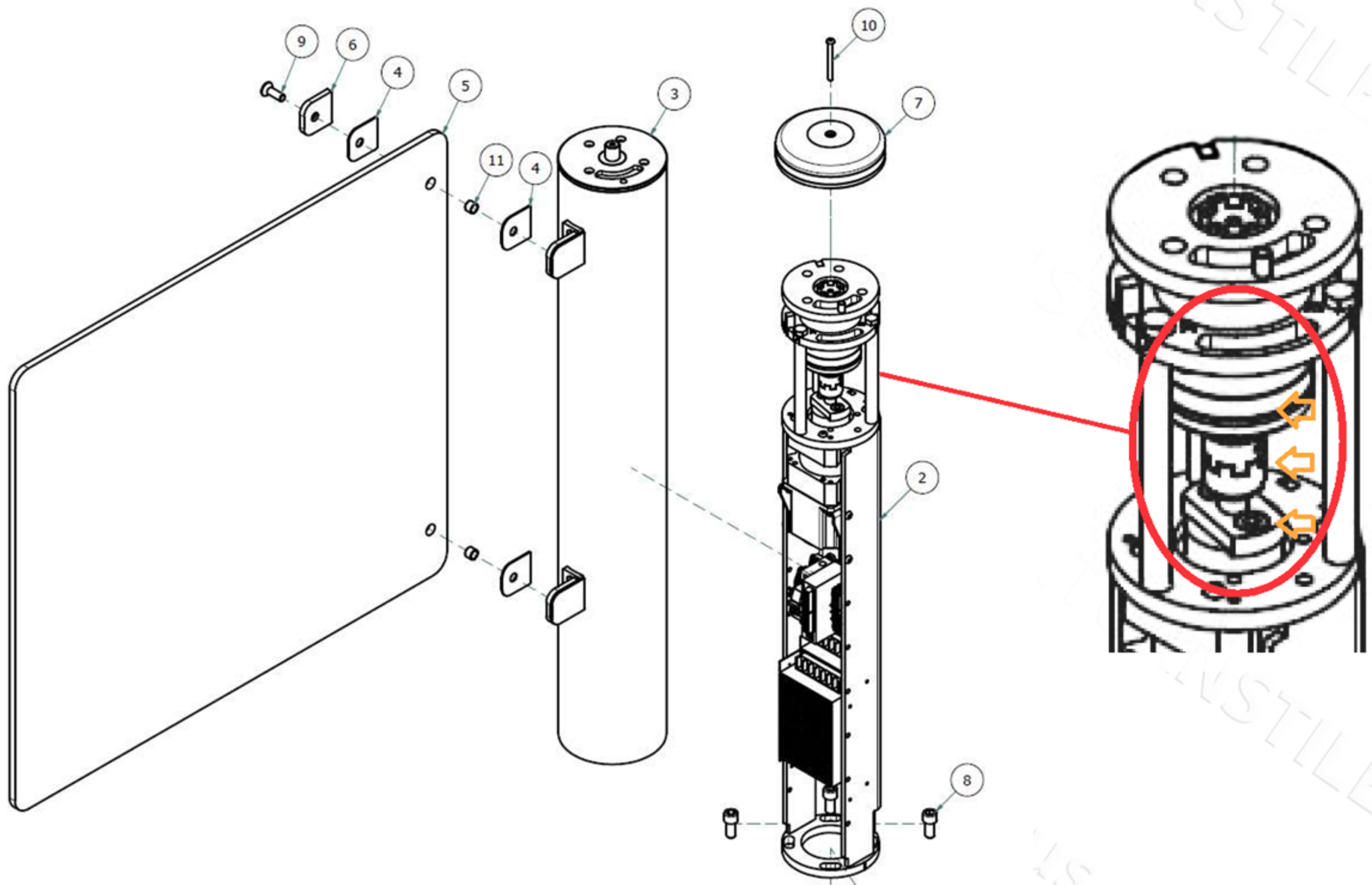


FIRST DRAWN	BY
02-01-2023	RJI
REVISED	BY

COPYRIGHT © TURNSTILES.US
 Copyright © Turnstiles.us All rights reserved. Reproduction or translation of this work without the express written permission of TURNSTILES.us is unlawful and is an infringement of intellectual property belonging to TURNSTILES.us. All drawings and/or designs are restricted for use exclusively with a purchase, installation, and/or support from Turnstiles.us. Any other use of these materials is a violation of copyright law. Request for additional information should be addressed to the Legal Department, Turnstiles.us.



Exploded View - Top Brake System Assembly
 Orange Arrow shows bottom adaptor, top and bottom "toothed Coupling" and brake system

TURNSTILES.US
 www.TURNSTILES.us
 Call 303 670 1099 * Text 303 918 9787
 patrick.mcallister@turnstiles.us

www.TURNSTILES.us
 PAG180 SWING GATE
 Top Brake System Assembly
 Exploded View

DWG	AUTOMATIC SWING GATE Brake System Assembly
DATE	02-01-2023
SHEET OF 11	

AUTHORIZED SIGNATURE: _____ DATE: ___/___/___