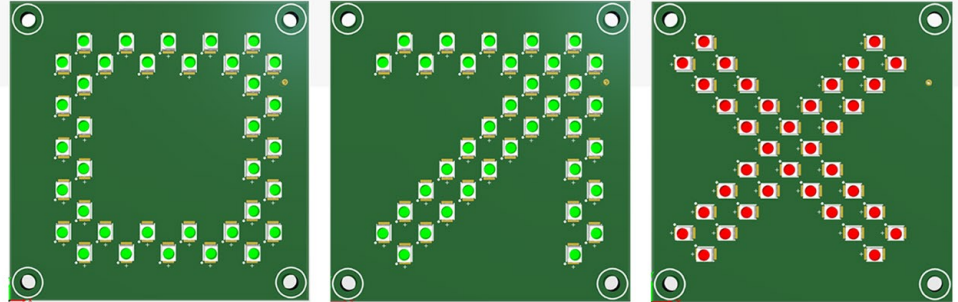




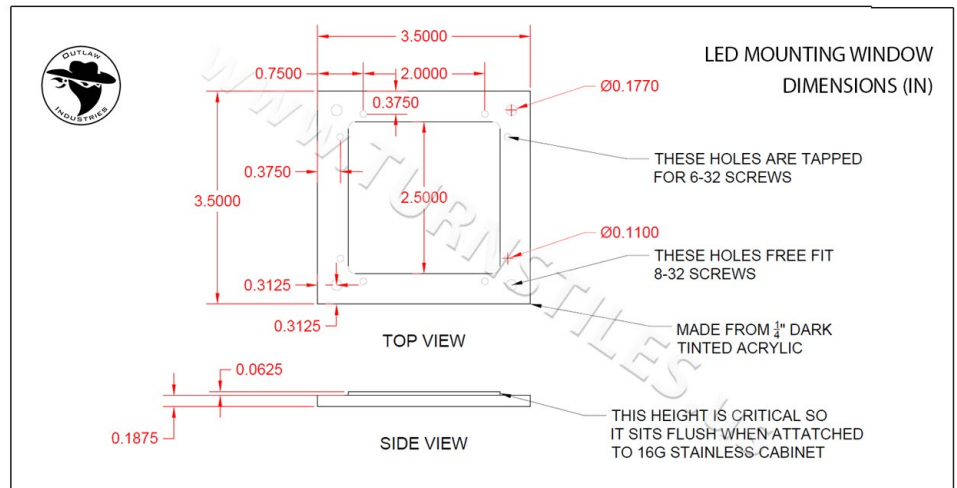
# LED LIGHT ARRAY

The Outlaw LED Light Array is a series of high-quality directional indicator lights meant to guide traffic through a secured access point.



- High Brightness
- User-Friendly Guidance
- O, X, and Arrow Signals
- Red and Green LED

The lights are embedded into the turnstile cabinet beneath flush-mounted acrylic windows for a seamless appearance.



Outlaw Industries products are manufactured 100% in the USA. While it is becoming increasingly hard to find every component made in the USA, we strive to use only American made electronics, metals etc.

