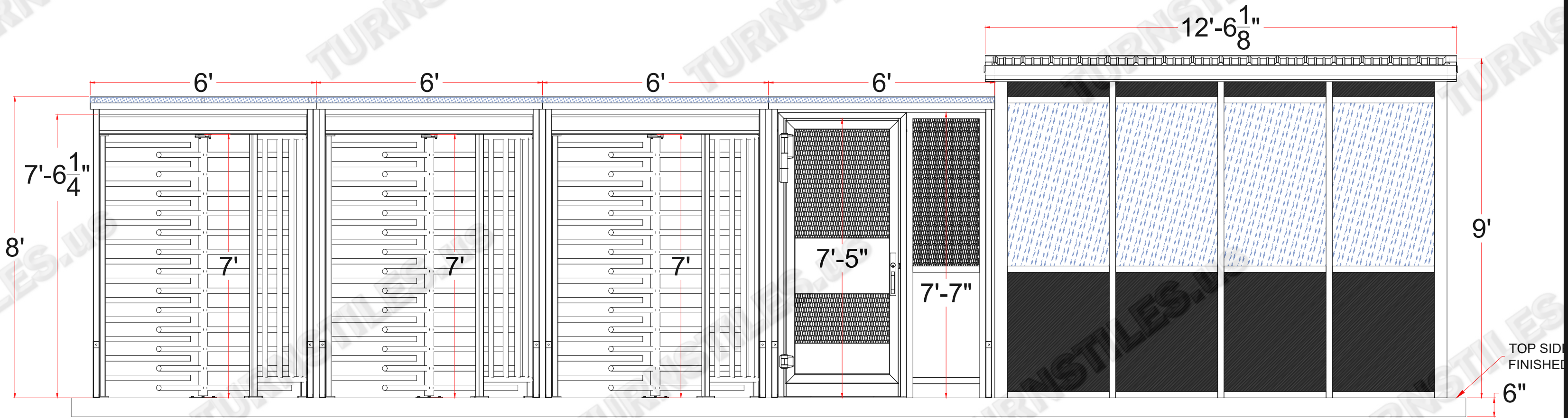
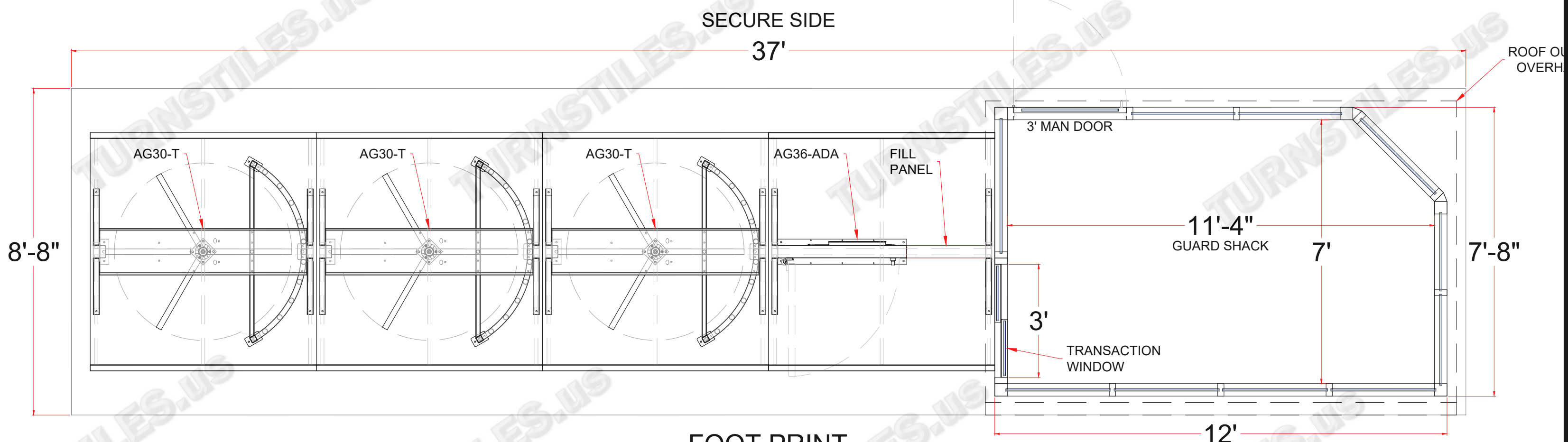


* DIMENSIONS MAY VARY IN ACTUAL INSTALLATION - FABRICATION CHANGES RESERVED - SIMILAR EQUIPMENT MAY BE SUBSTITUTED *



ELEVATION
(GUTTERS NOT SHOWN)



FOOT PRINT
(GUTTERS NOT SHOWN)

FIRST DRAWN	BY
06-30-21	CJC
REVISED	BY

COPYRIGHT © TURNSTILES.US
 Copyright © Turnstiles.us All rights reserved. Reproduction or translation of this work without the express written permission of TURNSTILES.US is unlawful and is an infringement of intellectual property belonging to TURNSTILES.US.
 All drawings and/or designs are restricted for use exclusively with a purchase, installation, and/or support from Turnstiles.us. Any other use of these materials is a violation of copyright law. Request for additional information should be addressed to the Legal Department, Turnstiles.us.

TURNSTILES.US
 www.TURNSTILES.us
 Call 303 670 1099 * Text 303 918 9787
 patrick.mcallister@turnstiles.us

Equipment Location Detail	
BRAKEBUSH IRVING, INC. AG SERIES TURNSTILES & ADA SWING GATE w/ CANOPIES ADJACENT GUARD SHACK	
DWG	06-30-21 BRAKEBUSH IRVING, INC. ELD REV C
DATE	06-30-21
SHEET - 1 OF 2	

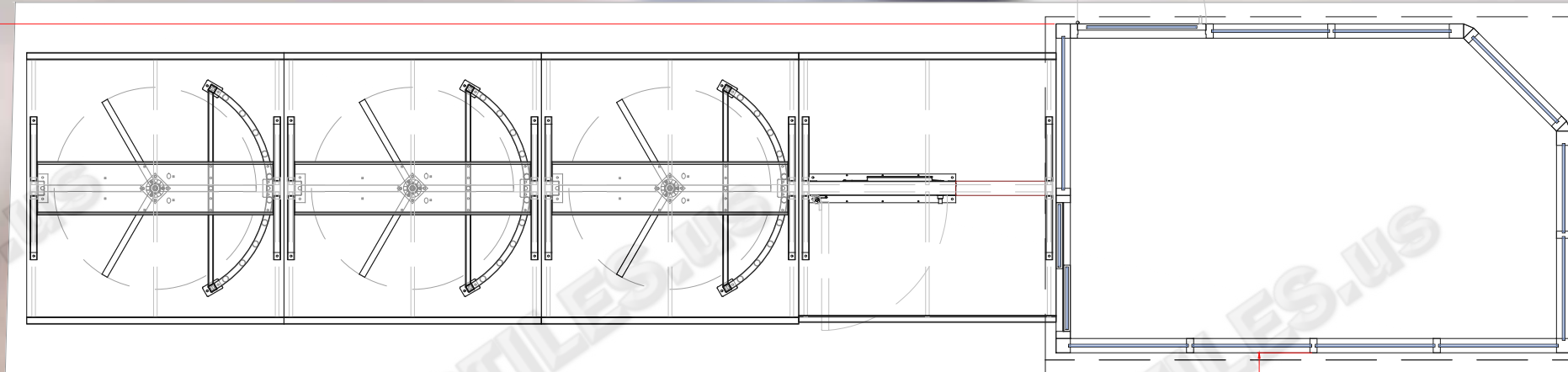
AUTHORIZED SIGNATURE: _____ DATE: ___ / ___ / ___

* DIMENSIONS MAY VARY IN ACTUAL INSTALLATION - FABRICATION CHANGES RESERVED - SIMILAR EQUIPMENT MAY BE SUBSTITUTED *

FIRST DRAWN	BY
06-30-21	CJC
REVISED	BY

COPYRIGHT © TURNSTILES.US
 Copyright © Turnstiles.us All rights reserved. Reproduction or translation of this work without the express written permission of TURNSTILES.US is unlawful and is an infringement of intellectual property belonging to TURNSTILES.US.
 All drawings and/or designs are restricted for use exclusively with a purchase, installation, and/or support from Turnstiles.us. Any other use of these materials is a violation of copyright law. Request for additional information should be addressed to the Legal Department, Turnstiles.us.

PROPOSED PAD AND EQUIPMENT LOCATION



37'-8"

30'

EDGE OF ROADWAY

AUTHORIZED SIGNATURE: _____ DATE: ___ / ___ / ___

TURNSTILES.US

www.TURNSTILES.us

Call 303 670 1099 * Text 303 918 9787

patrick.mcallister@turnstiles.us

Equipment Location Detail

BRAKEBUSH IRVING, INC.
 AG SERIES TURNSTILES &
 ADA SWING GATE w/ CANOPIES
 ADJACENT GUARD SHACK

DWG	06-30-21 BRAKEBUSH IRVING, INC. ELD REV C
-----	---

DATE 06-30-21

SHEET - 2 OF 2