

ENTRABOX DOUBLE CUBICLE MAN TRAP

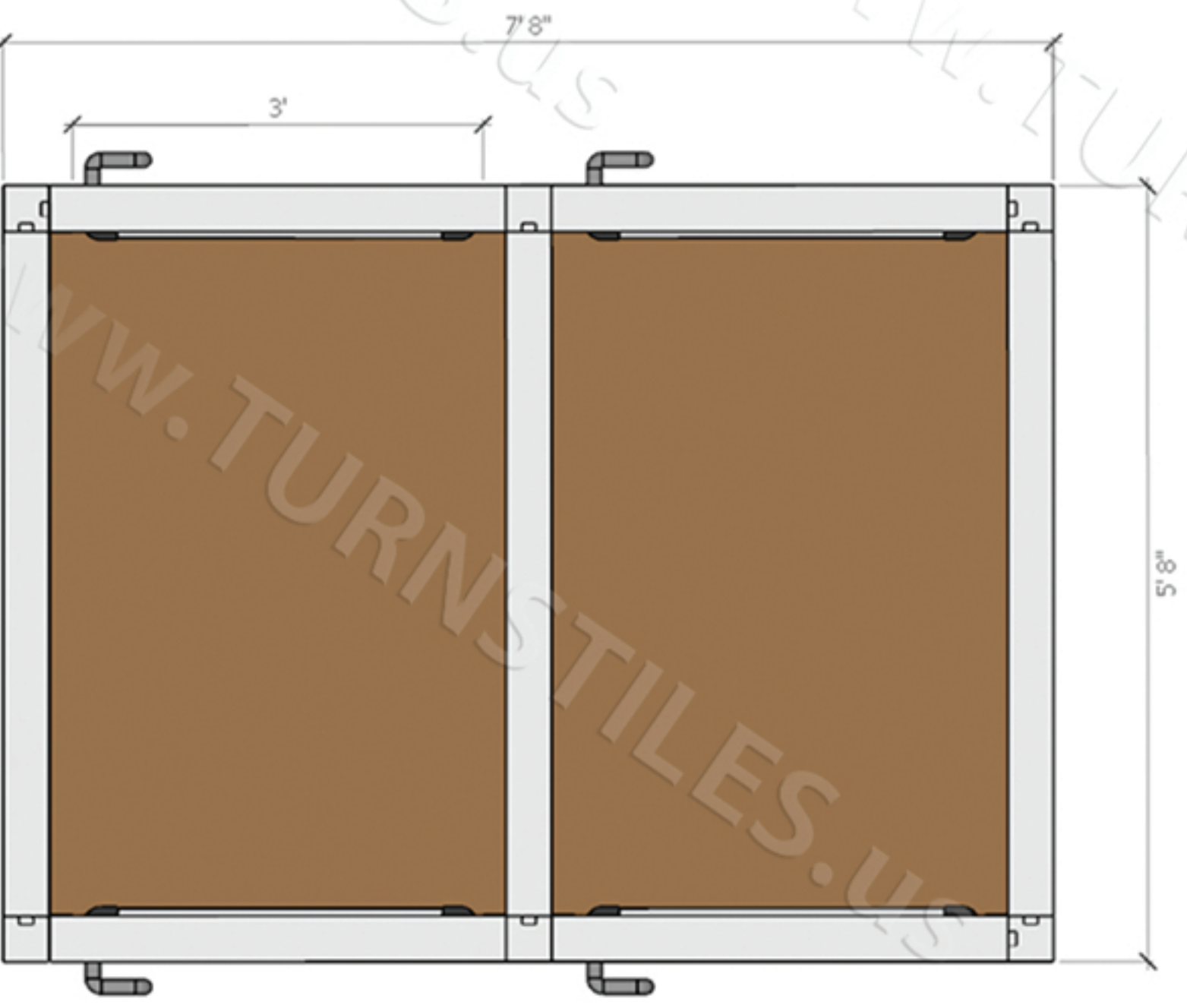
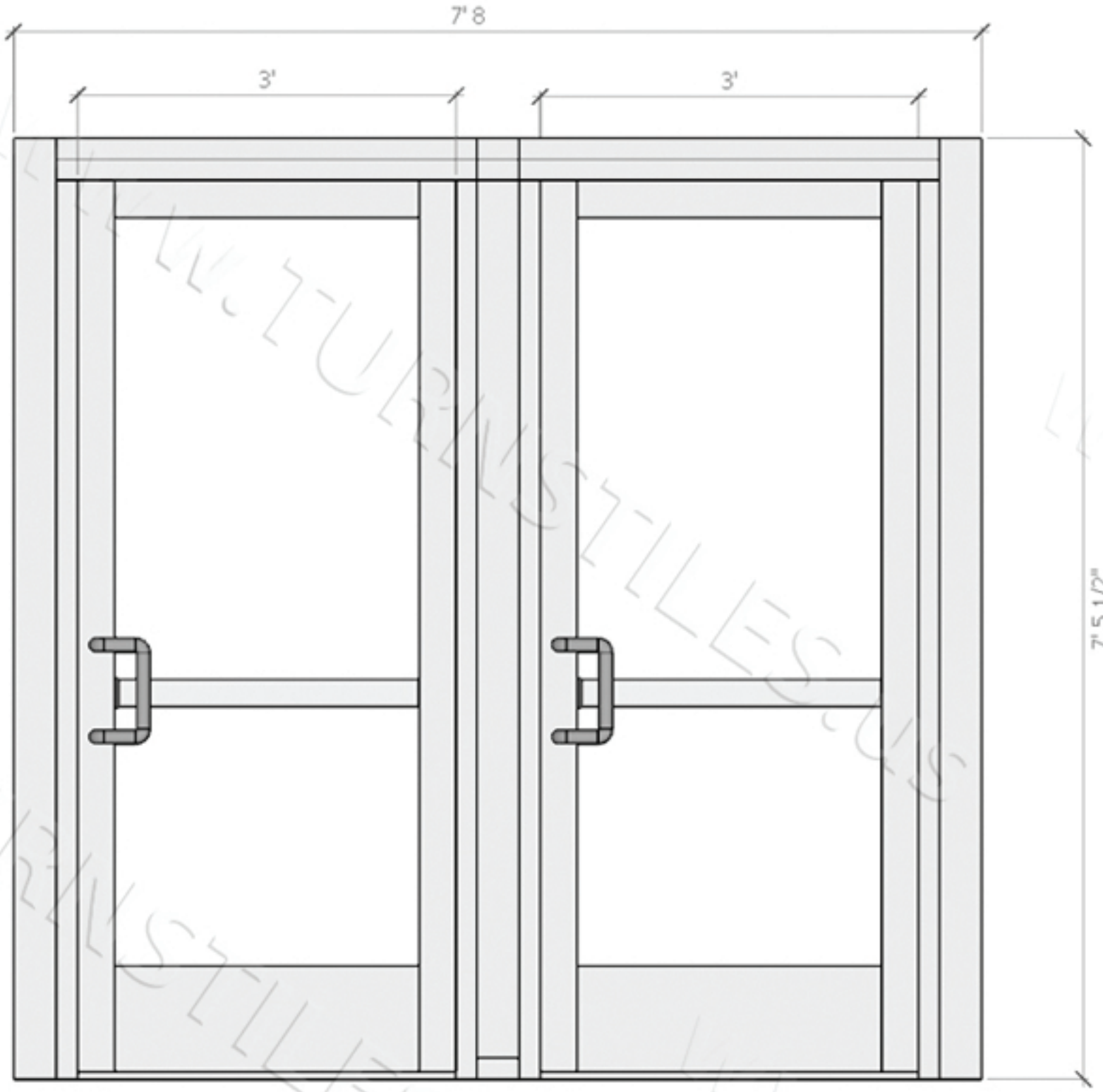


1

2

3

4



| | |
|-------------|----|
| FIRST DRAWN | BY |
| 08/11/21 | RI |
| REVISED | BY |
| | |
| | |

COPYRIGHT © TURNSTILES.US
 Copyright © Turnstiles.us All rights reserved. Reproduction or translation of this work without the express written permission of TURNSTILES.us is unlawful and is an infringement of intellectual property belonging to TURNSTILES.us. All drawings and/or designs are restricted for use exclusively with a purchase, installation, and/or support from Turnstiles.us. Any other use of these materials is a violation of copyright law. Request for additional information should be addressed to the Legal Department, Turnstiles.us.

TURNSTILES.US
 www.TURNSTILES.us
 Call 303 670 1099 * Text 303 918 9787
 patrick.mcallister@turnstiles.us

7'8" x 5'8" MAN TRAP
 SECURITY CUBICLE
 DOUBLE CONFIGURATION

DWG MAN TRAP
 DOUBLE CONFIGURATION
 DIMENSIONS

DATE 08/11/21

SHEET 1 OF 1

AUTHORIZED SIGNATURE: _____ DATE: ___/___/___

1

2

3

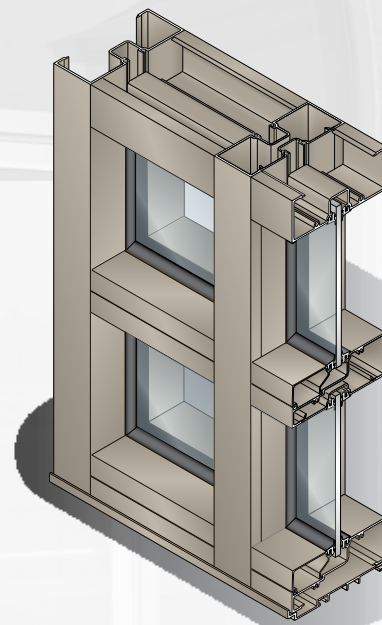
4

STOREFRONT SYSTEMS

SERIES 400 CENTER GLAZE

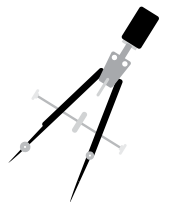
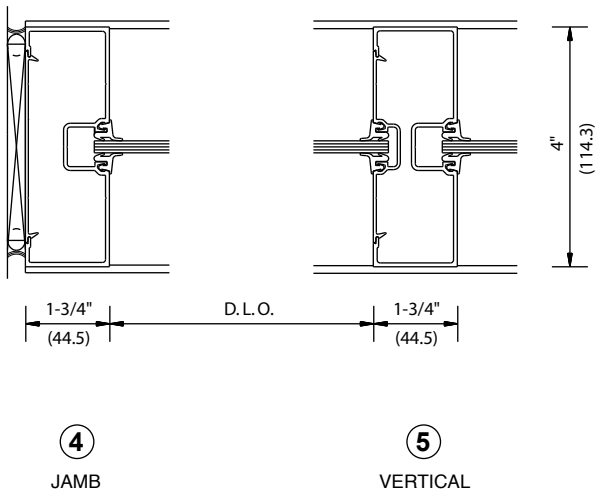
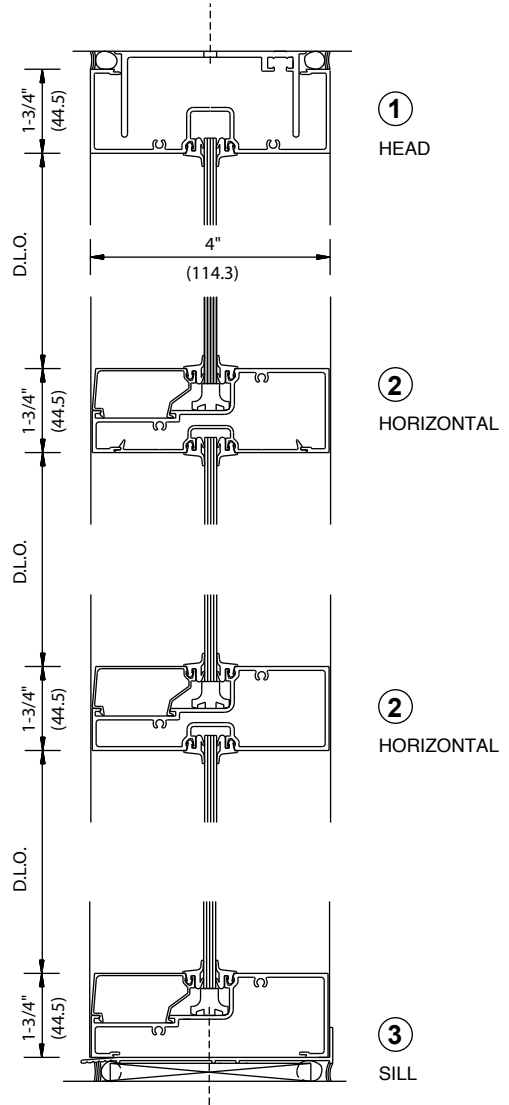
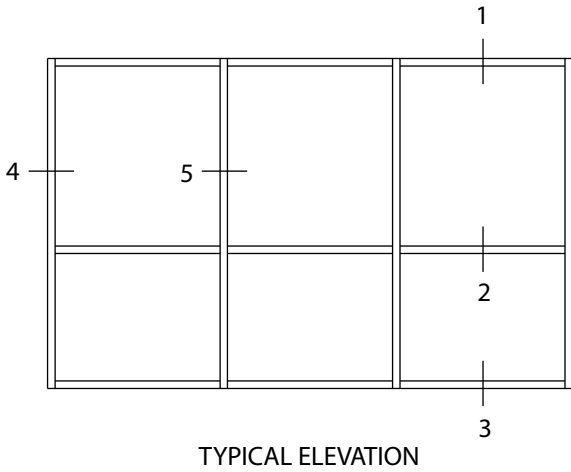


- Series 400 - 1-3/4" x 4" (44.5 x 101.6 mm)
- 1/4" Glazing Infills
- Injection Molded Water Deflectors
- Screw Spline Assembly
- Shear Block Assembly
- Stacking Installation Option
- Full Range of Accessory Components
- Available in Anodized or Painted Finishes
- Interior or Exterior Glazed



We offer cost efficient versatile Center Glazed Systems with clean lines and superb performance. All series may be interior or exterior glazed. A top load E.P.D.M. gasket is used to position and weatherseal the glass in the aluminum pocket. Center Glazed Systems are compatible with our Doors, Canopies, and Mantraps.

**SERIES 400 STOREFRONT
TYPICAL DETAILS**



NOT TO SCALE

ENTRABOX MAN TRAP RIM PANIC EXIT DEVICE




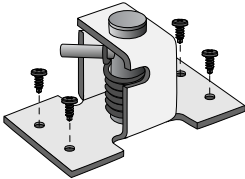

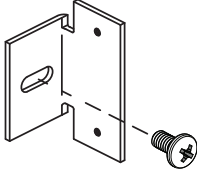
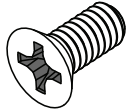
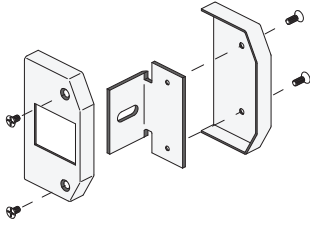
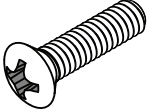
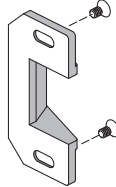
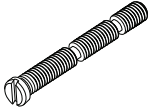
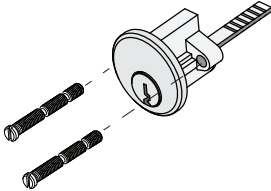
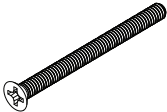
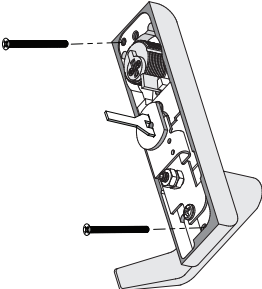
ASSEMBLY AND INSTALLATION

| | |
|--|---------|
| Tools Required | 02 |
| Parts Identification | 03 - 04 |
| Door Preparation | 05 - 08 |
| Remove Door..... | 05 |
| 1295 Rim Panic Exit Device Installation | 06 |
| 1295 Rim Panic Exit Device Installation with Optional Rim Lock Cylinder..... | 07 |
| 1295 Rim Panic Exit Device Installation with Optional Exterior Trim and Rim Cylinder | 08 |
| Door Hardware Installation..... | 09 - 13 |
| Installation of Optional Rim Cylinder..... | 09 |
| Installation of External Trim (Optional)..... | 10 |
| Installation of 1295 Rim Panic Exit Device | 11 |
| Installation of End Caps and Cover Plates | 12 |
| Frame Preparation..... | 13 |
| Dogging Pin | 14 |

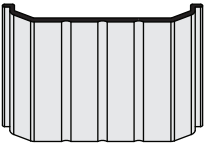
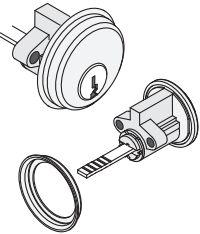
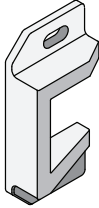
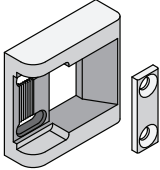
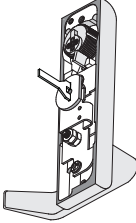
Tools Required

- | | |
|--|---------------------------------|
| Drill bits: 5/8", 11/64", 13/64", 1-13/32" | Framing square/straight edge |
| Tap: 1/4" x 20 | 1/2" Masking tape |
| Tape measure | Center punch |
| Saw horses | Flat File |
| Drill | Round File |
| Phillips #2 screwdriver | Jigsaw with metal cutting blade |
| Standard screwdriver | |

PARTS IDENTIFICATION

| FASTENERS PROVIDED | | | | | |
|--------------------|------|---|---------------------------------|--|---|
| CALL OUT | QTY. | FASTENER | FASTENER DESCRIPTION | PART | USED WITH PART NUMBER |
| (A) | 4 |  | 3/16" Pan Head Screw |  | 302670 Dogging Assembly |
| (B) | 1 |  | 1/4"-20 x 1/2" Pan Head SMS |  | Base End Plate (Included in 302654 Base Cover Plate Pkg.) |
| (C) | 4 |  | 8-32 x 1/4" FHMS |  | 302654 Base Cover Plate Pkg. |
| (D) | 2 |  | 10-24 x 5/8" Oval Head Screw |  | 302436 "C" Type Surface Mounted Strike |
| (E) | 2 |  | 1-7/8" (47.6 mm) |  | DL911 Rim Key Cylinder |
| (F) | 2 |  | 10-32 x 2-1/8" FHMS |  | 9500LV02 Flat Handle Lever Trim 9500LV01 Round Handle Lever Trim |

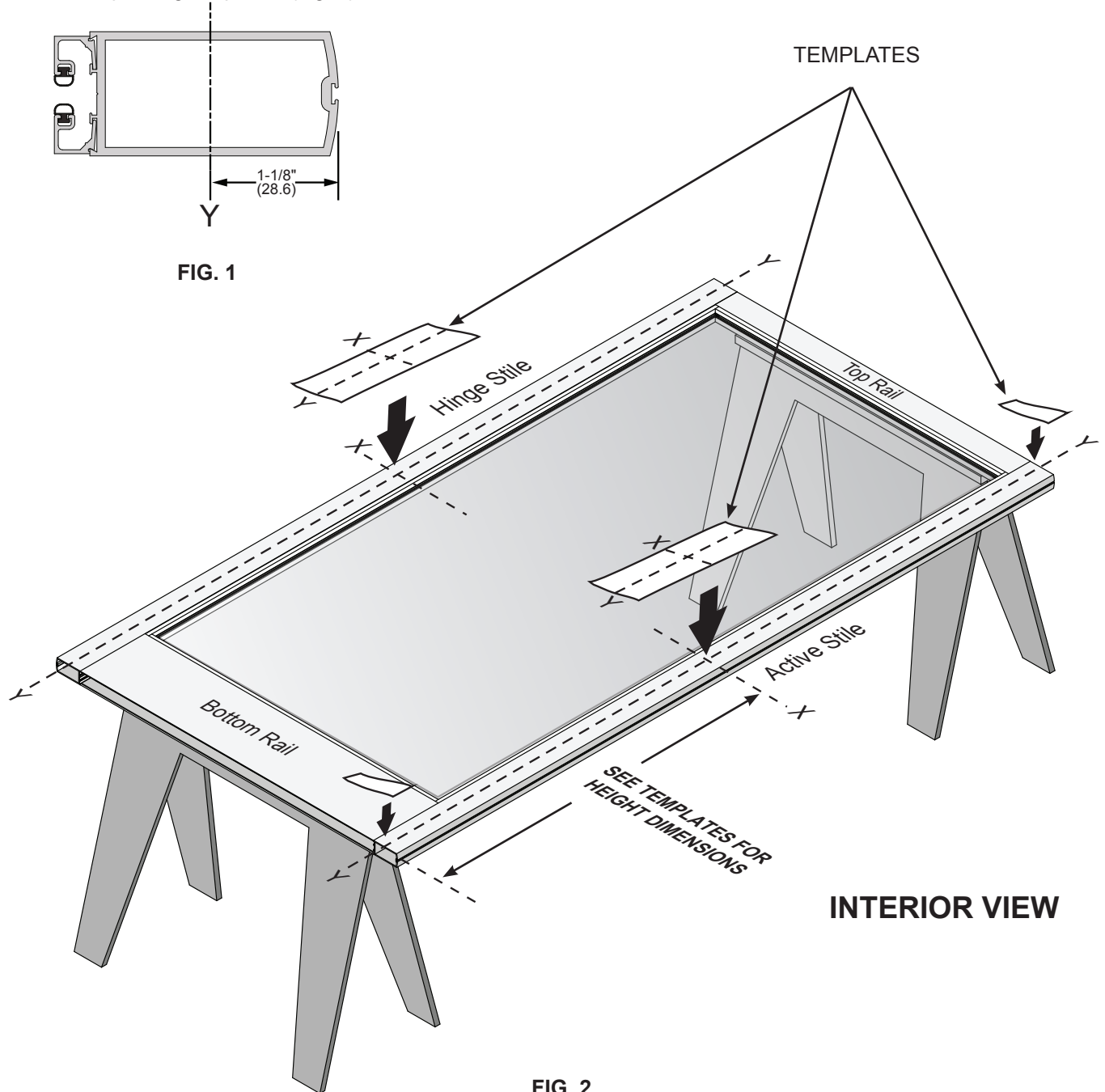
PARTS IDENTIFICATION

| PARTS LIST | | | | |
|------------|------|---|------------------------|---|
| CALL OUT | QTY. | PART | PART NO. | DESCRIPTION |
| Ⓒ | 1 |  | 302674 and 30267448 | Cover Plate |
| Ⓓ | 1 |  | DL911 | Optional Rim Key Cylinder |
| Ⓔ | 1 |  | 302436 | "C" Type Surface Mounted Strike |
| Ⓕ | 1 |  | 302501 | "S" Type Surface Mounted Strike |
| Ⓖ | 1 |  | 9500LV02/ 9500LV01 | 9500LV02 Flat Handle Lever Trim (Shown) 9500LV01 Round Handle Lever Trim (Similar) |

DOOR PREPARATION

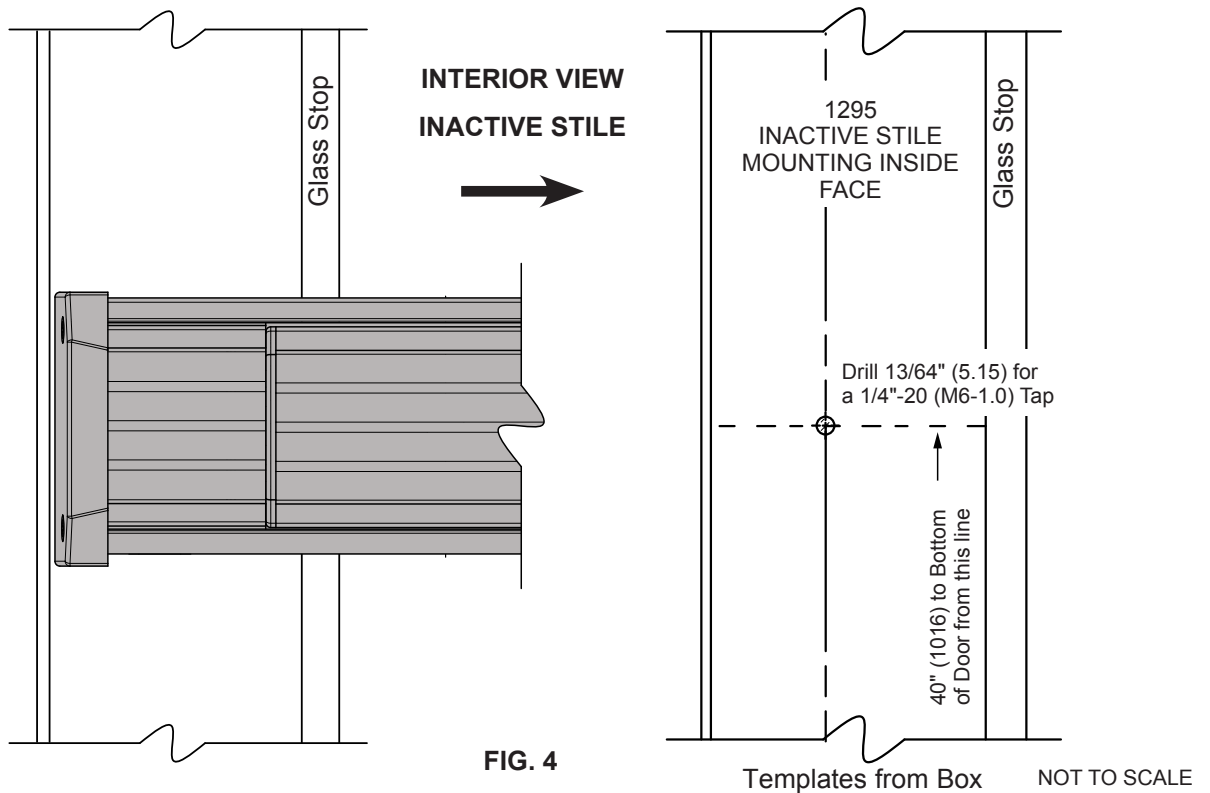
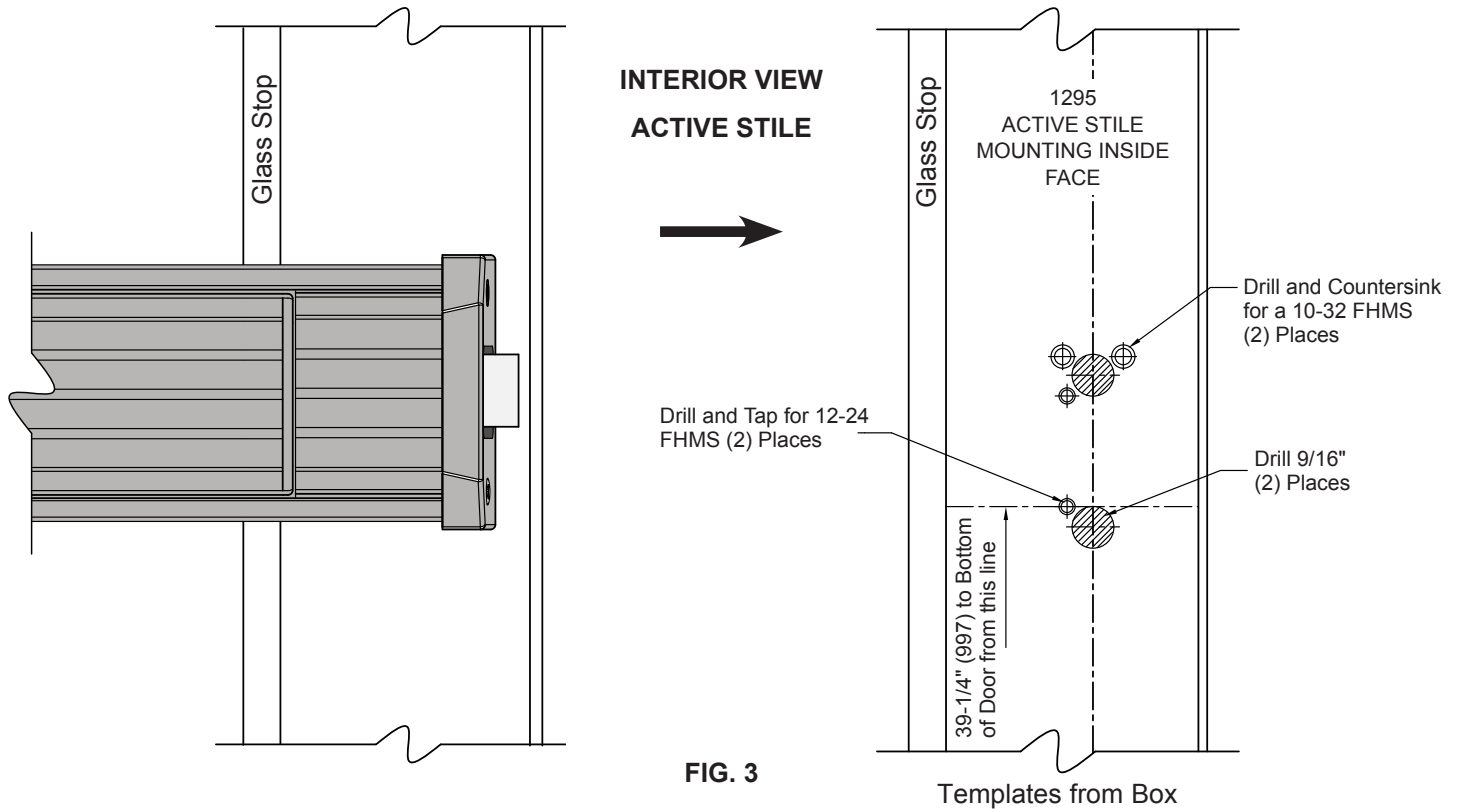
REMOVE DOOR

1. Place door horizontally on stands, interior side up.
2. Mark stile centerlines Y-lines, 1-1/8" (28.6) from outside edge for all stile widths. (Fig. 1)
3. Mark stile X-lines per template instructions. (Fig. 2)
4. Attach corresponding templates. (Fig. 2)



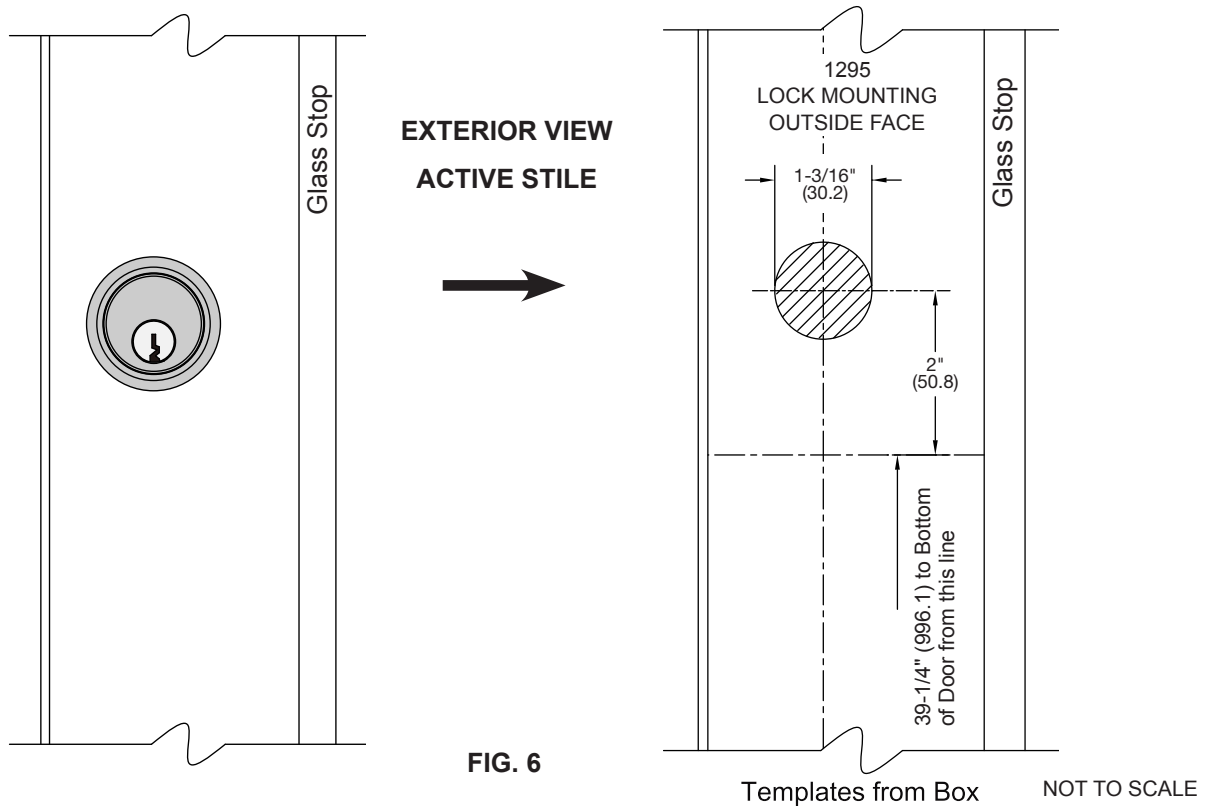
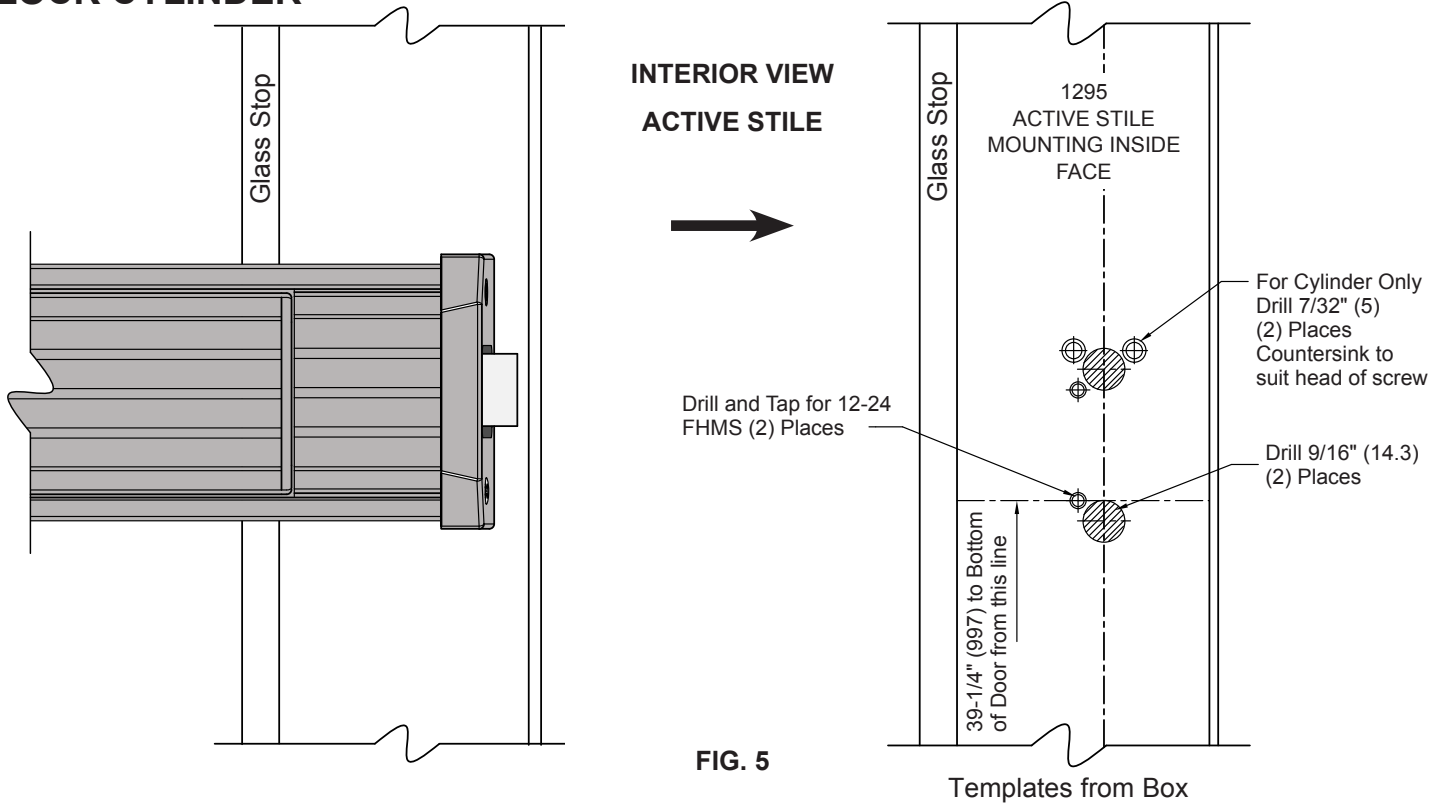
DOOR PREPARATION – LAYOUT SELECTION

1295 RIM PANIC EXIT DEVICE INSTALLATION



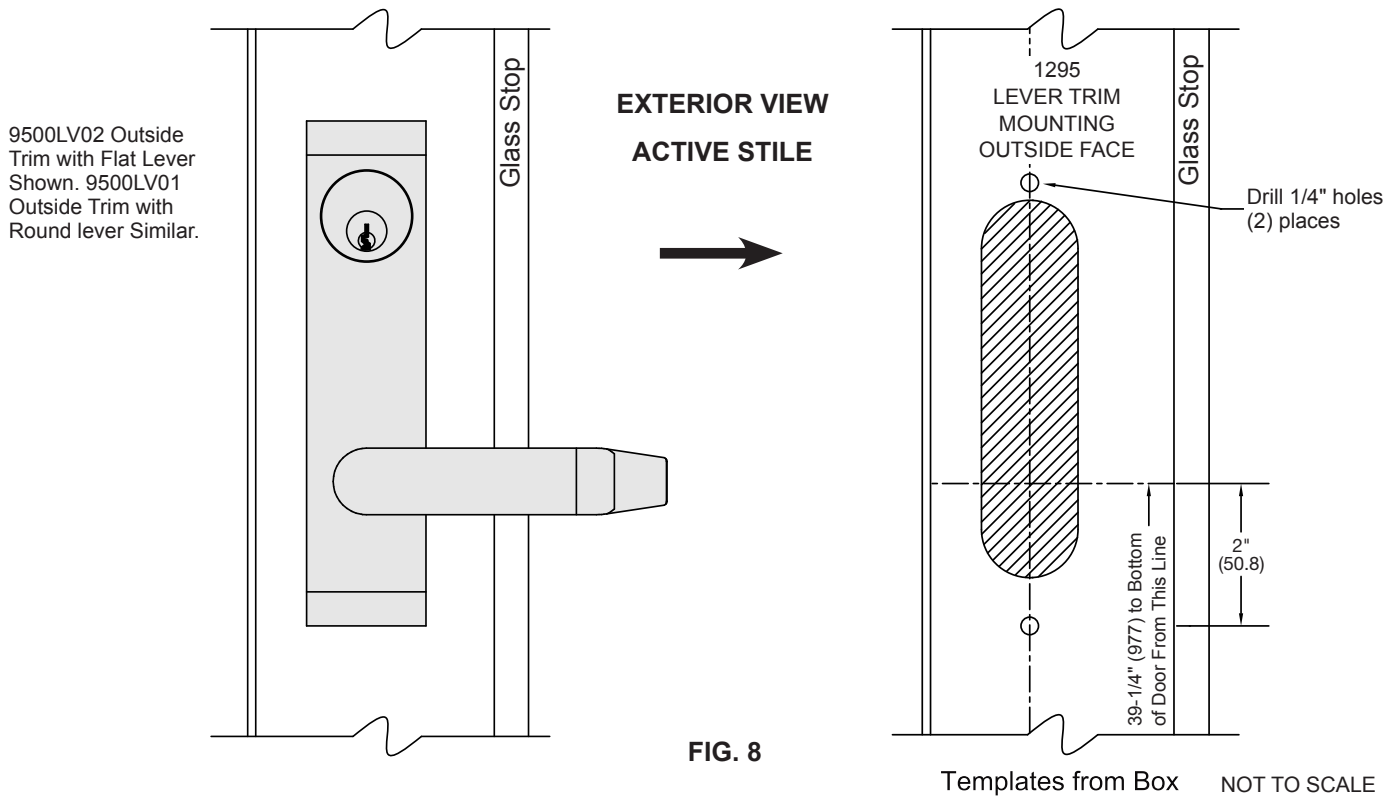
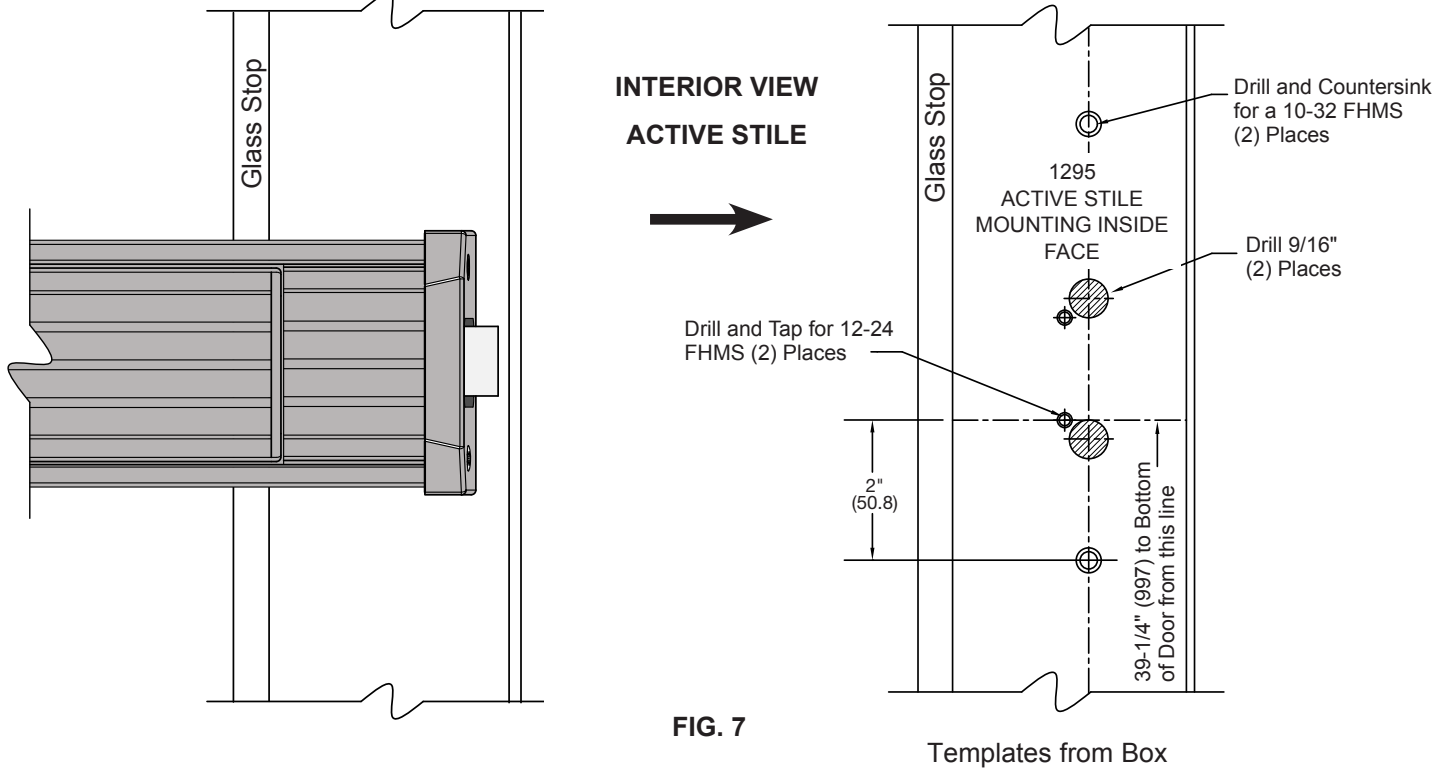
DOOR PREPARATION – LAYOUT SELECTION

1295 RIM PANIC EXIT DEVICE INSTALLATION WITH RIM LOCK CYLINDER



DOOR PREPARATION – LAYOUT SELECTION

1295 RIM PANIC EXIT DEVICE INSTALLATION WITH EXTERIOR TRIM AND RIM CYLINDER



DOOR HARDWARE INSTALLATION

INSTALLATION OF RIM CYLINDER

NOTE: Optional Rim Cylinder must be installed before attaching exit device.

1. Attach the Rim Cylinder on door stile with (2) 1-7/8" (47.6 mm) Breakaway Screws provided. Fig. 9

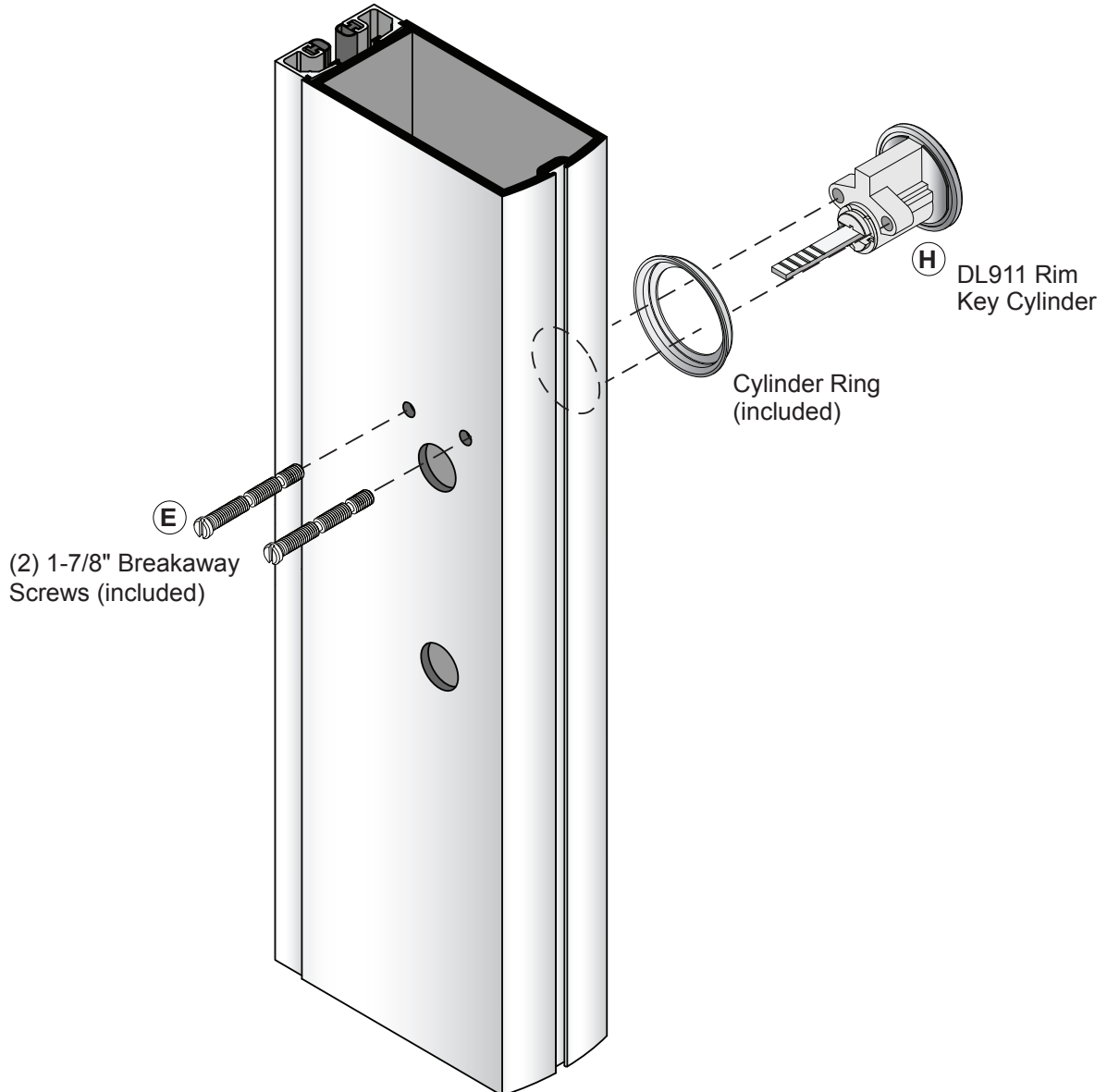


FIG. 9

DOOR HARDWARE INSTALLATION (CONTINUED)

INSTALLATION OF EXTERNAL TRIM

NOTE: Exterior trim must be installed before attaching exit device.

1. Attach the exterior trim with (F) (2) #10 x 2-1/8" Flat head screws provided shown in Fig. 10.

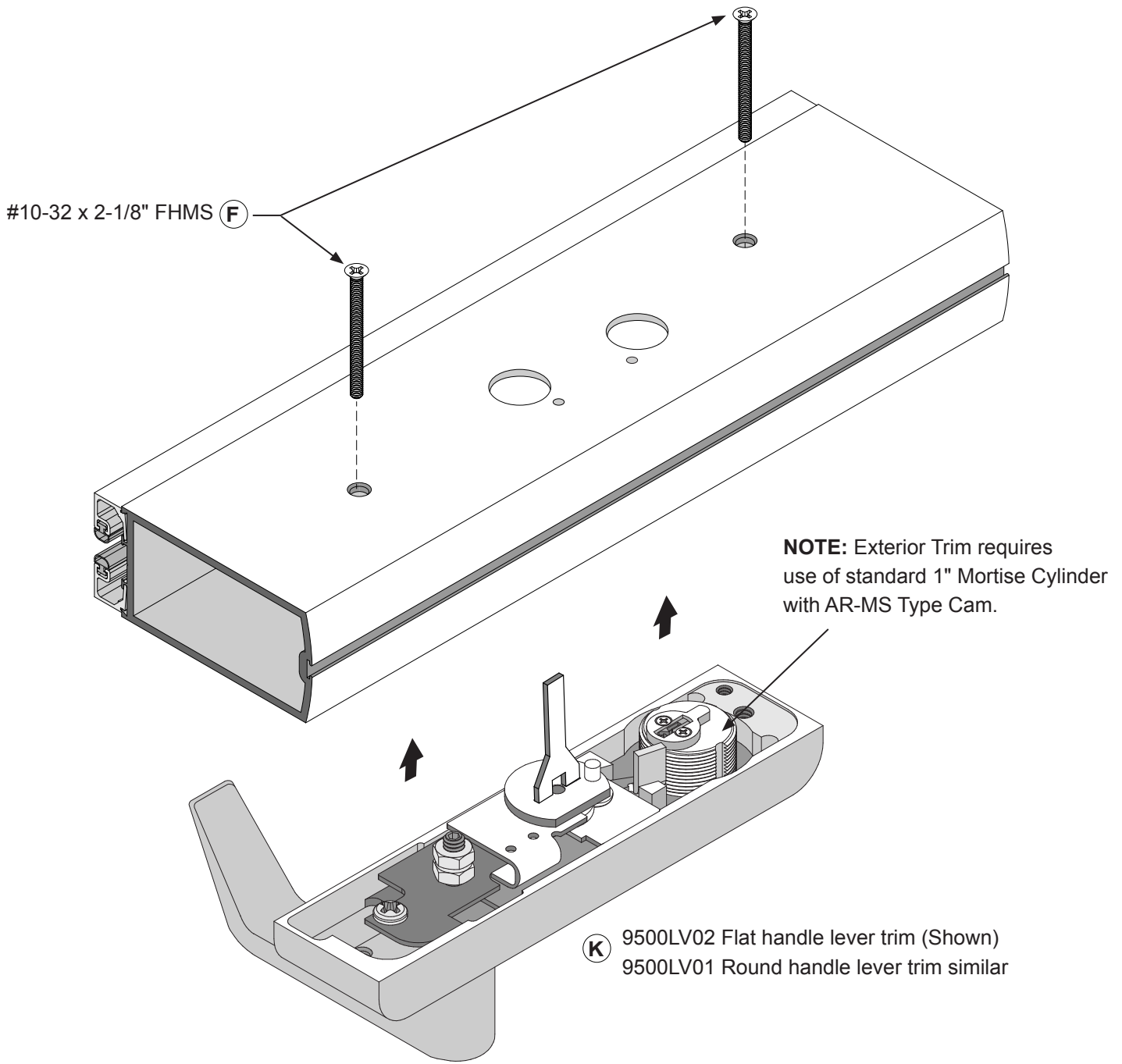


FIG. 10

NOT TO SCALE

DOOR HARDWARE INSTALLATION (CONTINUED)

INSTALLATION OF 1295 RIM PANIC EXIT DEVICE

1. Attach exit panic device to door with **(C)** (2) 12-24 x 3/4" FHMS on active stile and **(B)** (1) 1/4"-20 x 1/2" PHSMS at end cap bracket on inactive stile as shown in Fig. 11.

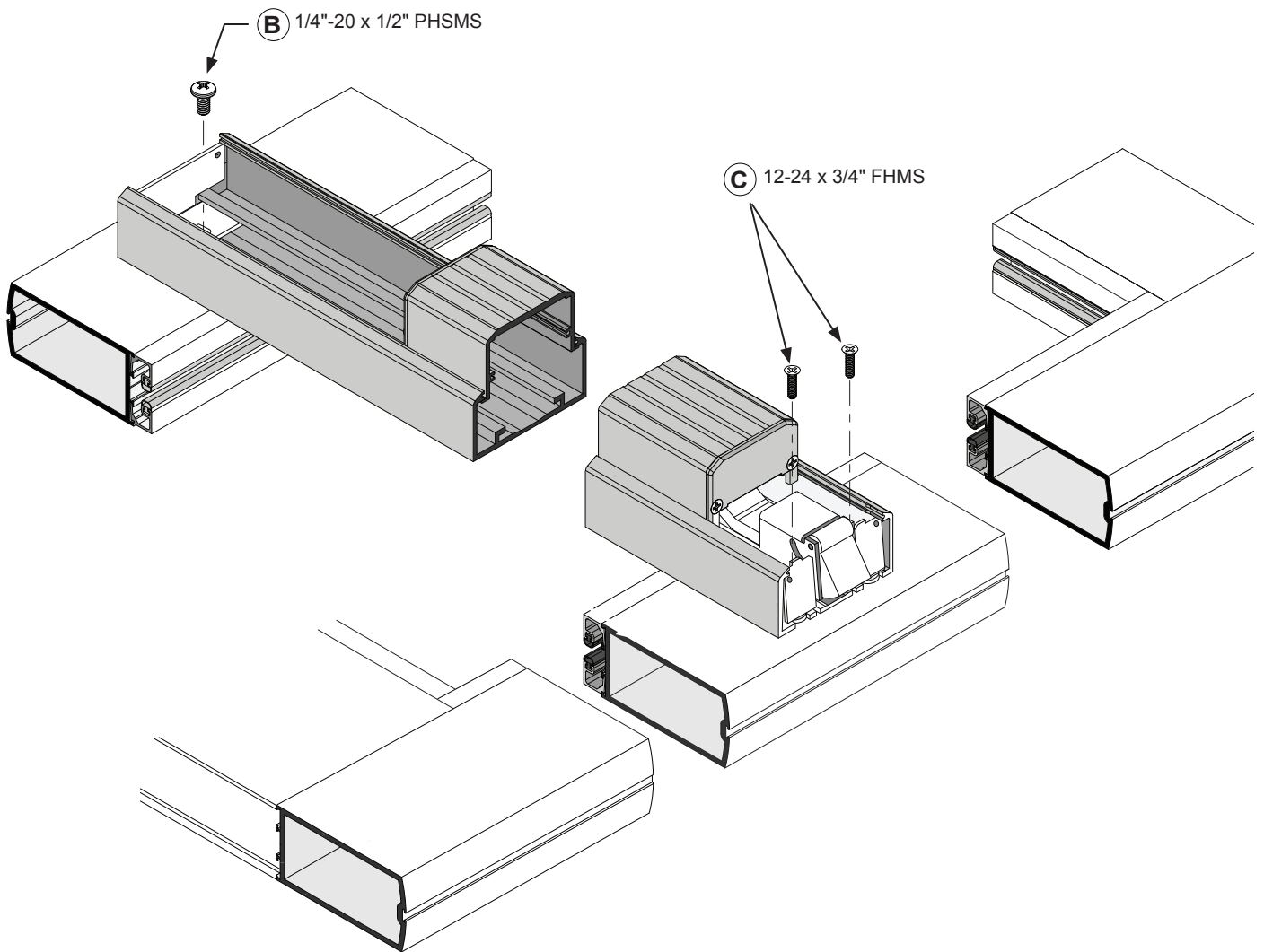


FIG. 11

NOT TO SCALE

DOOR HARDWARE INSTALLATION (CONTINUED)

INSTALLATION OF END CAPS AND COVER PLATES

1. Slide the (2) base cover plates **G** 302674 and 30267448 in place.
2. Attach both end caps to the previously attached end cap brackets with **C** (4) 8-32 x 1/4" FHMS Refer to (Fig.12).

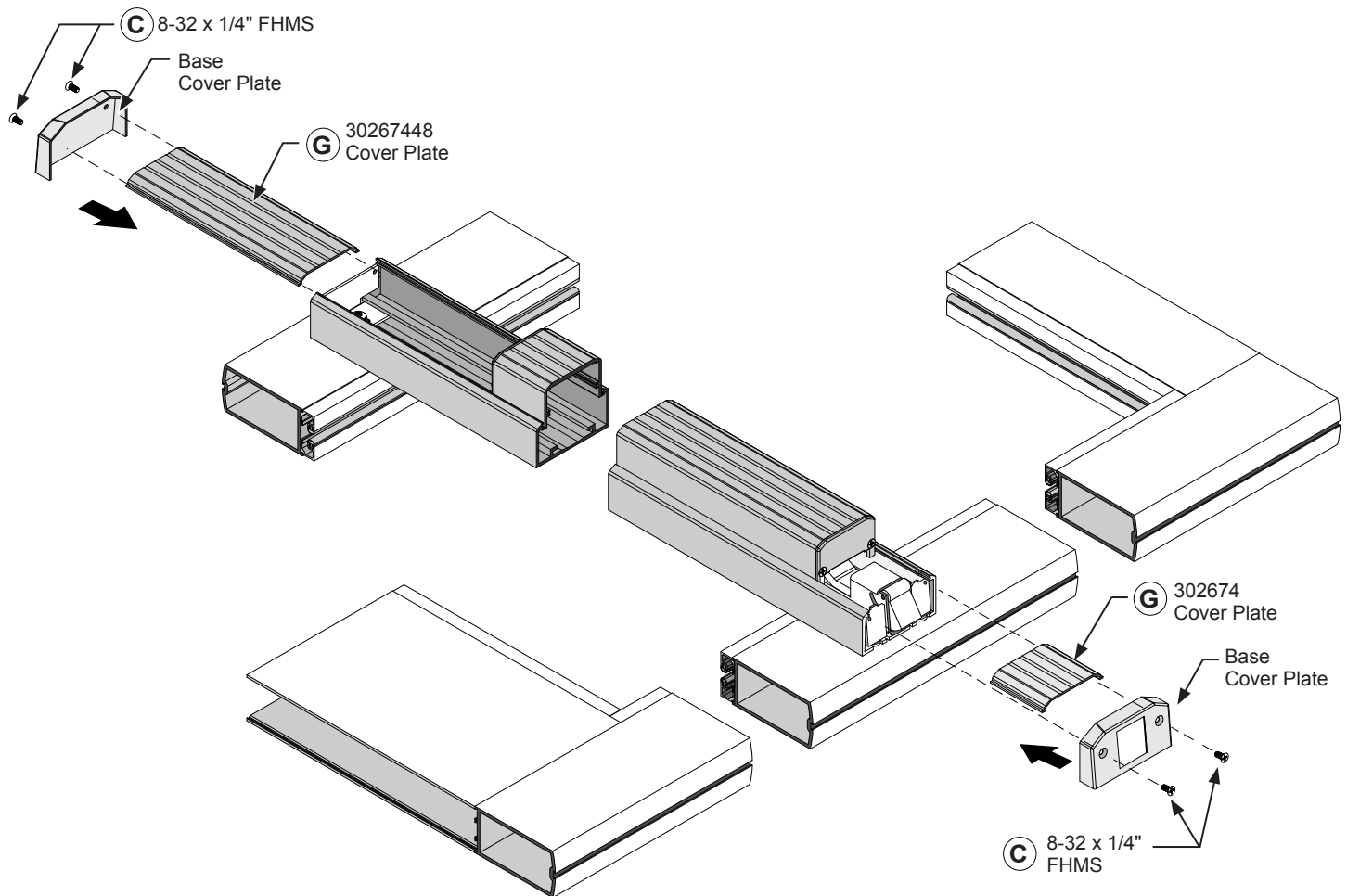


FIG. 12

NOT TO SCALE

DOOR HARDWARE INSTALLATION (CONTINUED)

FRAME PREPARATION

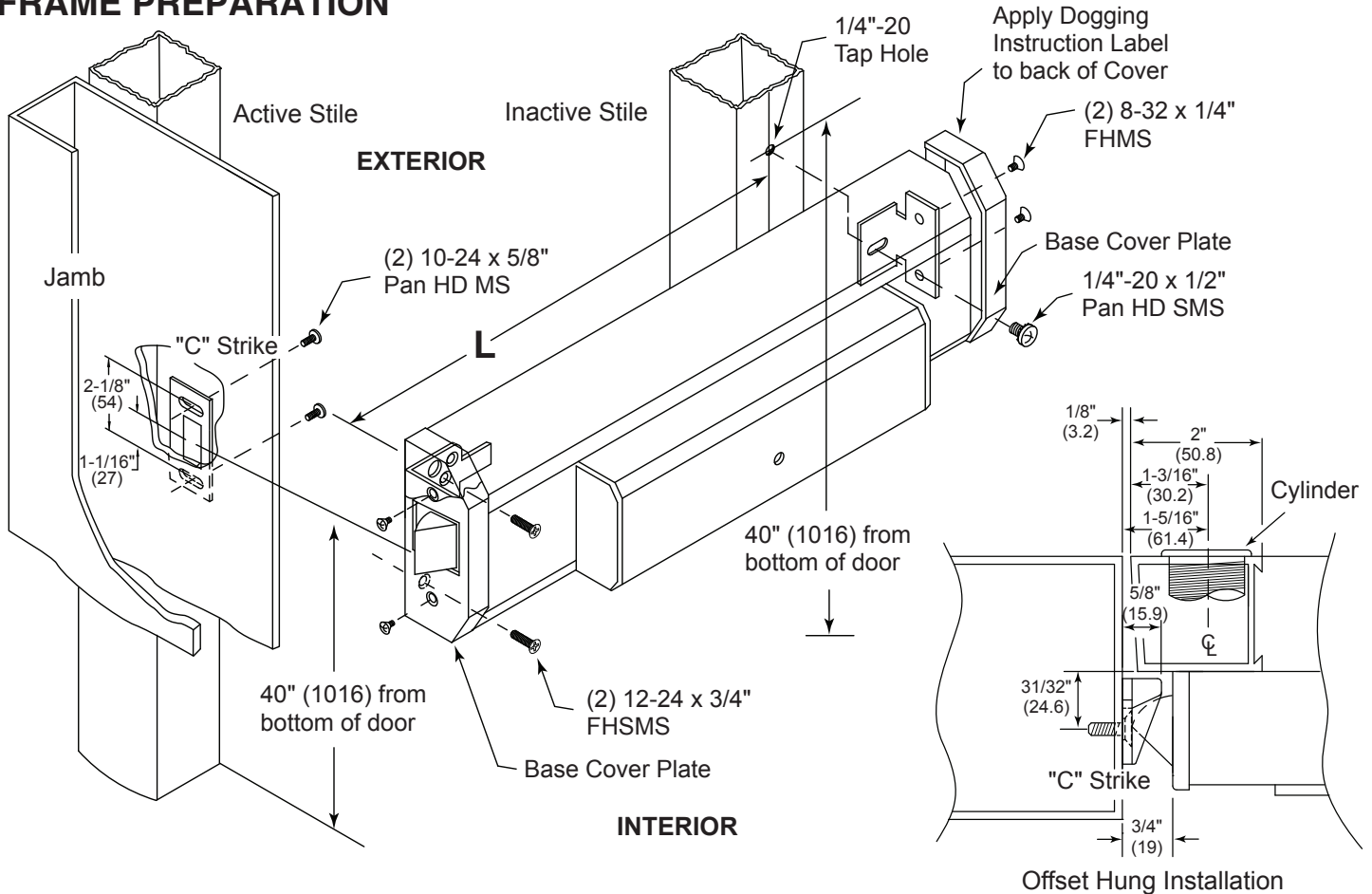


FIG. 13

Mounting Instructions

1. Prepare Lock Stile per Template, drill Cylinder mounting holes if required.
2. Locate Centerline of Cylinder on exterior of Door and drill if required.
3. Trim Tail Piece to fit into Panic Drive Bushing Assembly.
4. Mount Cylinder and secure with mounting screws. (Supplied by lock mfg.) If trim is required prepare per Template.
5. Locate mounting hole on Inactive Stile. Drill and tap 1/4"-20 Thds. 40" (1016) from the bottom of the Door.

Panic Attachment

1. Remove front and rear Base Cover Plates by removing (4) 8-32 x 1/4" Flat HD Screws. Secure active end of panic by installing (2) 12-24 x 3/4" Flat HD MS. Secure inactive end with single 1/4"-20 x 1/2" Pan HD SMS through Base Cover Plate Bracket. Re-install Base Cover Plates on each end of Panic Base.
2. To install "C" Strike, locate 10-24 tap holes on Active Stile (2 places).
3. Mount and secure "C" Strike.
4. Check operation of all parts including Cylinder (if applicable) to assure proper operation.

NOT TO SCALE

DOGGING INSTRUCTIONS

TO DOG Insert Hex Dogging Key (Cat. No. 302796). Turn Key clockwise until it stops. Depress and hold the Push Bar then release the Key. Push Bar will remain depressed. Remove Key. **(Fig. 14)**

TO UNDOG Insert Hex Dogging Key and turn clockwise until it stops. While depressing Push Bar turn and remove Key. Push Bar will become operable again. **(Fig.15)**

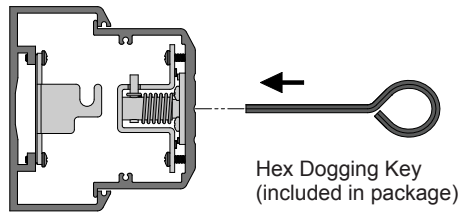


FIG. 14

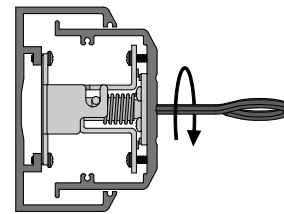


FIG. 15

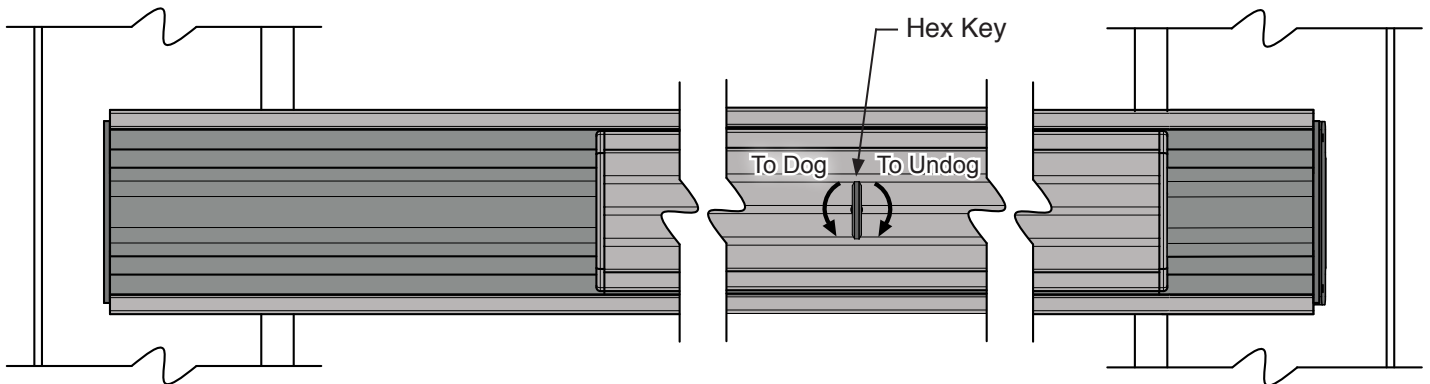
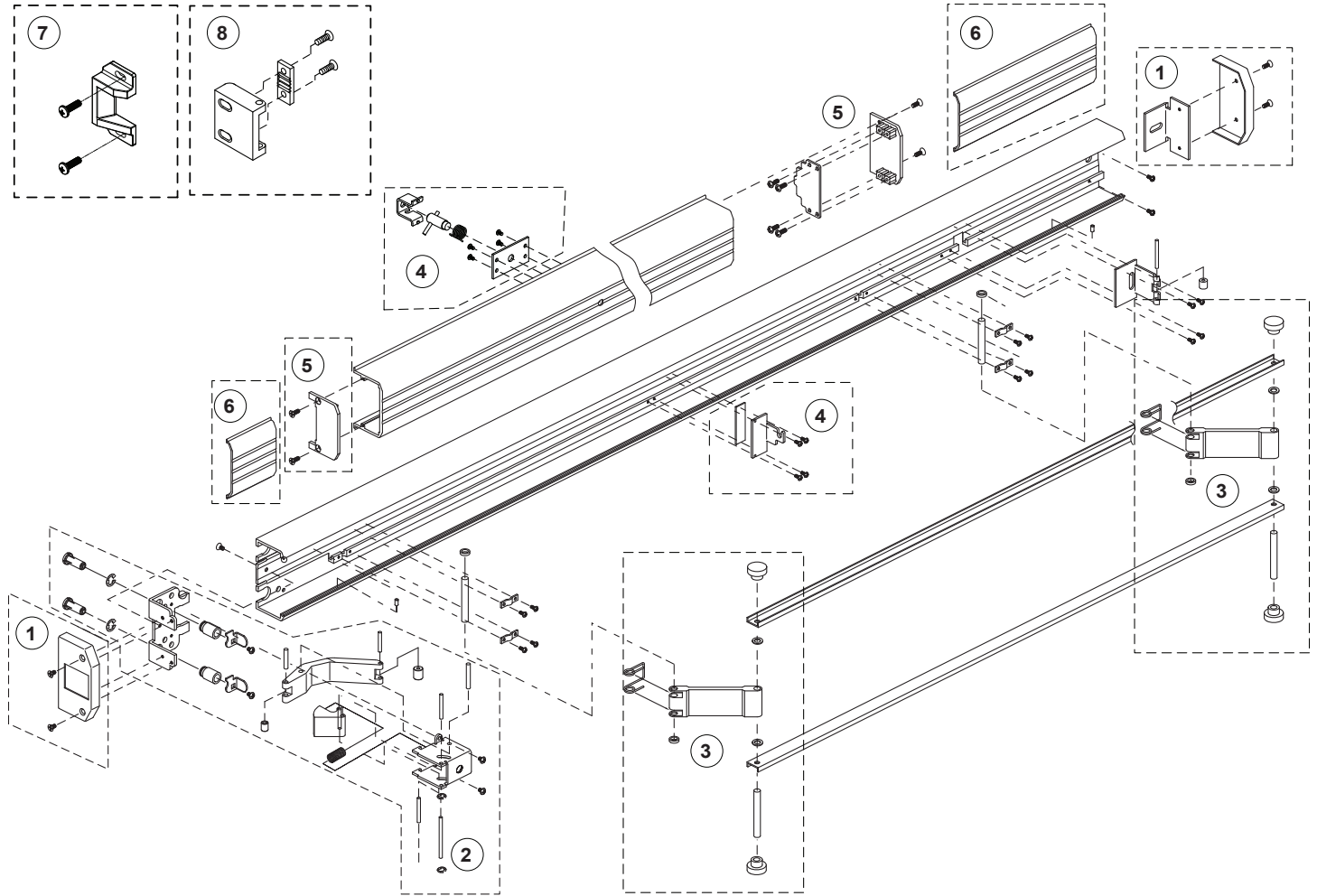


FIG. 16

NOT TO SCALE

PACKAGED PARTS AVAILABLE



| Assembly No. | Part No. | Description |
|--------------|----------|--|
| 1 | 302654 | Base End Cap Package |
| 2 | 302679 | Latch Assembly Package |
| 3 | 302664 | Control Arm Hardware Package |
| 4 | 302670 | Dogging Assembly |
| 5 | 302650 | Push Pad End Cap Package |
| 6 | 302674 | Cover Plate Package - Ribbed - 3/0 Panic |
| 6 | 30267448 | Cover Plate Package - Ribbed - 4/0 Panic |
| 6 | 302674S | Cover Plate Package - Smooth - 3/0 Panic |
| 7 | 302436 | "C" Type - Surface Mounted Strike |
| 8 | 302501 | "S" Type - Surface Mounted Strike |
| Not Shown | 302796 | Dogging Hex Key (2 Pkg.) |