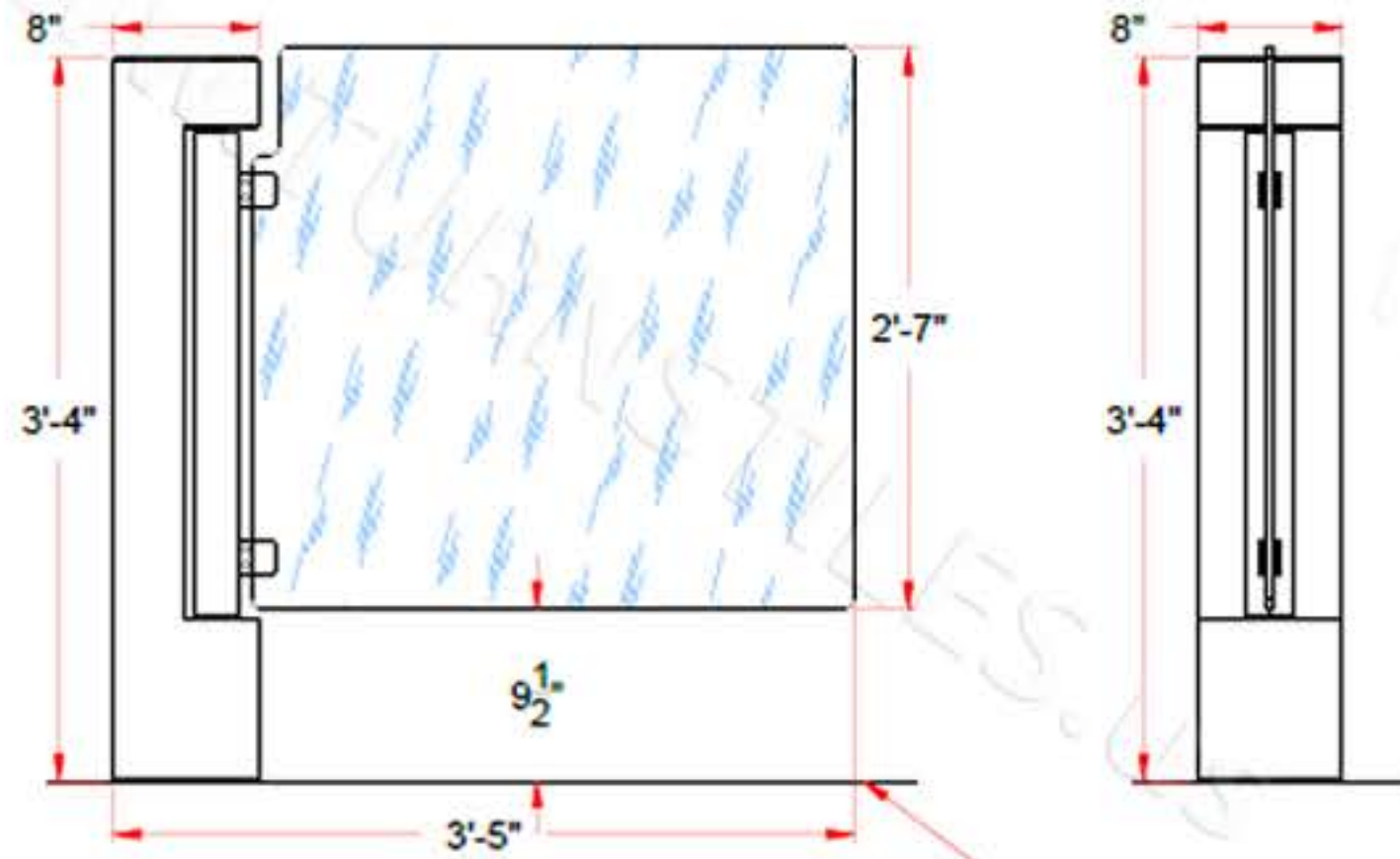
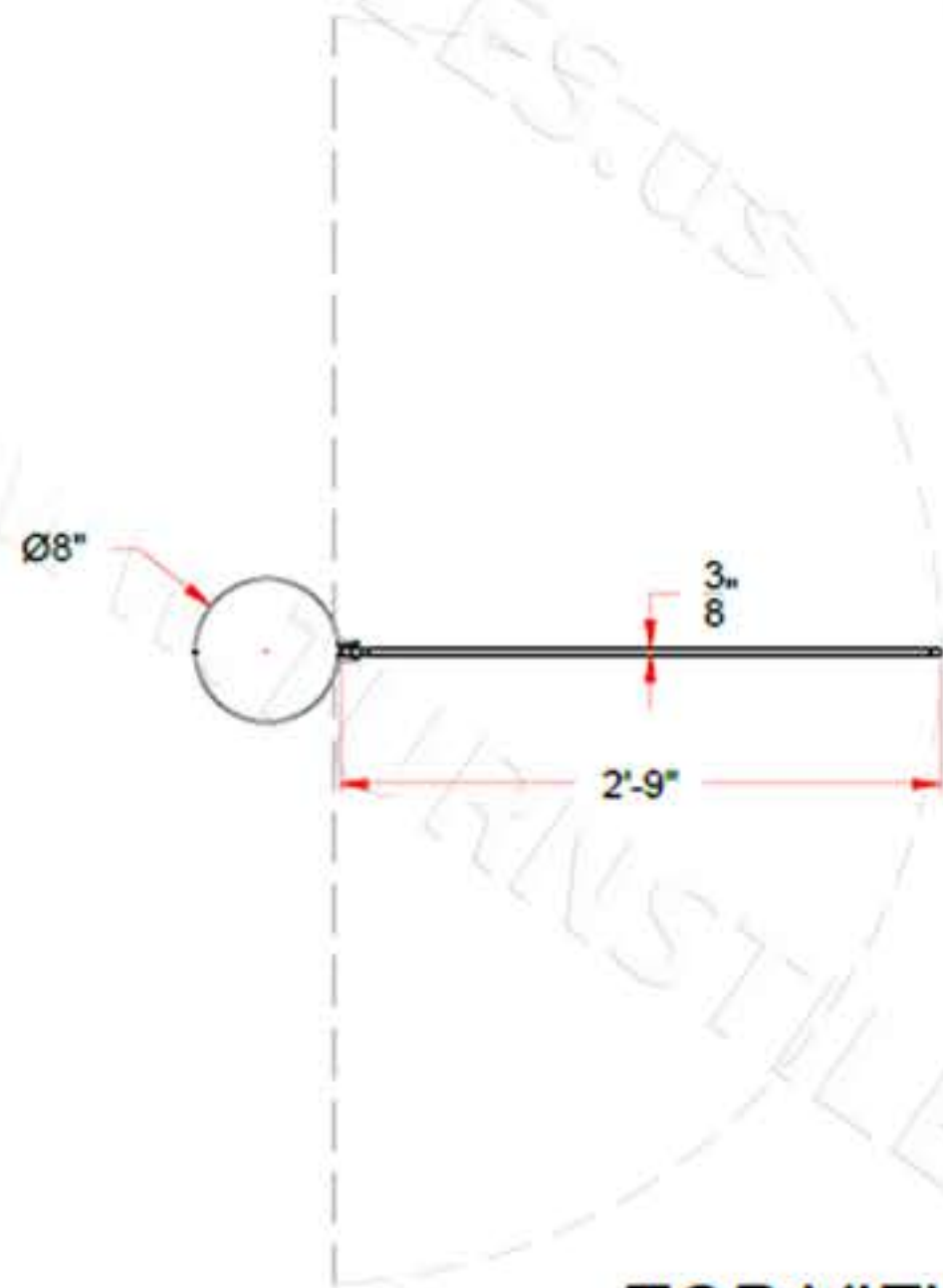
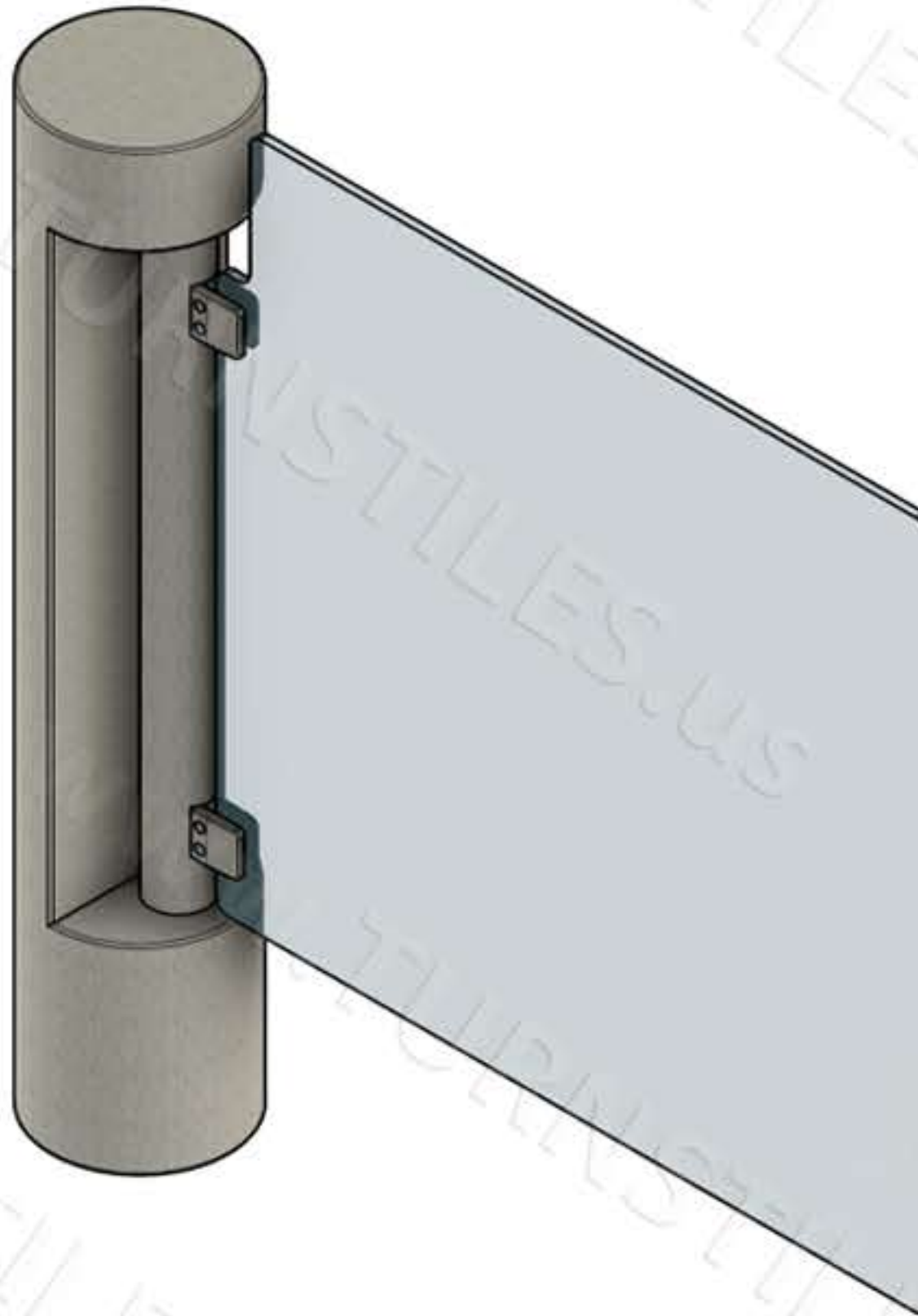


MOTORIZED SWING GATE



ELEVATIONS
APPROACH AND SIDE

FINISHED FLOOR



TOP VIEW

AUTHORIZED SIGNATURE: _____ DATE: ___/___/___

FIRST DRAWN	BY
03/01/2022	TUS
REVISED	BY

COPYRIGHT © TURNSTILES.US
 Copyright © Turnstiles.us All rights reserved. Reproduction or translation of this work without the express written permission of TURNSTILES.us is unlawful and is an infringement of intellectual property belonging to TURNSTILES.us. All drawings and/or designs are restricted for use exclusively with a purchase, installation, and/or support from Turnstiles.us. Any other use of these materials is a violation of copyright law. Request for additional information should be addressed to the Legal Department, Turnstiles.us.

TURNSTILES.US
 www.TURNSTILES.us
 Call 303 670 1099 * Text 303 918 9787
 patrick.mcallister@turnstiles.us

Waist High Motorized Swing Gate Equipment Dimension Detail	
DWG	MOTORIZED SWING GATE ELD
DATE	03/01/2022
SHEET 1 OF 1	