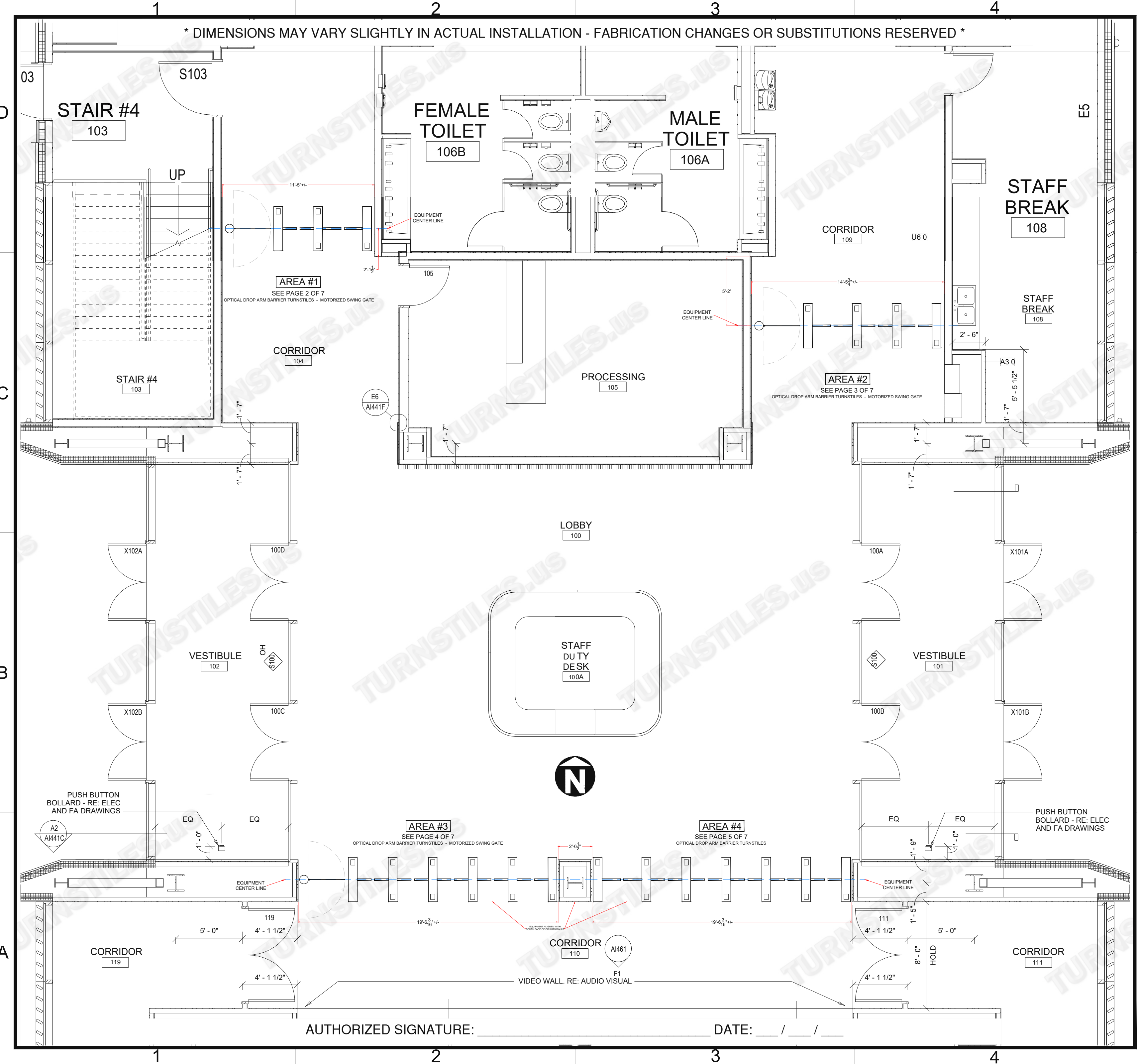


\* DIMENSIONS MAY VARY SLIGHTLY IN ACTUAL INSTALLATION - FABRICATION CHANGES OR SUBSTITUTIONS RESERVED \*

FIRST DRAWN	BY
02-28-22	CJC
REVISED	BY

**COPYRIGHT © TURNSTILES.US**  
 Copyright © Turnstiles.us All rights reserved. Reproduction or translation of this work without the express written permission of TURNSTILES.US is unlawful and is an infringement of intellectual property belonging to TURNSTILES.US.  
 All drawings and/or designs are restricted for use exclusively with a purchase, installation, and/or support from Turnstiles.us. Any other use of these materials is a violation of copyright law. Request for additional information should be addressed to the Legal Department, Turnstiles.us.

**TURNSTILES.US**  
 www.TURNSTILES.us  
 Call 303 670 1099 \* Text 303 918 9787  
 patrick.mcallister@turnstiles.us

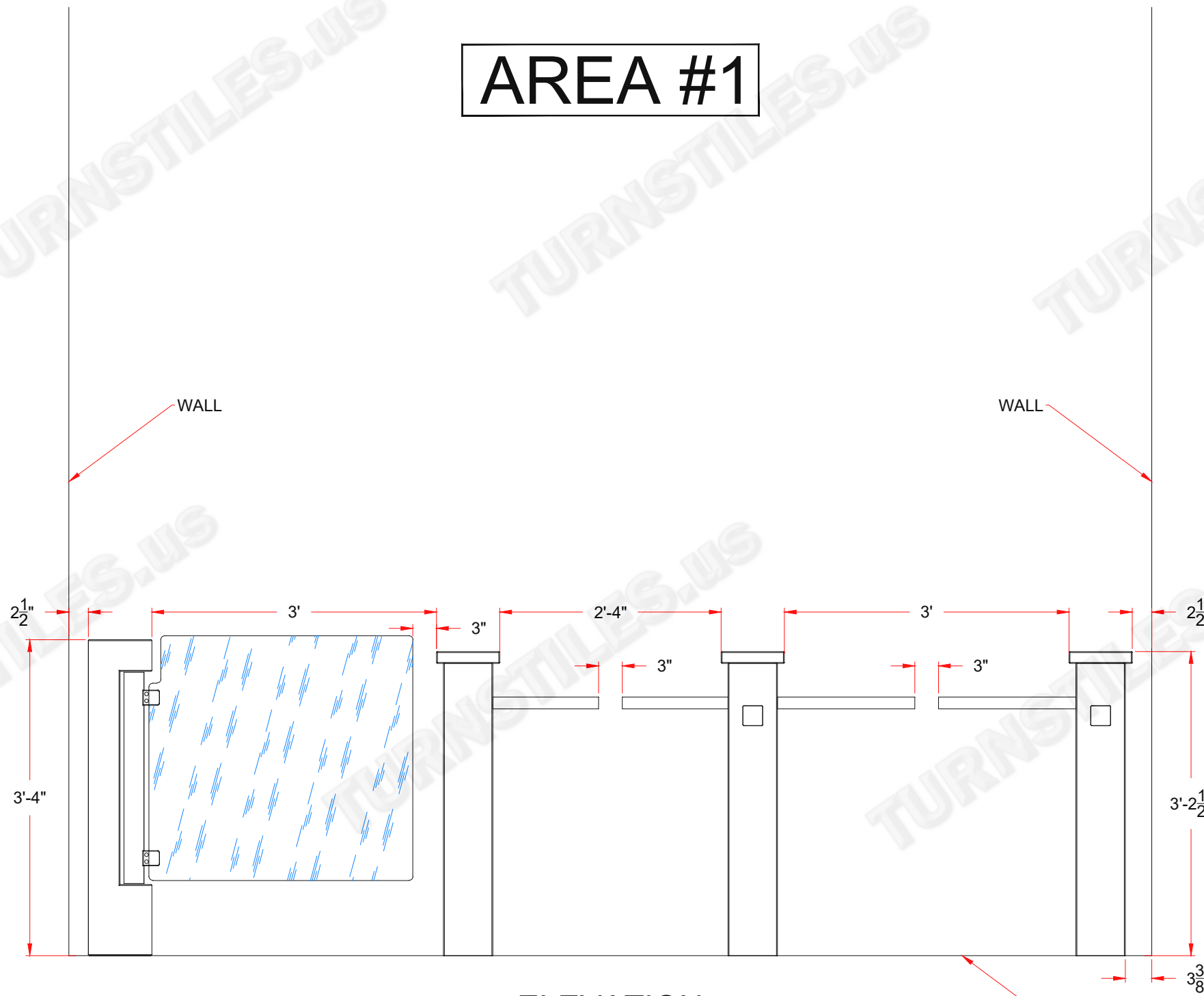


AUTHORIZED SIGNATURE: \_\_\_\_\_ DATE: \_\_\_ / \_\_\_ / \_\_\_

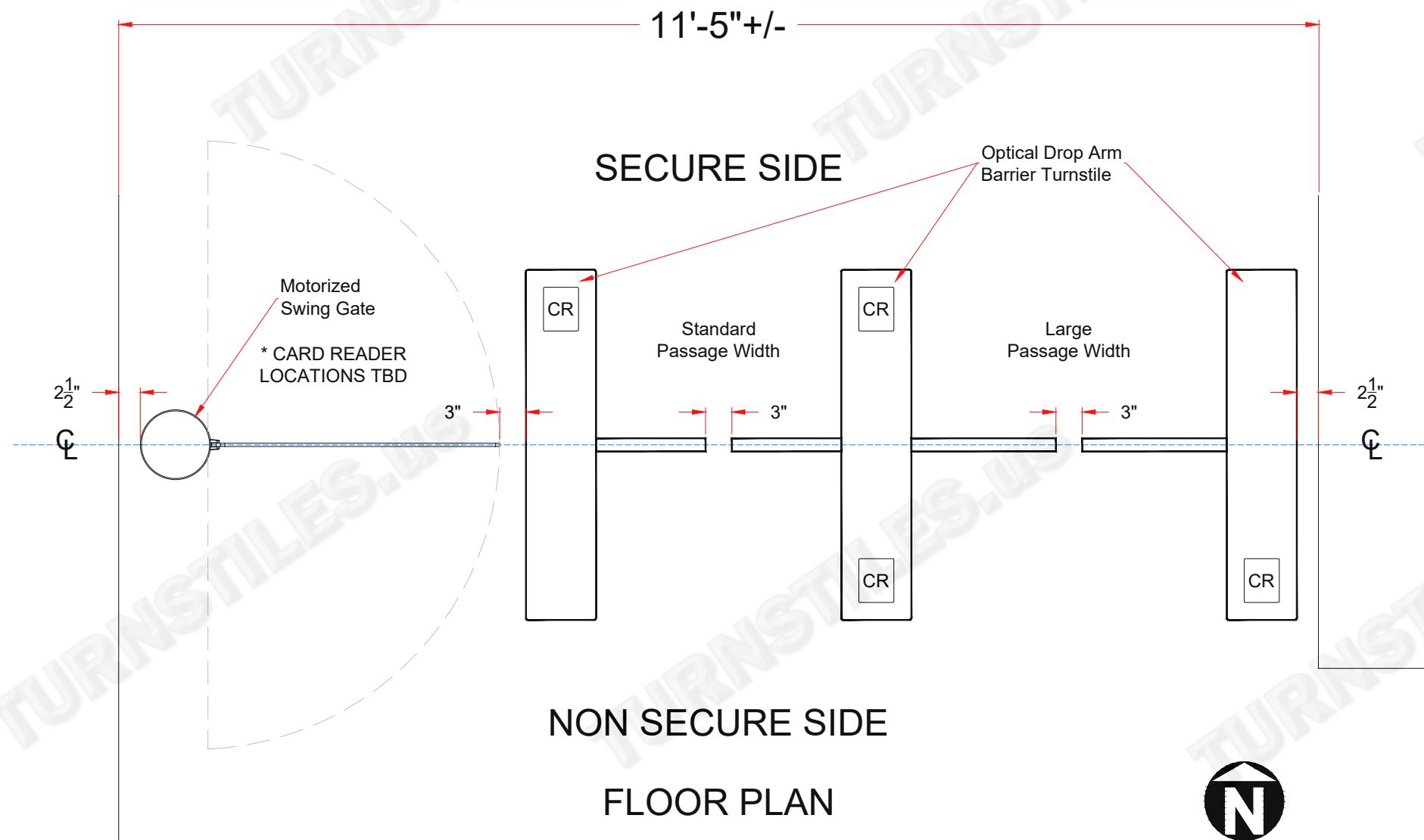
ALL LOCATIONS	
J Kokolakis Contracting Inc. Ft. Gordon - Cyber Instructional Facility Optical Drop-arm Barrier Turnstiles Motorized Swing Gates	
DWG	J Kokolakis Ft. Gordon, GA ELD
DATE	02-28-23
SHEET - 1 OF 7	

\* DIMENSIONS MAY VARY SLIGHTLY IN ACTUAL INSTALLATION - FABRICATION CHANGES OR SUBSTITUTIONS RESERVED \*

**AREA #1**



**ELEVATION**  
**VIEW FROM SOUTH LOOKING NORTH**  
 EQUIPMENT DETAILS AND DIMENSIONS ON PAGE 6 OF 7



**NON SECURE SIDE**  
**FLOOR PLAN**

**SYMBOLS**  
 CL = EQUIPMENT CENTER LINE  
 CR = CARD READER LOCATION (Typ.)

AUTHORIZED SIGNATURE: \_\_\_\_\_ DATE: \_\_\_ / \_\_\_ / \_\_\_

FIRST DRAWN	BY
02-28-22	CJC
REVISED	BY

**COPYRIGHT © TURNSTILES.US**  
 Copyright © Turnstiles.us All rights reserved. Reproduction or translation of this work without the express written permission of TURNSTILES.US is unlawful and is an infringement of intellectual property belonging to TURNSTILES.US.  
 All drawings and/or designs are restricted for use exclusively with a purchase, installation, and/or support from Turnstiles.us. Any other use of these materials is a violation of copyright law. Request for additional information should be addressed to the Legal Department, Turnstiles.us.

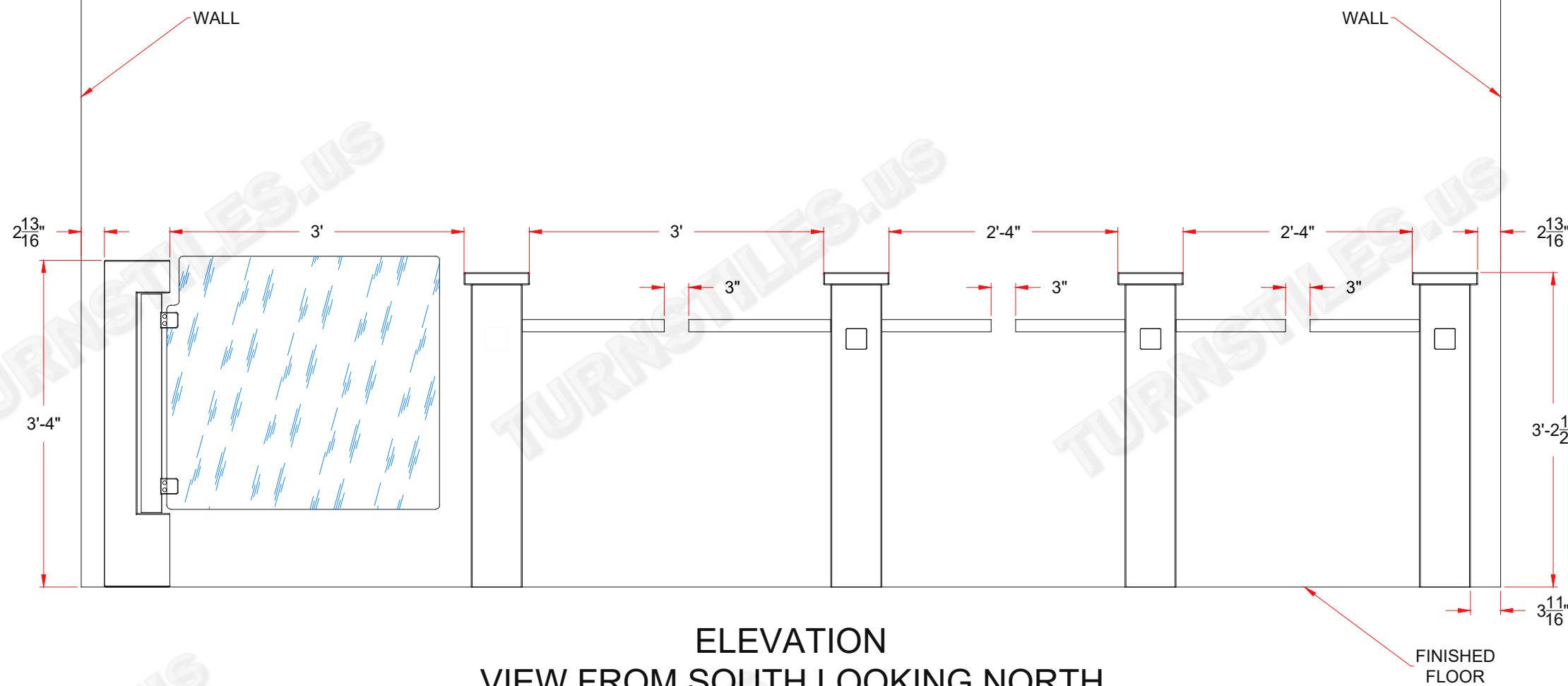
**TURNSTILES.US**  
 www.TURNSTILES.us  
 Call 303 670 1099 \* Text 303 918 9787  
 patrick.mcallister@turnstiles.us

<b>EQUIPMENT LOCATION DETAIL</b>	
J Kokolakis Contracting Inc. Ft. Gordon - Cyber Instructional Facility Optical Drop-arm Barrier Turnstiles Motorized Swing Gates	
DWG	J Kokolakis Ft. Gordon, GA ELD
DATE	02-28-23
SHEET - 2 OF 7	

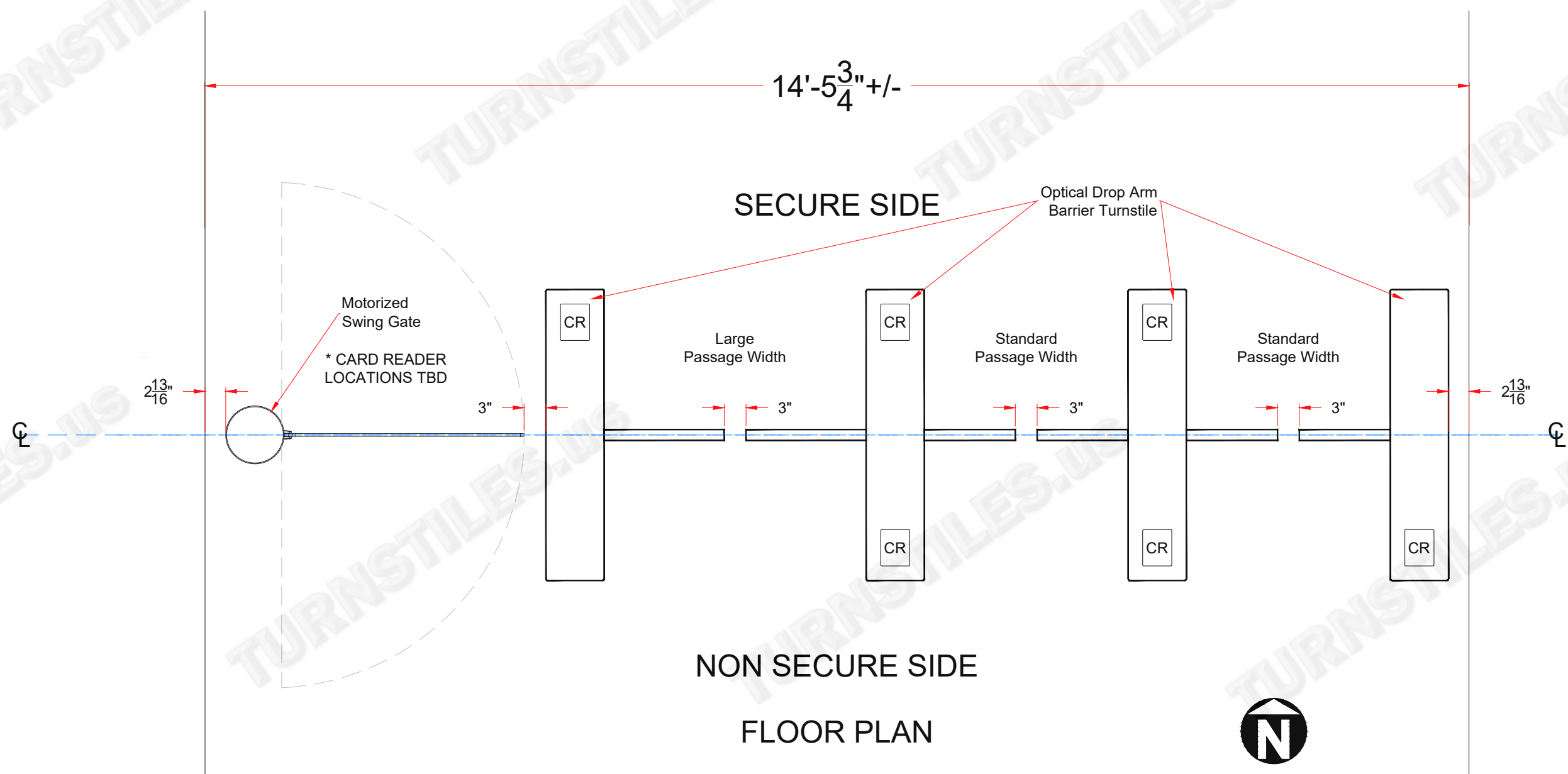


\* DIMENSIONS MAY VARY SLIGHTLY IN ACTUAL INSTALLATION - FABRICATION CHANGES OR SUBSTITUTIONS RESERVED \*

# AREA #2



ELEVATION  
VIEW FROM SOUTH LOOKING NORTH  
EQUIPMENT DETAILS AND DIMENSIONS ON PAGE 6 OF 7



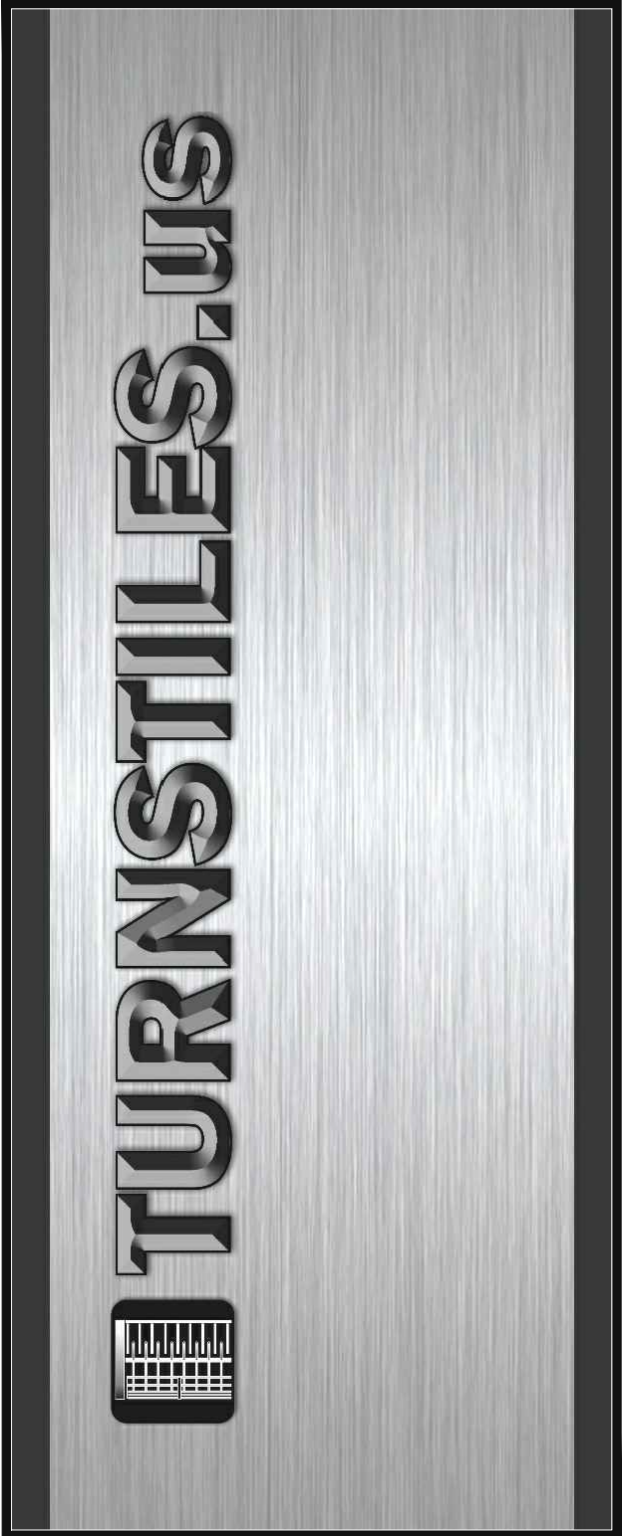
NON SECURE SIDE  
FLOOR PLAN

**SYMBOLS**  
 CL = EQUIPMENT CENTER LINE  
 CR = CARD READER LOCATION (Typ.)

AUTHORIZED SIGNATURE: \_\_\_\_\_ DATE: \_\_\_ / \_\_\_ / \_\_\_

FIRST DRAWN	BY
02-28-22	CJC
REVISED	BY

**COPYRIGHT © TURNSTILES.US**  
 Copyright © Turnstiles.us All rights reserved. Reproduction or translation of this work without the express written permission of TURNSTILES.us is unlawful and is an infringement of intellectual property belonging to TURNSTILES.us.  
 All drawings and/or designs are restricted for use exclusively with a purchase, installation, and/or support from Turnstiles.us. Any other use of these materials is a violation of copyright law. Request for additional information should be addressed to the Legal Department, Turnstiles.us.



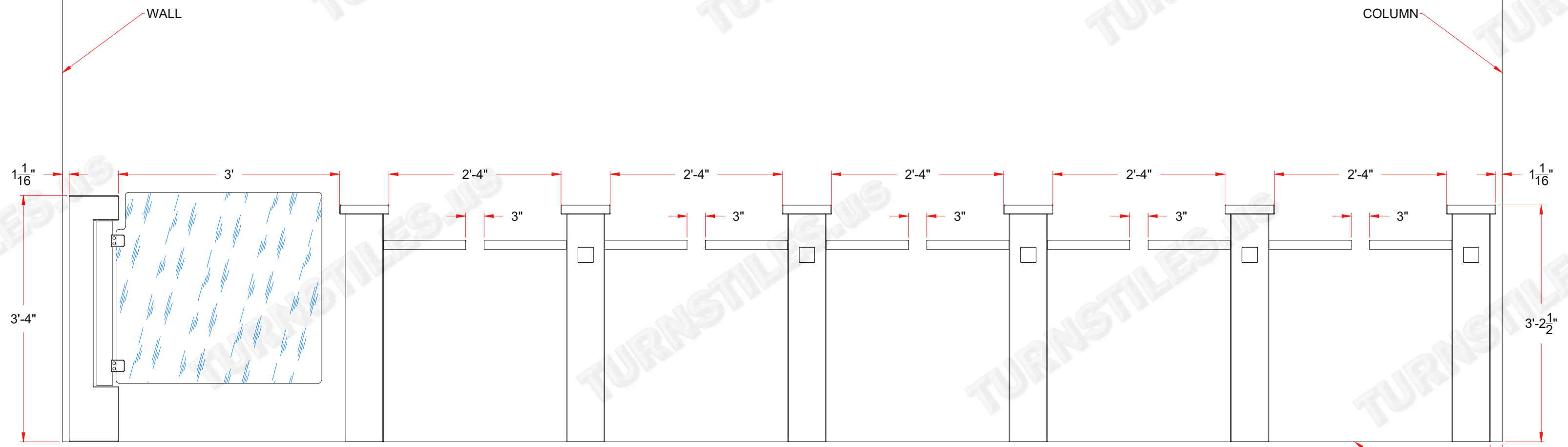
<b>EQUIPMENT LOCATION DETAIL</b>	
J Kokolakis Contracting Inc. Ft. Gordon - Cyber Instructional Facility Optical Drop-arm Barrier Turnstiles Motorized Swing Gates	
DWG	J Kokolakis Ft. Gordon, GA ELD
DATE	02-28-23
SHEET - 3 OF 7	

\* DIMENSIONS MAY VARY SLIGHTLY IN ACTUAL INSTALLATION - FABRICATION CHANGES OR SUBSTITUTIONS RESERVED \*

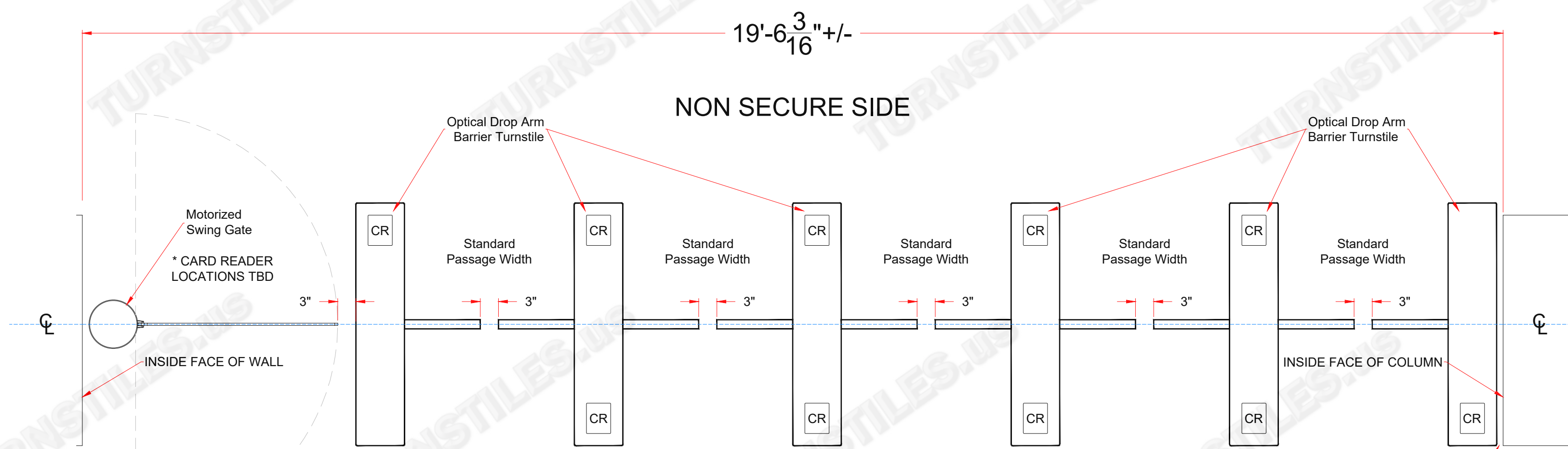
# AREA #3

FIRST DRAWN	BY
02-28-22	CJC
REVISED	BY

**COPYRIGHT © TURNSTILES.US**  
 Copyright © Turnstiles.us All rights reserved. Reproduction or translation of this work without the express written permission of TURNSTILES.us is unlawful and is an infringement of intellectual property belonging to TURNSTILES.us.  
 All drawings and/or designs are restricted for use exclusively with a purchase, installation, and/or support from Turnstiles.us. Any other use of these materials is a violation of copyright law. Request for additional information should be addressed to the Legal Department, Turnstiles.us.



**ELEVATION**  
 VIEW FROM SOUTH LOOKING NORTH  
 EQUIPMENT DETAILS AND DIMENSIONS ON PAGE 6 OF 7



**NON SECURE SIDE**  
**SECURE SIDE**  
**FLOOR PLAN**

**SYMBOLS**  
 CL = EQUIPMENT CENTER LINE  
 CR = CARD READER LOCATION (Typ.)

AUTHORIZED SIGNATURE: \_\_\_\_\_ DATE: \_\_\_ / \_\_\_ / \_\_\_



<b>EQUIPMENT LOCATION DETAIL</b>	
J Kokolakis Contracting Inc. Ft. Gordon - Cyber Instructional Facility Optical Drop-arm Barrier Turnstiles Motorized Swing Gates	
DWG	J Kokolakis Ft. Gordon, GA ELD
DATE	02-28-23
SHEET - 4 OF 7	

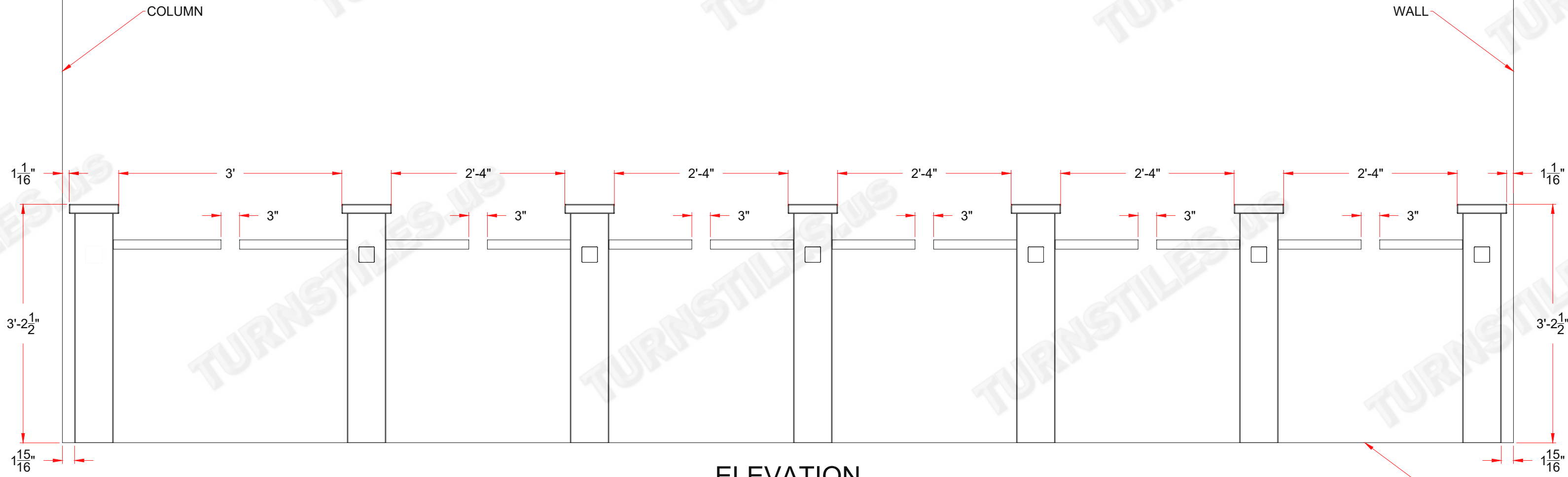


\* DIMENSIONS MAY VARY SLIGHTLY IN ACTUAL INSTALLATION - FABRICATION CHANGES OR SUBSTITUTIONS RESERVED \*

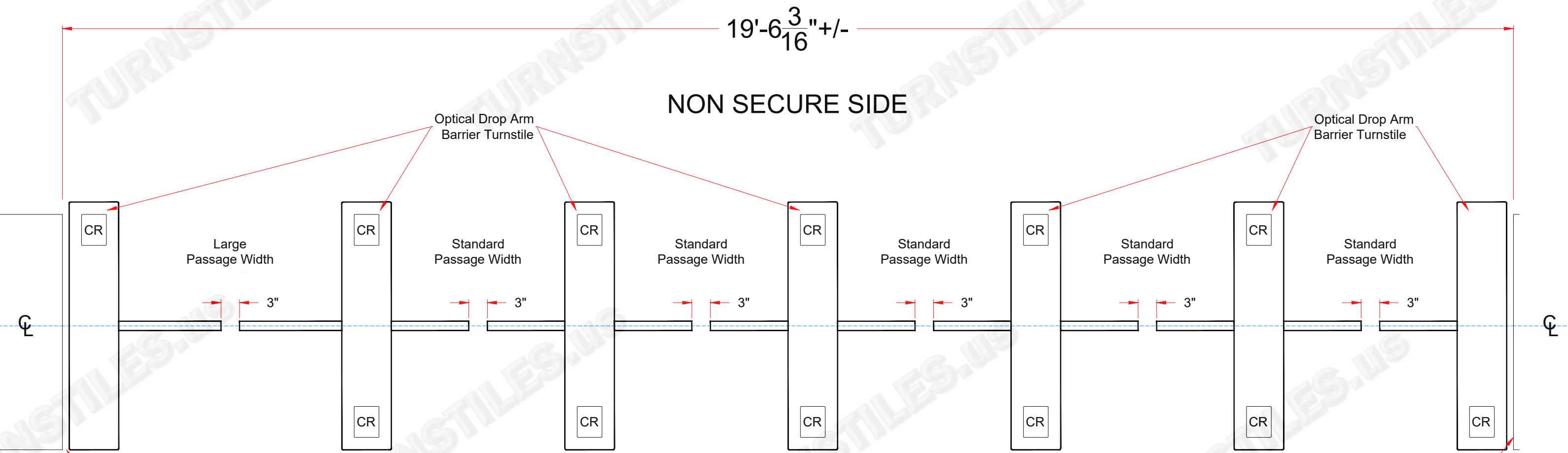
# AREA #4

FIRST DRAWN	BY
02-28-22	CJC
REVISED	BY

**COPYRIGHT © TURNSTILES.US**  
 Copyright © Turnstiles.us All rights reserved. Reproduction or translation of this work without the express written permission of TURNSTILES.us is unlawful and is an infringement of intellectual property belonging to TURNSTILES.us.  
 All drawings and/or designs are restricted for use exclusively with a purchase, installation, and/or support from Turnstiles.us. Any other use of these materials is a violation of copyright law. Request for additional information should be addressed to the Legal Department, Turnstiles.us.



**ELEVATION**  
 VIEW FROM SOUTH LOOKING NORTH  
 EQUIPMENT DETAILS AND DIMENSIONS ON PAGE 6 OF 7



**SECURE SIDE**  
**FLOOR PLAN**

**SYMBOLS**  
 CL = EQUIPMENT CENTER LINE  
 CR = CARD READER LOCATION (Typ.)

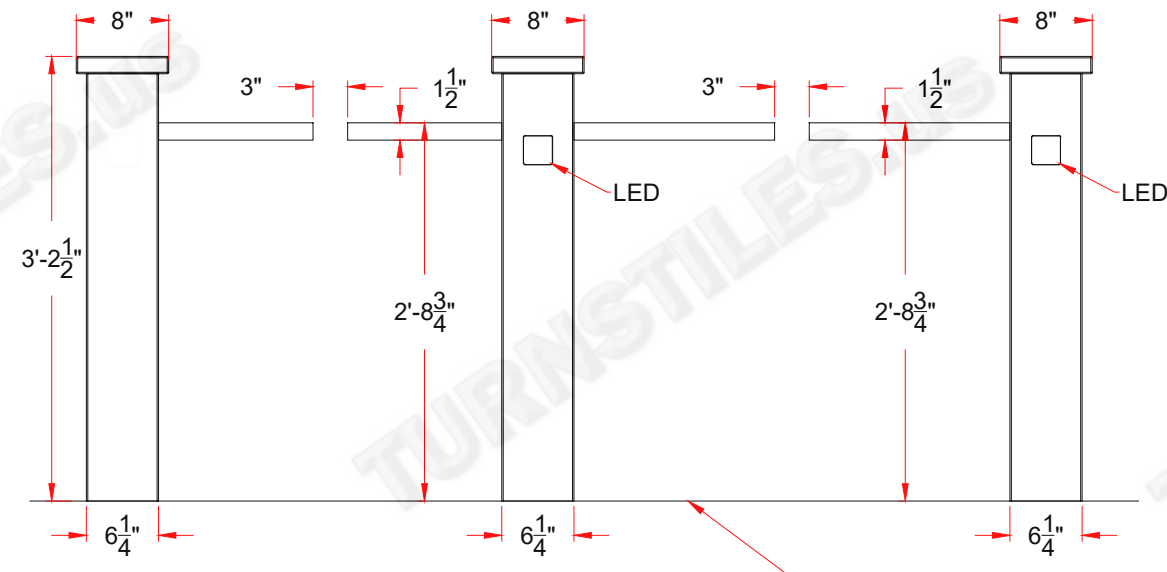
AUTHORIZED SIGNATURE: \_\_\_\_\_ DATE: \_\_\_ / \_\_\_ / \_\_\_



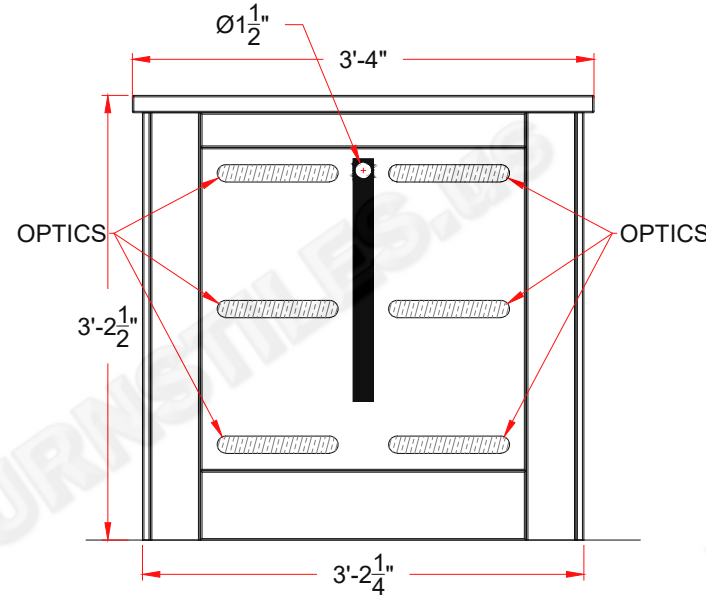
<b>EQUIPMENT LOCATION DETAIL</b>	
J Kokolakis Contracting Inc. Ft. Gordon - Cyber Instructional Facility Optical Drop-arm Barrier Turnstiles Motorized Swing Gates	
DWG	J Kokolakis Ft. Gordon, GA ELD
DATE	02-28-23
SHEET - 5 OF 7	

\* DIMENSIONS MAY VARY SLIGHTLY IN ACTUAL INSTALLATION - FABRICATION CHANGES OR SUBSTITUTIONS RESERVED \*

**OPTICAL DROP ARM BARRIER TURNSTILE**

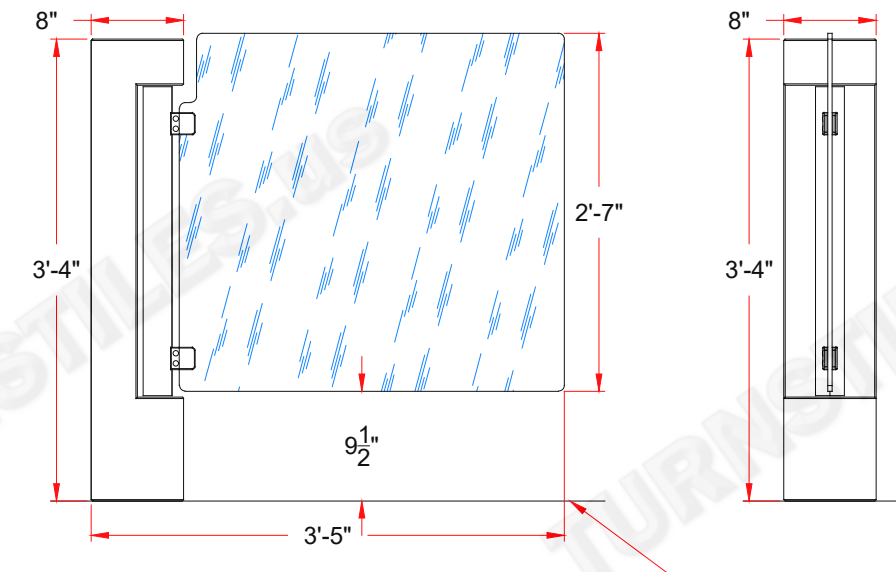


**ELEVATION  
PASSAGE WIDTHS**

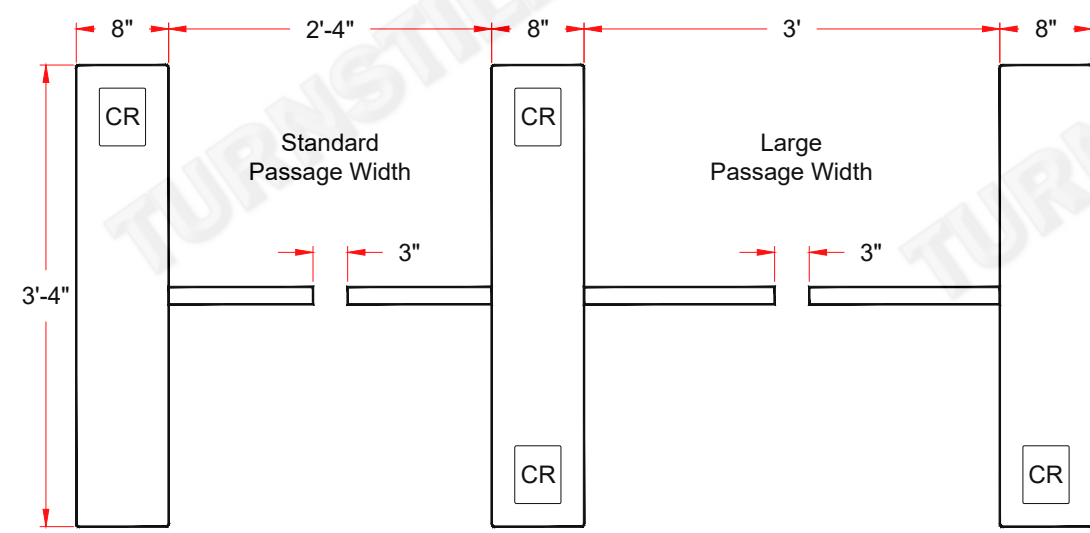


**ELEVATION  
CABINET INNER FACE**

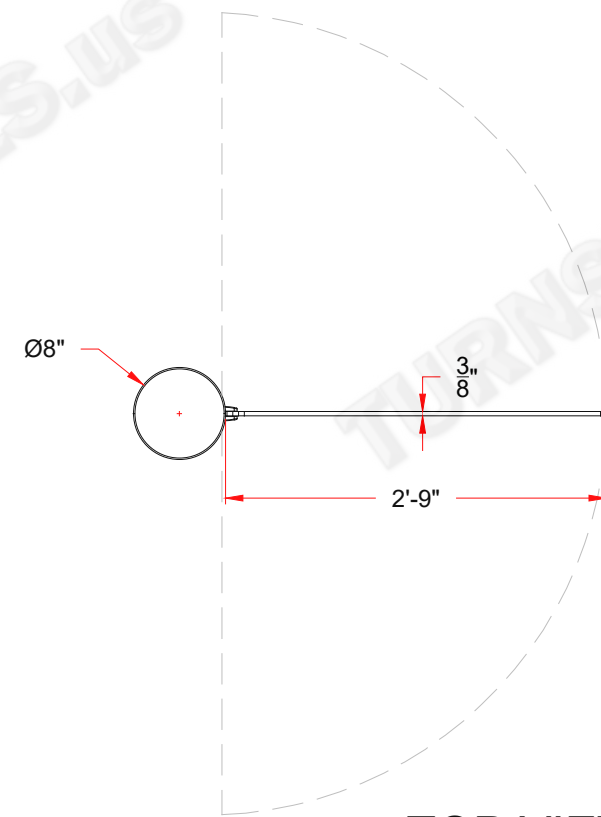
**MOTORIZED SWING GATE**



**ELEVATIONS  
APPROACH AND SIDE**



**CABINET TOP VIEW**



**TOP VIEW**

ANCHOR, BASE, & CONDUIT OPENING  
DETAILS SHOWN ON PAGE 7 OF 7

AUTHORIZED SIGNATURE: \_\_\_\_\_ DATE: \_\_\_ / \_\_\_ / \_\_\_

FIRST DRAWN	BY
02-28-22	CJC
REVISED	BY

**COPYRIGHT © TURNSTILES.US**  
Copyright © Turnstiles.us All rights reserved. Reproduction or translation of this work without the express written permission of TURNSTILES.US is unlawful and is an infringement of intellectual property belonging to TURNSTILES.US.  
All drawings and/or designs are restricted for use exclusively with a purchase, installation, and/or support from Turnstiles.us. Any other use of these materials is a violation of copyright law. Request for additional information should be addressed to the Legal Department, Turnstiles.us.

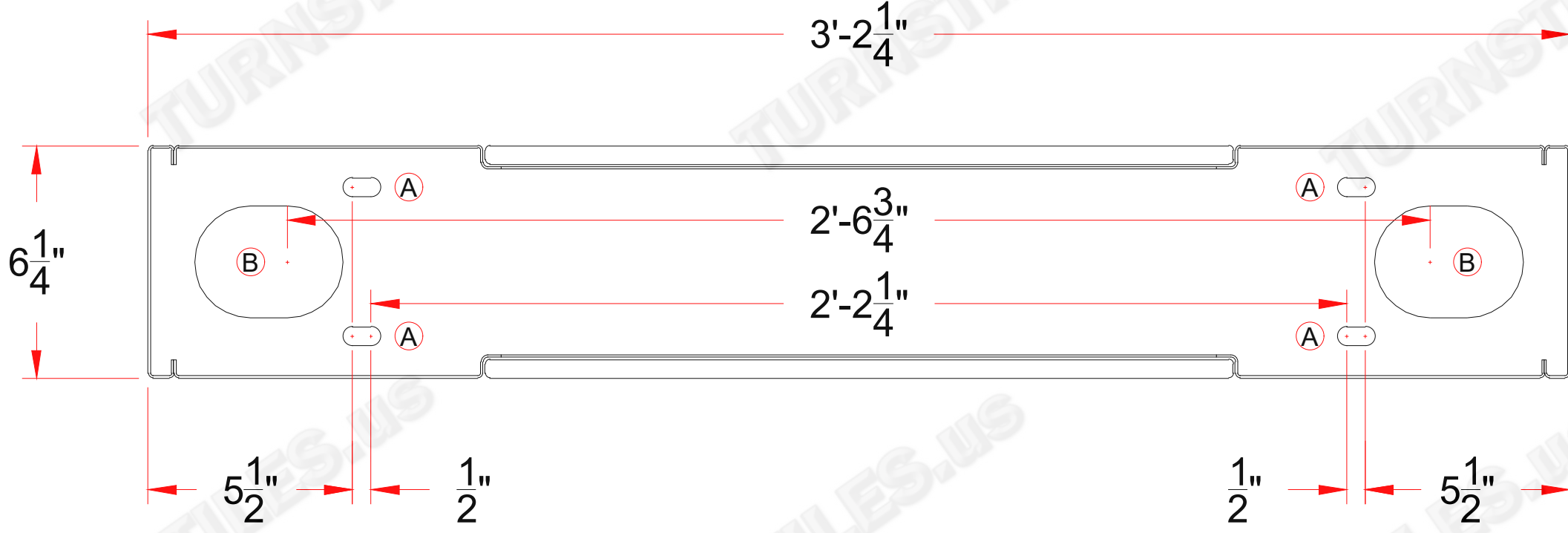
**TURNSTILES.US**  
www.TURNSTILES.us  
Call 303 670 1099 \* Text 303 918 9787  
patrick.mcallister@turnstiles.us

<b>EQUIPMENT DETAILS</b>	
J Kokolakis Contracting Inc. Ft. Gordon - Cyber Instructional Facility Optical Drop-arm Barrier Turnstiles Motorized Swing Gates	
DWG	J Kokolakis Ft. Gordon, GA ELD
DATE	02-28-23
SHEET - 6 OF 7	

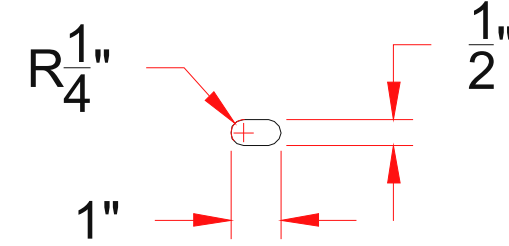


\* DIMENSIONS MAY VARY SLIGHTLY IN ACTUAL INSTALLATION - FABRICATION CHANGES OR SUBSTITUTIONS RESERVED \*

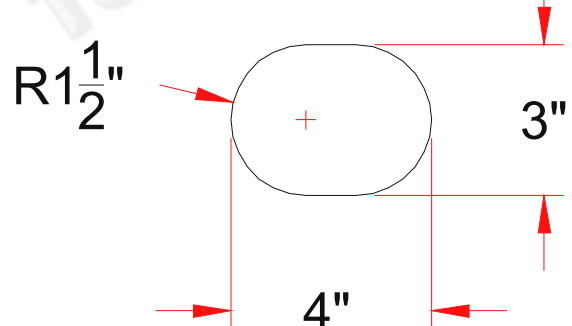
### DROP ARM TURNSTILE - BASE PLATE ANCHOR & CONDUIT LOCATION DETAIL



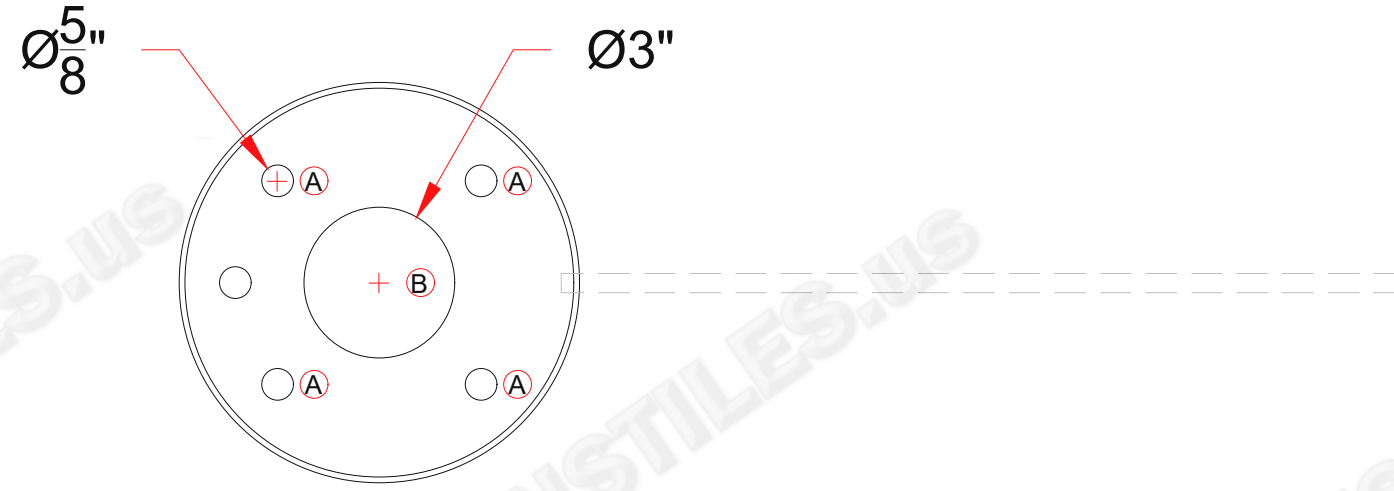
(A) - Anchor Hole x4



(B) - Conduit Opening x2



### MOTORIZED SWING GATE - BASE PLATE ANCHOR & CONDUIT LOCATION DETAIL



(A) - Anchor Hole x4

(B) - Conduit Opening x1

AUTHORIZED SIGNATURE: \_\_\_\_\_ DATE: \_\_\_ / \_\_\_ / \_\_\_

FIRST DRAWN	BY
02-28-22	CJC
REVISED	BY
COPYRIGHT © TURNSTILES.US Copyright © Turnstiles.us All rights reserved. Reproduction or translation of this work without the express written permission of TURNSTILES.US is unlawful and is an infringement of intellectual property belonging to TURNSTILES.US. All drawings and/or designs are restricted for use exclusively with a purchase, installation, and/or support from Turnstiles.us. Any other use of these materials is a violation of copyright law. Request for additional information should be addressed to the Legal Department, Turnstiles.us.	

**TURNSTILES.US**  
 www.TURNSTILES.us  
 Call 303 670 1099 \* Text 303 918 9787  
 patrick.mcallister@turnstiles.us

EQUIPMENT DETAILS	
J Kokolakis Contracting Inc. Ft. Gordon - Cyber Instructional Facility Optical Drop-arm Barrier Turnstiles Motorized Swing Gates	
DWG	J Kokolakis Ft. Gordon, GA ELD
DATE	02-28-23
SHEET - 7 OF 7	