



TURNSTILES.us

SECURING THE U.S. and the GLOBE since 1989



CRONUS

INSTALLATION GUIDE

VERSION: 1.0

NOTE

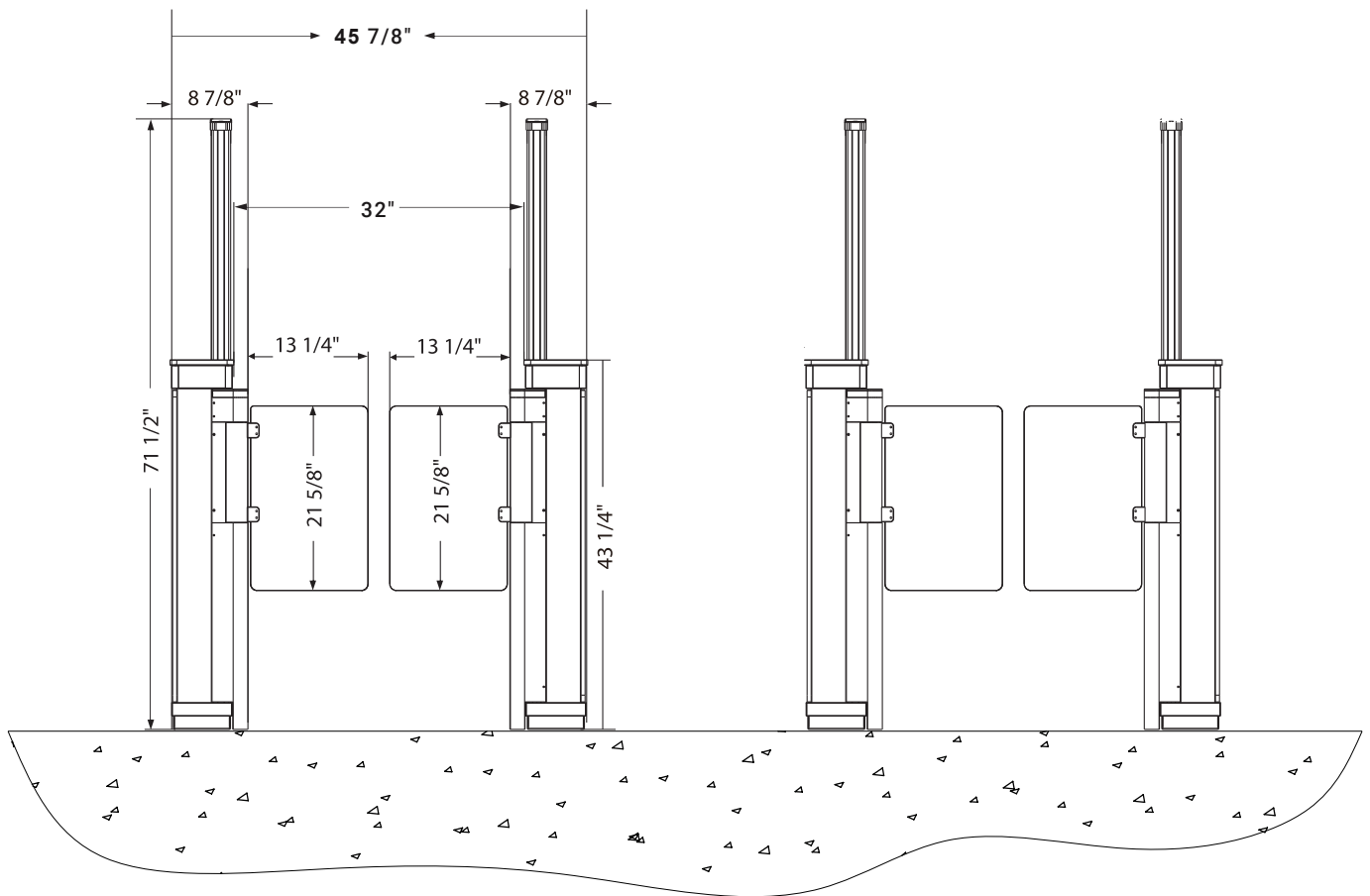
PLEASE READ THE FOLLOWING INSTRUCTIONS CAREFULLY BEFORE OPERATION:

- Cronus is designed for INDOOR USE, ONLY.
- To avoid signaling false alarms due to vibration, be sure to install Cronus on a flat, level, stable surface. Also make certain Cronus is installed at minimum 2 feet (61 cm) away from nearby equipment (or reinforced doors/walls) made from aluminum alloy, steel, and other metals which might create magnetic interference.
- Cronus optimal operating range is 32°F to 113°F (0°C to 45°C) and humidity less than 93% (non-condensing).
- When Cronus starts, please wait 1 minute to allow the unit to complete self-testing. Also make certain all the wire connections are correct (Reference Cronus User Manual).

1. INSTALLATION ENVIRONMENT

PLEASE READ THE FOLLOWING PRECAUTIONS CAREFULLY BEFORE INSTALLATION.

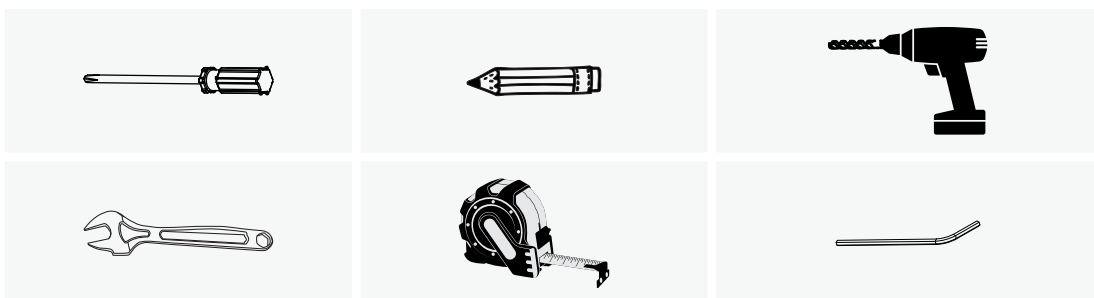
- To avoid signaling false alarms due to vibration, be sure to install on a flat, level, stable surface.
- Install at minimum 20in (50cm) from the nearest wall(s).
- Optimal operating range is 32°F to 113°F (0°C to 45°C) and humidity less than 93% (non-condensing).
- Avoid installing within 6^{1/2} feet (2 meters) of any devices which potentially emit electromagnetic radiation which can interfere with the metal detector. Potential devices which may cause interference include but are not limited to Electrical Control Boxes, Radio Equipment, Intercoms, Electronic Computers and Peripheral Equipment, Video Monitors, High Power Motors, Power Transformers, AC Power Lines, etc.
- To avoid personal injuries or other accidents, please ensure protective ground wire is securely connected.
- Check for proper connection of the protective ground wire, the connector assemblies and wiring points of the circuits. Tighten any loose nuts, screws, or other fasteners, and ensure each movable part of the device is tightly secured.
- When installing multiple Cronus devices, make certain the distance between any two Cronus devices is no less than 20in (50cm) apart.



2. NEEDED TOOLS (not included in packaging)

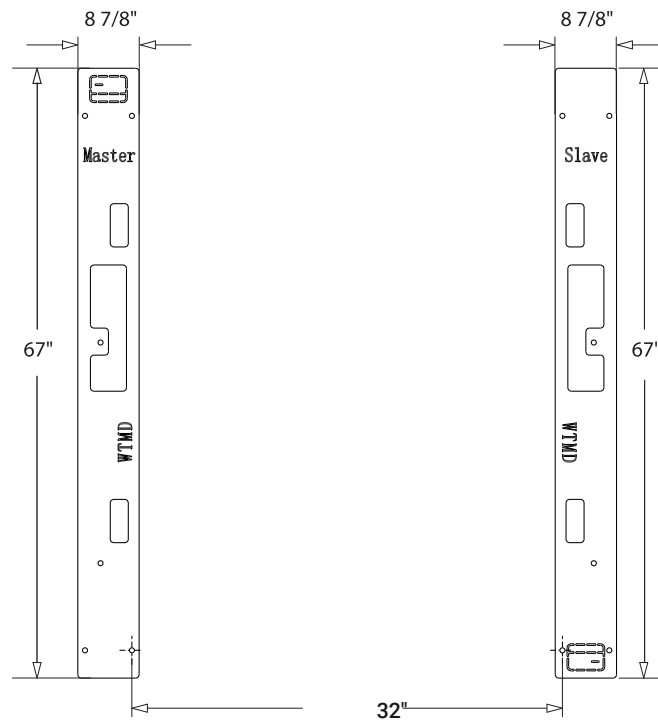
TO INSTALL CRONUS YOU MUST HAVE:

- **Screwdriver**
- **Pencil:** To mark screw holes
- **Electric Drill:** To drill holes in accordance to the marked screw holes.
- **Wrench:** To secure the M12 expansion screw on the device.
- **Measuring tape**
- **Torx Screwdriver**



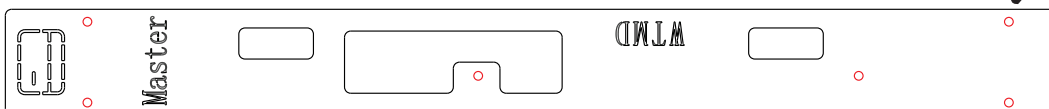
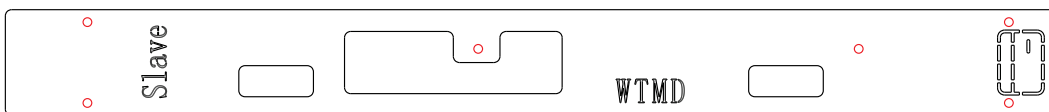
3. INSTALLATION

1. Place the anchor plate on the installation location.



Note: To ensure the infrared sensors properly detect pedestrians passing through, its Master & Slave pedestals must be positioned correctly. The two pedestals must be parallel and their edges aligned (i.e. a perfect rectangle with 90 degree corners).

2. Using a pencil, mark on the floor the position of each pedestal's 6 (six) holes.

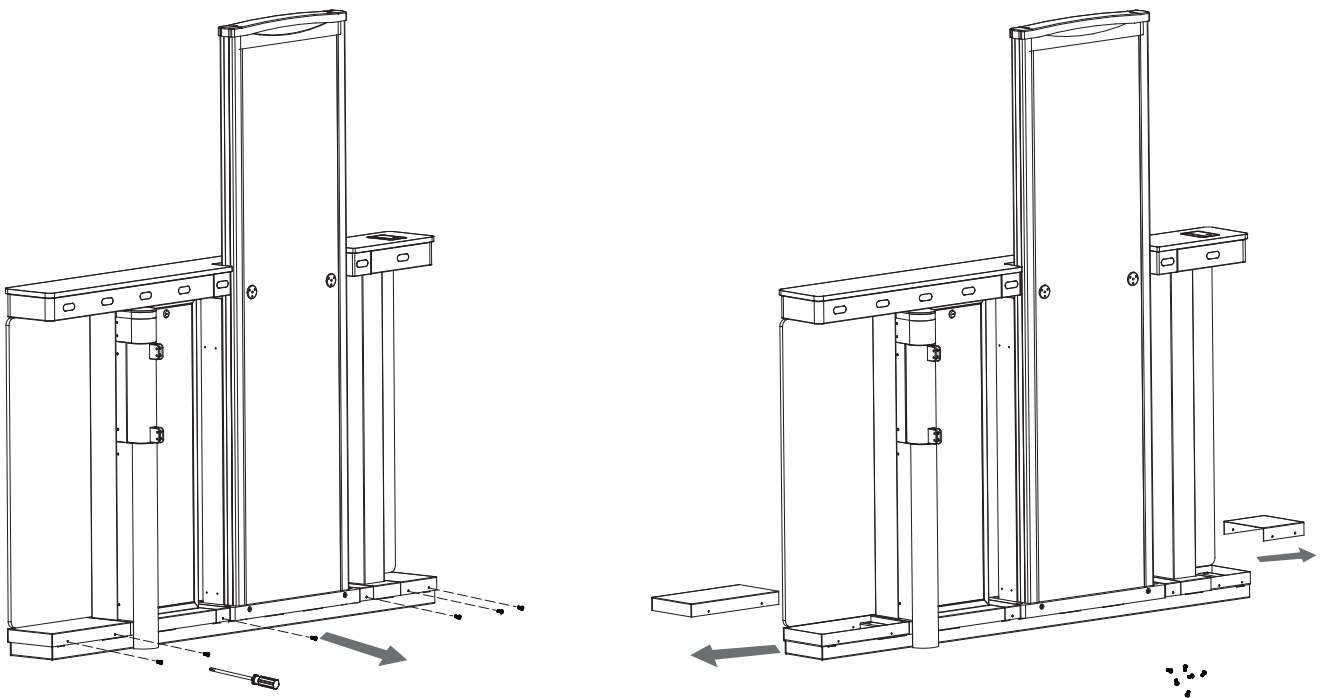


3. Remove the anchor plate and use an electric drill to drill holes according to the marks you drew.

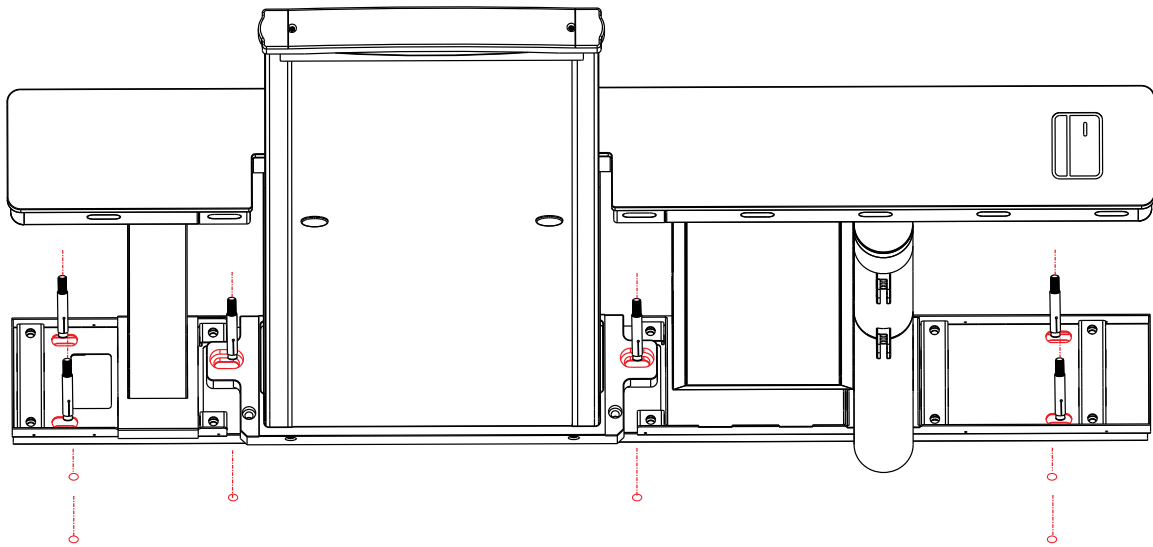


4. Clean up the fragments and dust after drilling. Then place the anchor plate on the installation site again. Prior to proceeding further with the installation, make certain the drilled holes correspond precisely with the marks on the plate.

5. Remove the screws, then remove the bottom lid.

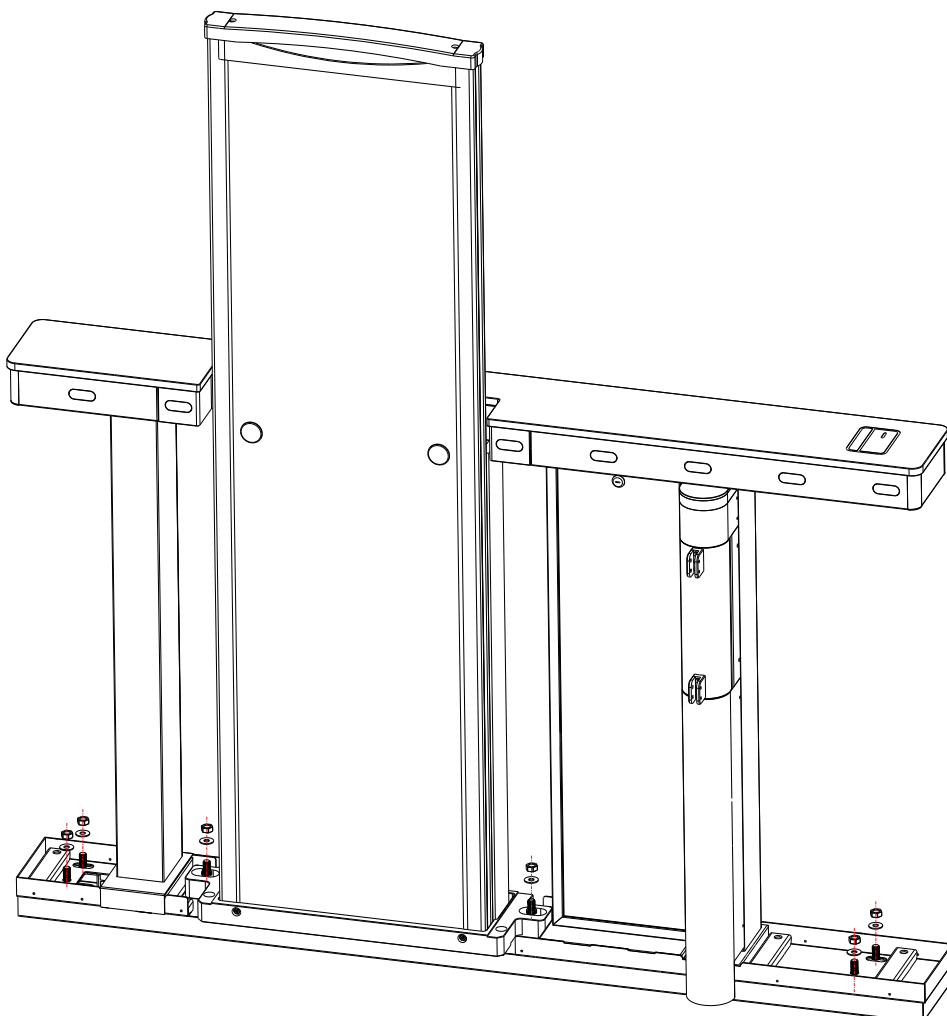


6. Lift up the Cronus and align it with the drilled holes.

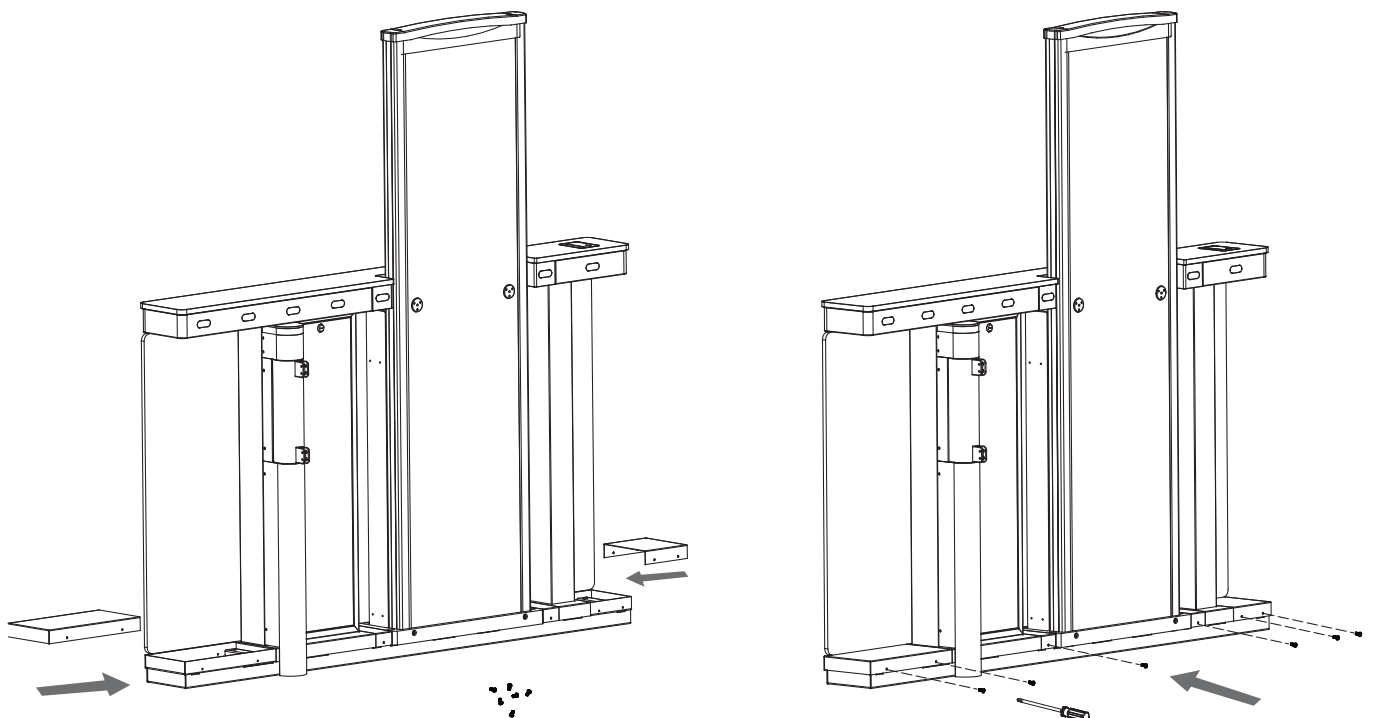
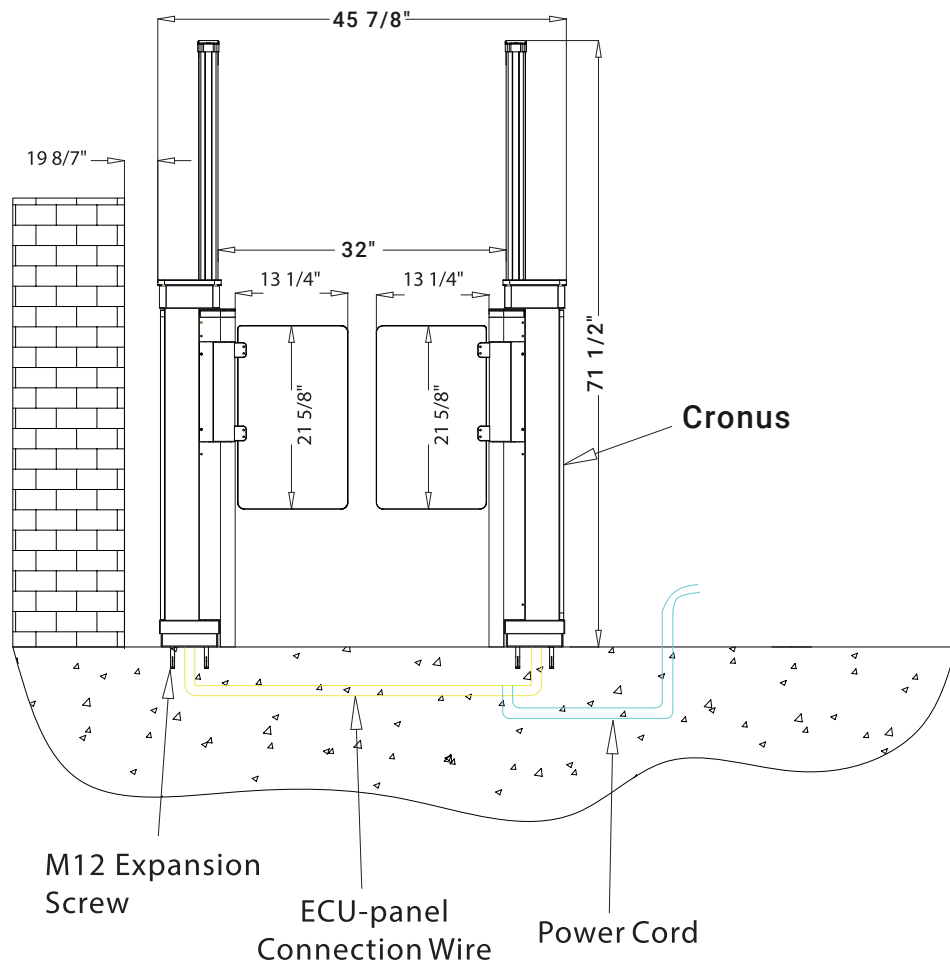


Note: Before inserting the bolt, pull the ECU-panel connection wire and power cord from the Master and Slave pedestals and pull them through the wire slot.

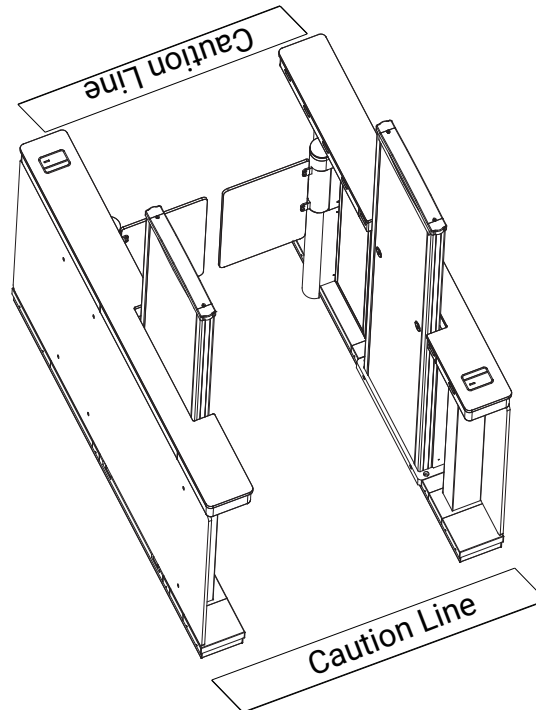
7. Insert the gasket & nut, then tighten with a Wrench.



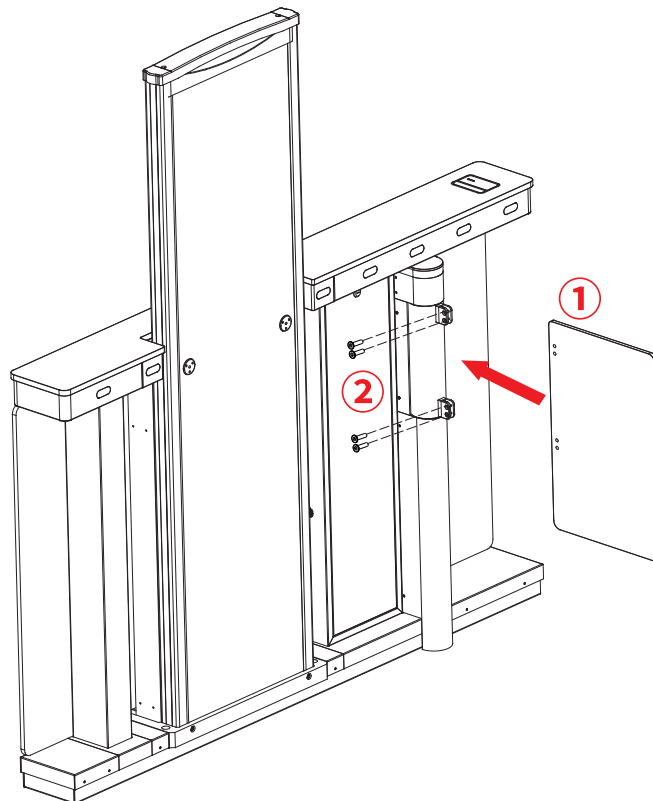
8. Connect the online cables and perform the power-on test, then install the bottom lid of Cronus.



9. We recommend marking a caution line on the ground after installing Cronus. This will remind pedestrians to wait behind the line until the previous pedestrian has completed verification and exited the turnstile lane.



10. If customer's installers need to assemble the swing-barrier themselves, please refer to the following diagram.



Note: The swing-barrier is already installed in the factory.