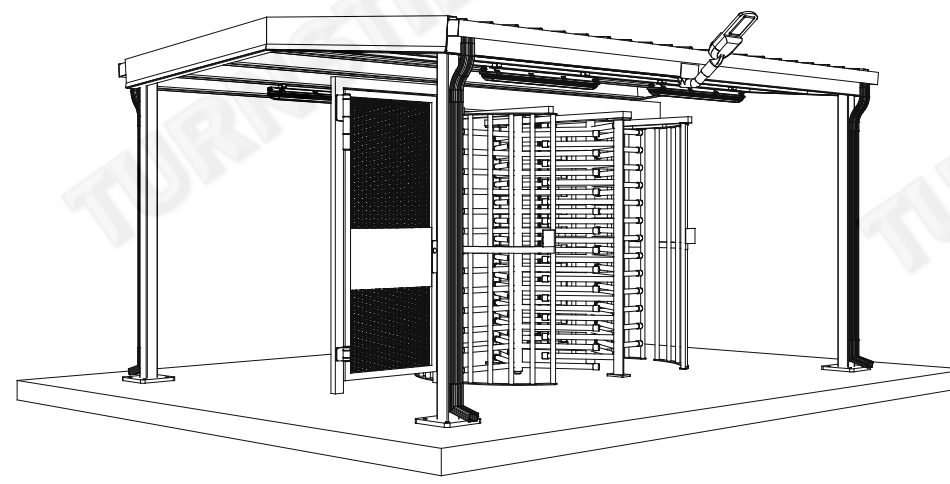
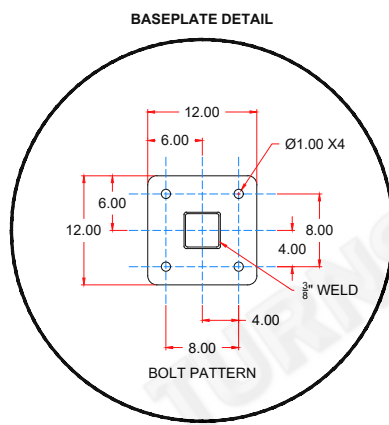
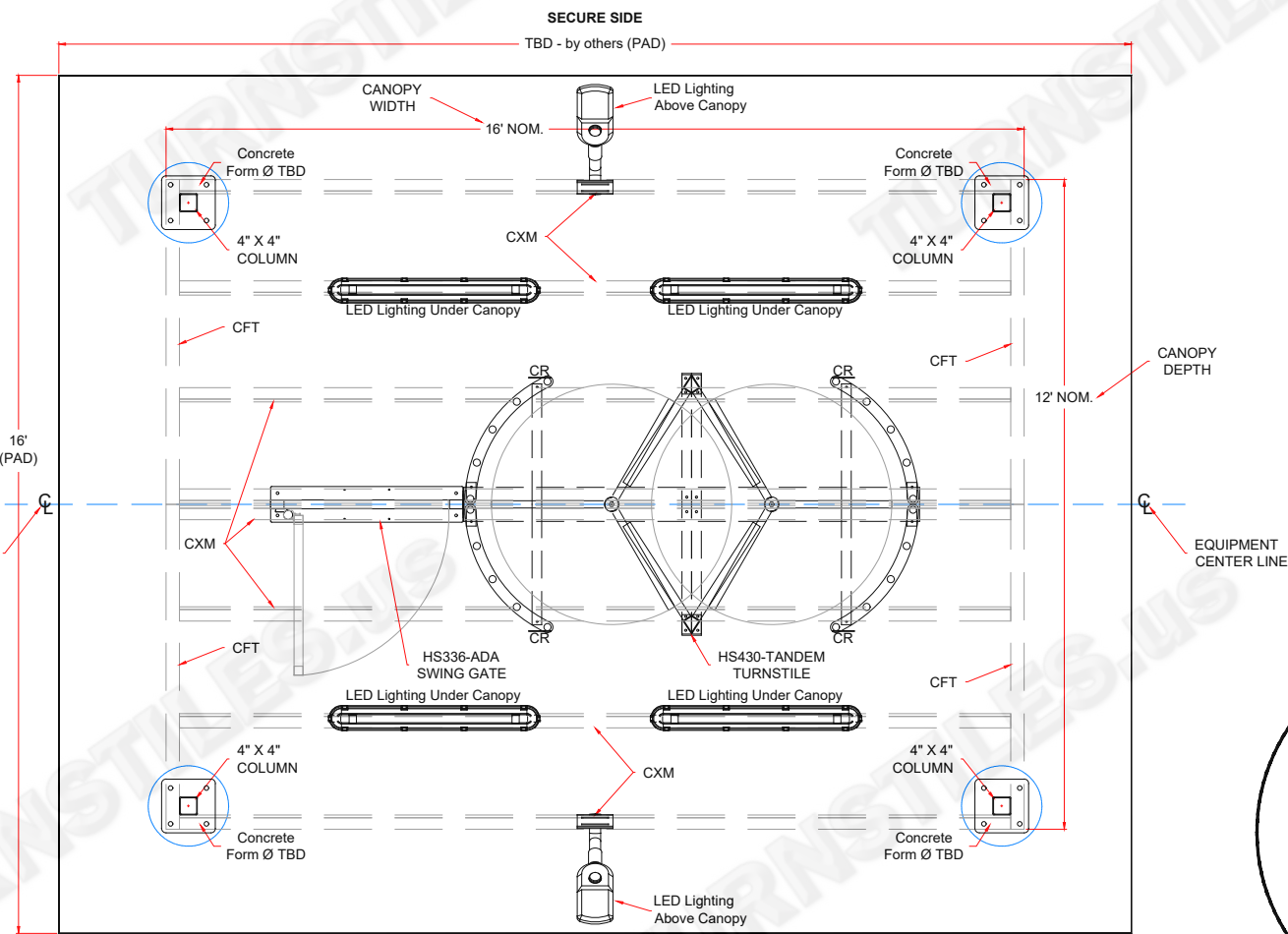
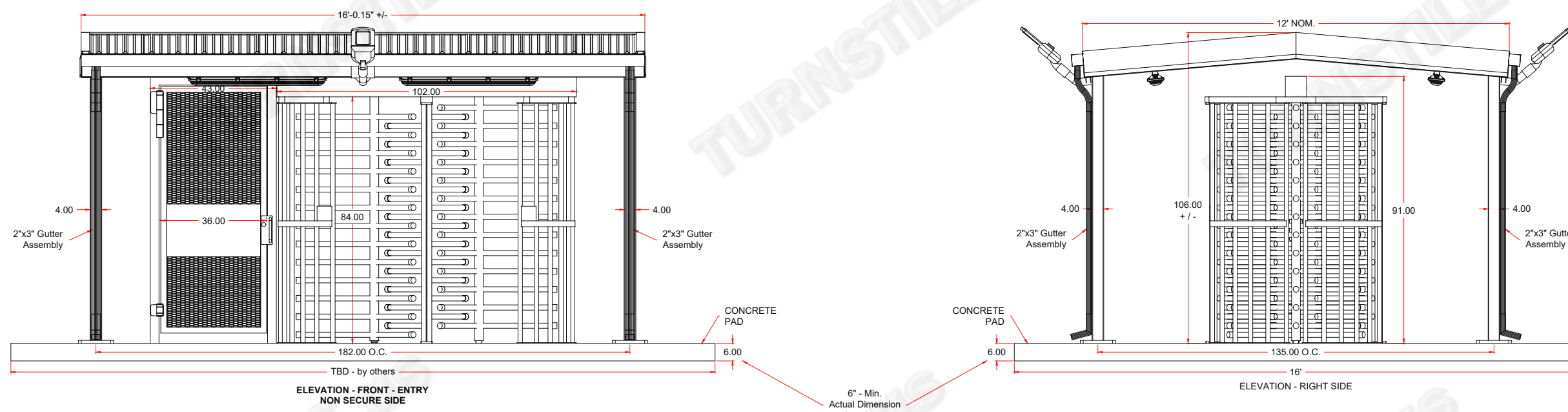


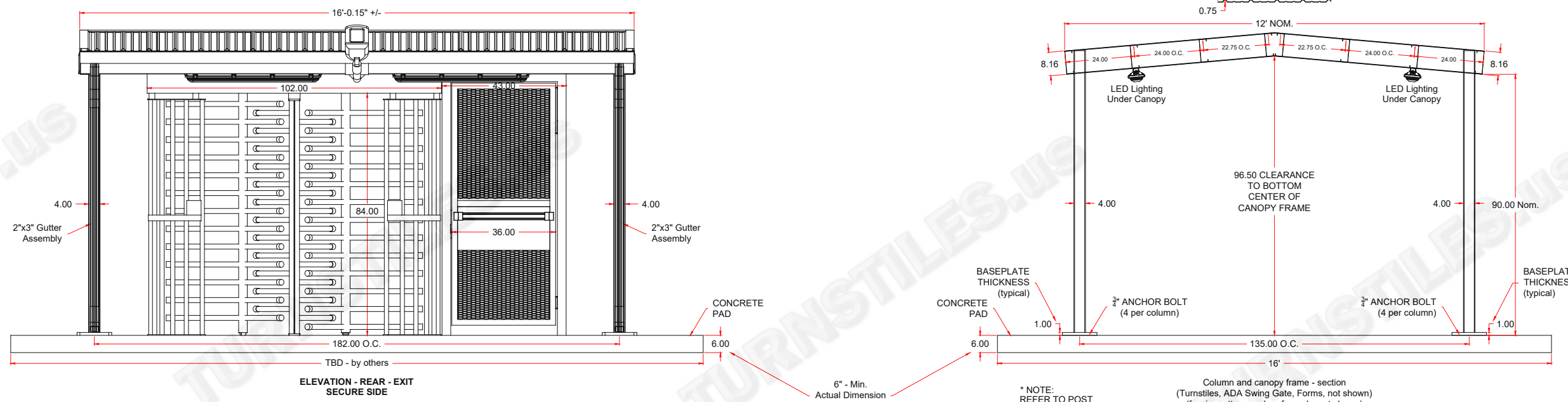
* DIMENSIONS MAY VARY SLIGHTLY IN ACTUAL INSTALLATION - FABRICATION CHANGES OR SUBSTITUTIONS RESERVED *

NORTH



NOTES:
Actual gutter routing or arrangement is subject to field conditions to avoid build-up and/or puddles in walkways. Lighting locations are shown as example and may be subject to relocation. Lighting mounting is conceptual and other means of mounting may be used.

CR = CARD READER LOCATION
ADA Gate Reader location not shown - TBD (recommended locations may be subject to change)
▲ LED LIGHTING LOCATIONS PROPOSED
CANOPY FRAME NOTES
CFT = CANOPY FRAME TRUSS
CXM = CANOPY CROSS MEMBER



* NOTE: REFER TO POST MOUNT DETAIL FOR QTY, J-BOLTS, SIZE, FORM DIAMETER & CORRECT DEPTH REQUIREMENTS

FIRST DRAWN	BY
08-24-23	CJC
REVISED	BY
09-06-23	CJC

COPYRIGHT © TURNSTILES.US
Copyright © Turnstiles.us All rights reserved. Reproduction or translation of this work without the express written permission of TURNSTILES.us is unlawful and is an infringement of intellectual property belonging to TURNSTILES.us. All drawings and/or designs are restricted for use exclusively with a purchase, installation, and/or support from Turnstiles.us. Any other use of these materials is a violation of copyright law. Request for additional information should be addressed to the Legal Department, Turnstiles.us.

TURNSTILES.US

www.TURNSTILES.us
Call 303 670 1099 * Text 303 918 9787
patrick.mcallister@turnstiles.us

CANOPY & EQUIPMENT DETAIL	
CITGO - Lemont, IL HS430-T Tandem Turnstile, HS336-ADA Swing Gate, 12' x 16' Canopy (peaked)	
DWG	CITGO TURNSTILE - ADA GATE - CANOPY NORTH GATE DET
DATE	09-06-23
SHEET - 1 OF 2	

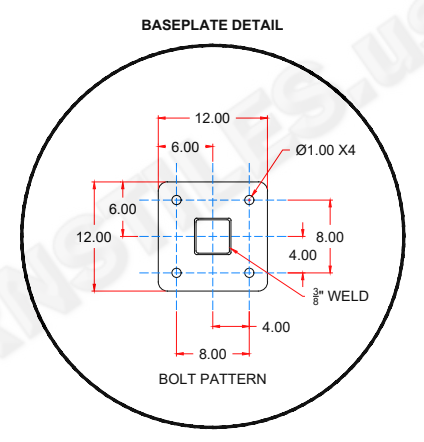
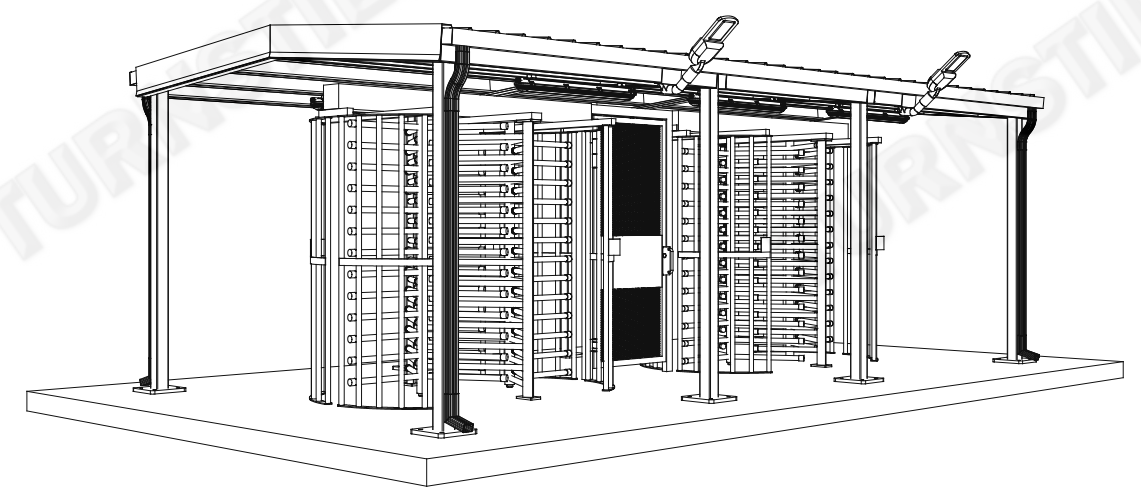
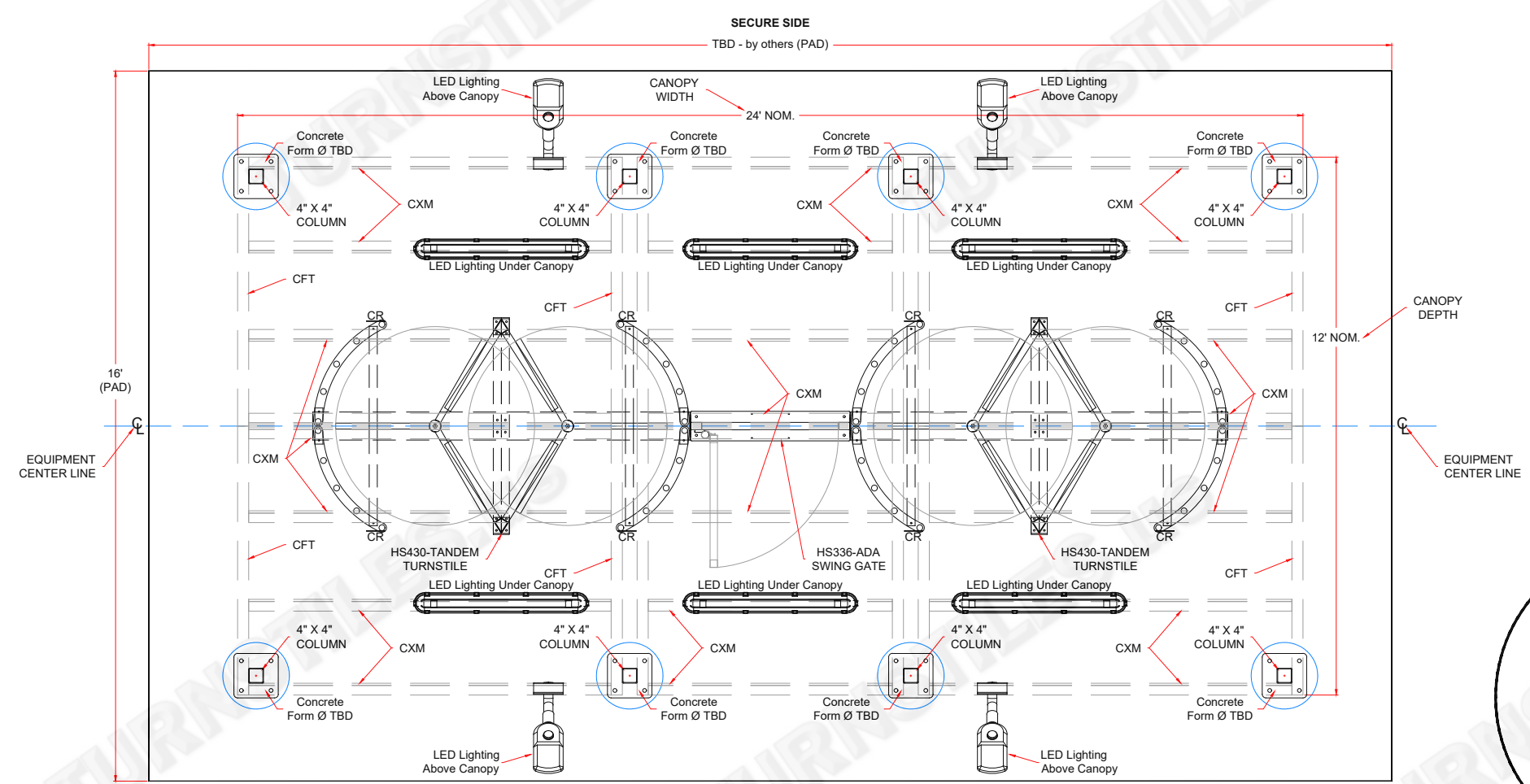
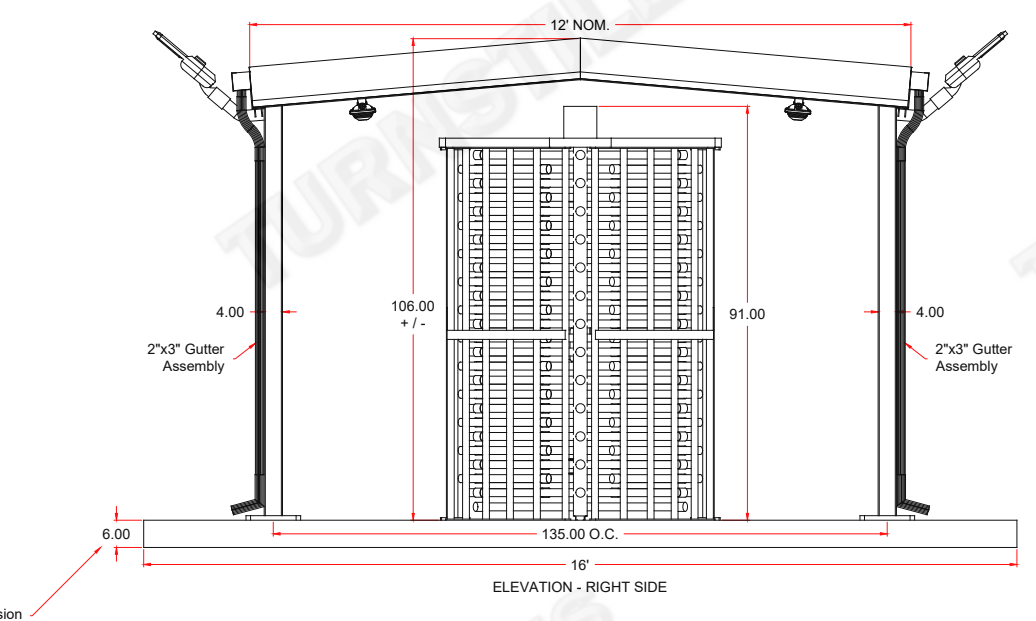
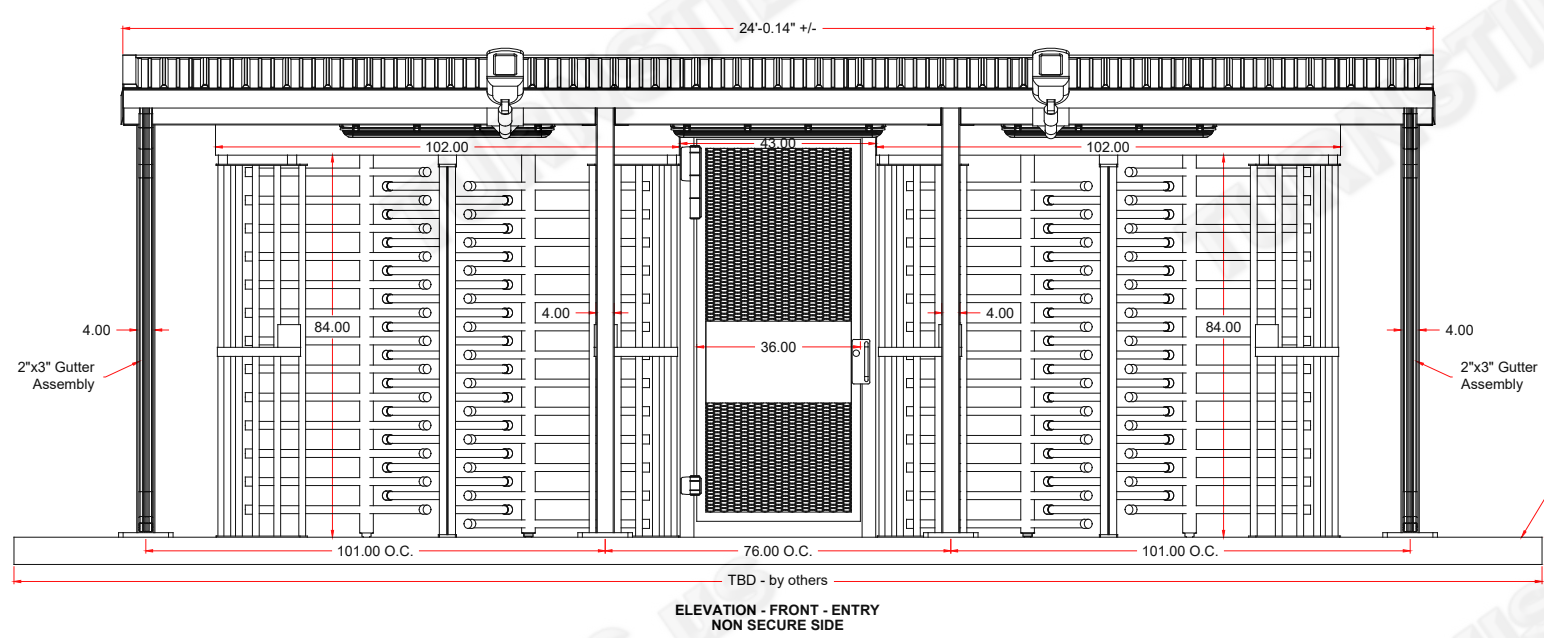
AUTHORIZED SIGNATURE: _____ DATE: ___ / ___ / ___

SOUTH & WEST

* DIMENSIONS MAY VARY SLIGHTLY IN ACTUAL INSTALLATION - FABRICATION CHANGES OR SUBSTITUTIONS RESERVED *

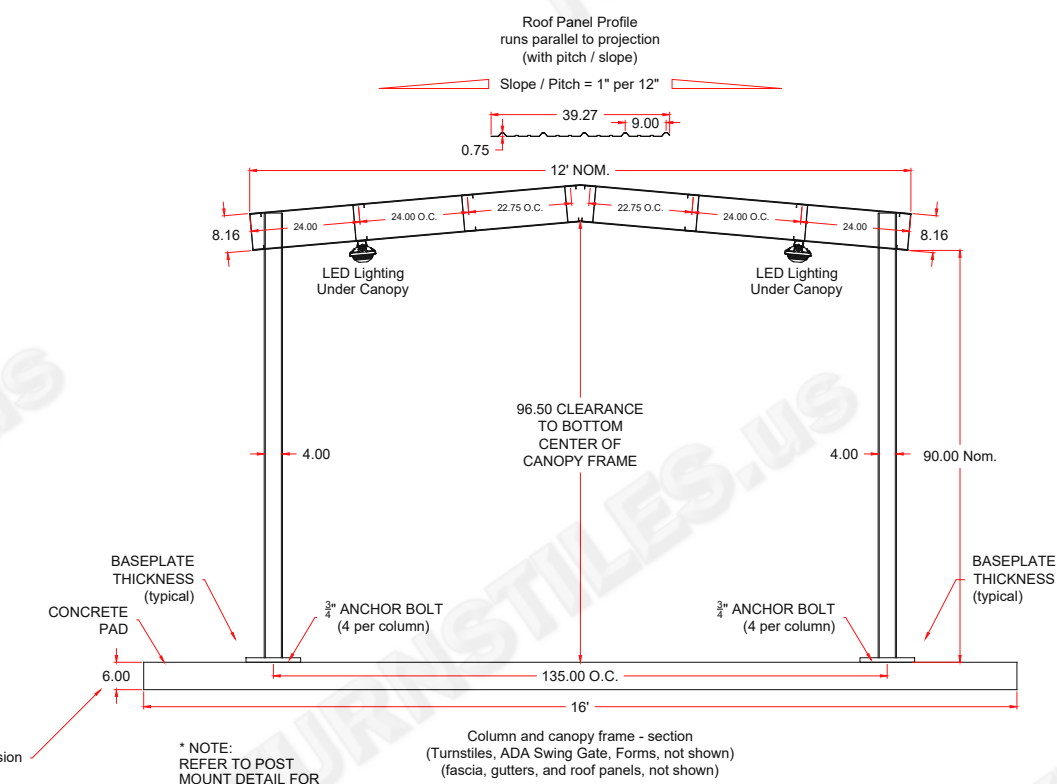
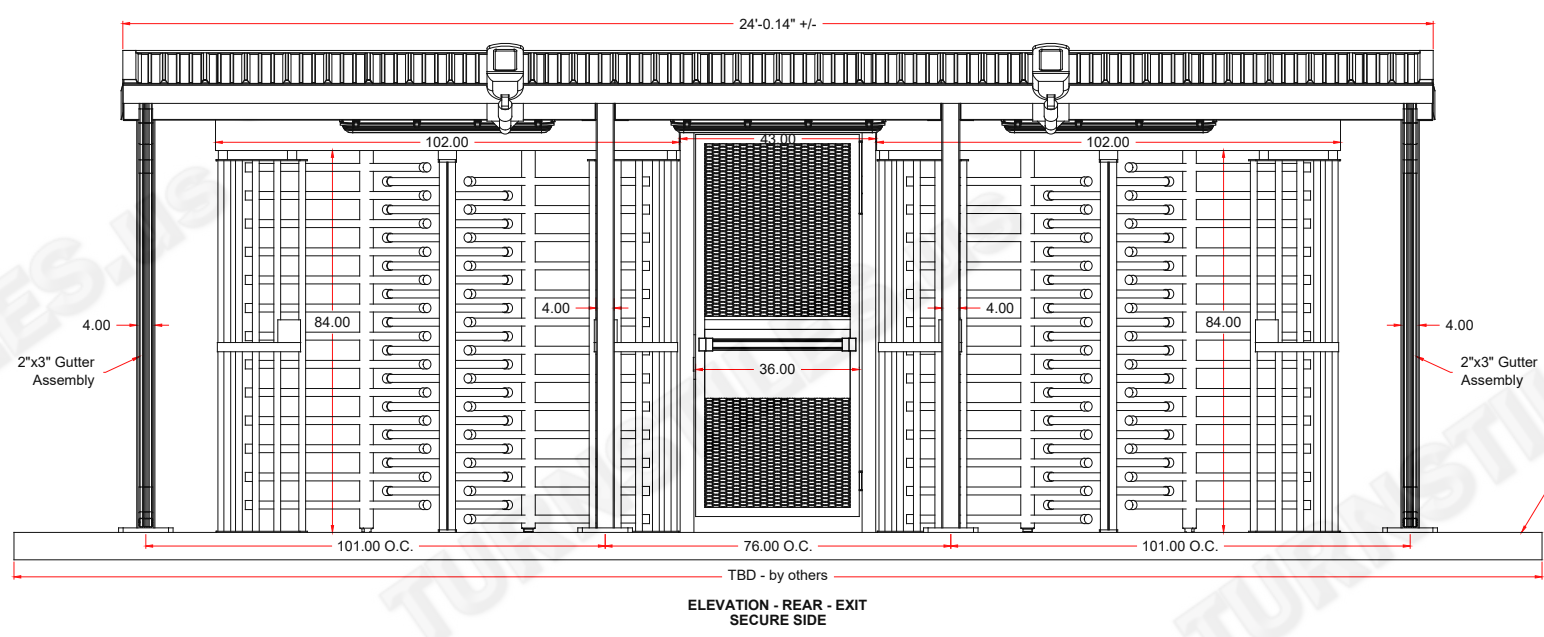
FIRST DRAWN	BY
08-24-23	CJC
REVISED	BY
09-06-23	CJC

COPYRIGHT © TURNSTILES.US
 Copyright © Turnstiles.us All rights reserved. Reproduction or translation of this work without the express written permission of TURNSTILES.us is unlawful and is an infringement of intellectual property belonging to TURNSTILES.us.
 All drawings and/or designs are restricted for use exclusively with a purchase, installation, and/or support from Turnstiles.us. Any other use of these materials is a violation of copyright law. Request for additional information should be addressed to the Legal Department, Turnstiles.us.



NOTES:
 Actual gutter routing or arrangement is subject to field conditions to avoid build-up and/or puddles in walkways. Lighting locations are shown as example and may be subject to relocation. Lighting mounting is conceptual and other means of mounting may be used.

CR = CARD READER LOCATION
 ADA Gate Reader location not shown - TBD (recommended locations may be subject to change)
 ▲ LED LIGHTING LOCATIONS PROPOSED
 CANOPY FRAME NOTES:
 CFT = CANOPY FRAME TRUSS
 CXM = CANOPY CROSS MEMBER



* NOTE: REFER TO POST MOUNT DETAIL FOR QTY, J-BOLTS, SIZE, FORM DIAMETER, & CORRECT DEPTH REQUIREMENTS

TURNSTILES.US
 www.TURNSTILES.us
 Call 303 670 1099 * Text 303 918 9787
 patrick.mcallister@turnstiles.us

CANOPY & EQUIPMENT DETAIL	
CITGO - Lemont, IL HS430-T Tandem Turnstiles, HS336-ADA Swing Gate, 12' x 24' Canopy (peaked)	
DWG	CITGO TURNSTILES - ADA GATE - CANOPY SOUTH & WEST GATE DET
DATE	09-06-23
SHEET - 2 OF 2	

AUTHORIZED SIGNATURE: _____ DATE: ___ / ___ / ___