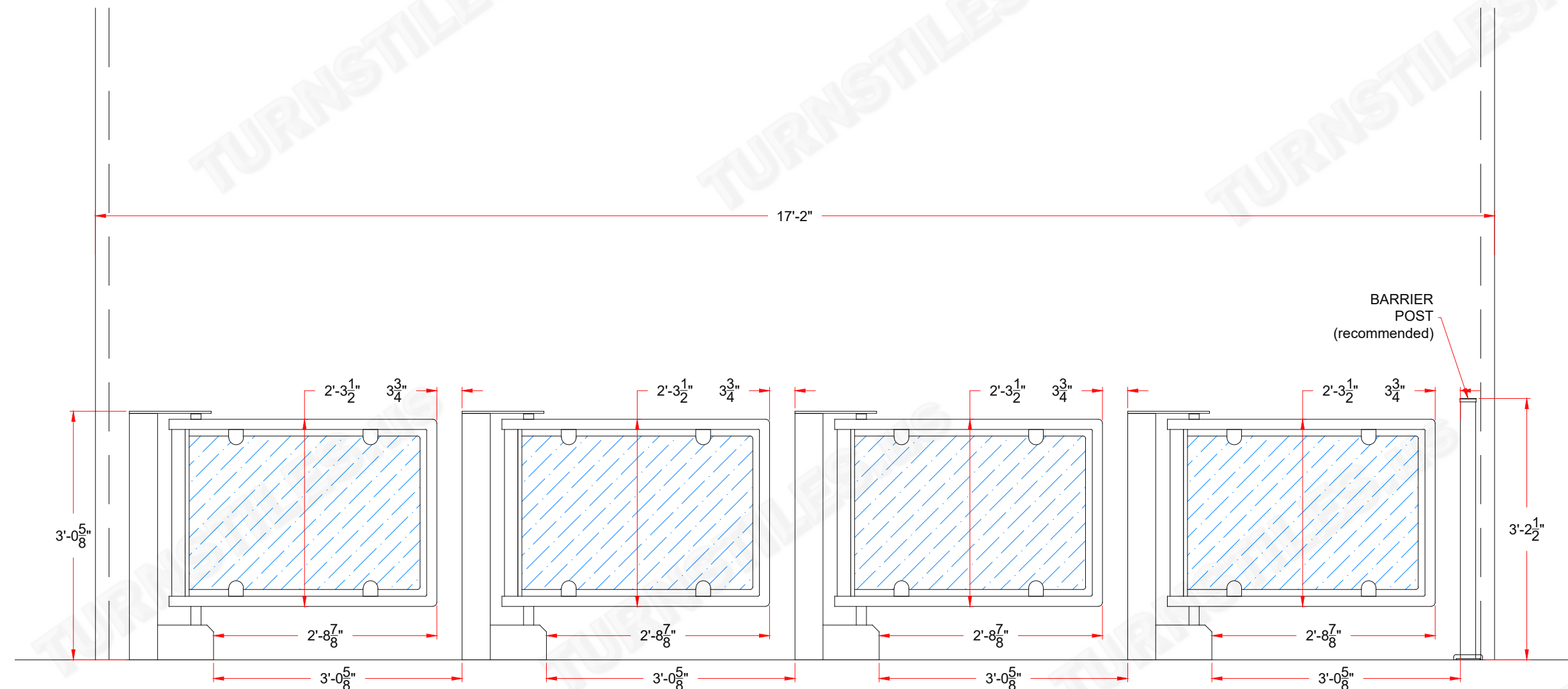


* DIMENSIONS MAY VARY IN ACTUAL INSTALLATION - FABRICATION CHANGES RESERVED - FIELD ALTERATIONS MADE AS REQUIRED *

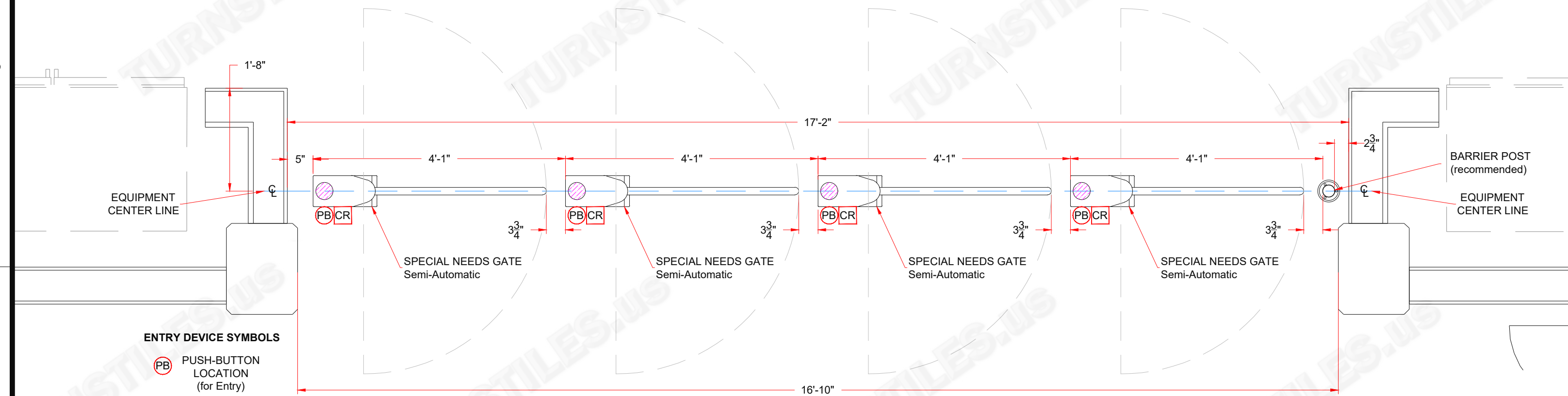
| | |
|-------------|-----|
| FIRST DRAWN | BY |
| 05-13-21 | CJC |
| REVISED | BY |
| 05-17-21 | CJC |
| 03-08-22 | CJC |
| 06-24-22 | CJC |

COPYRIGHT © TURNSTILES.US
 Copyright © Turnstiles.us All rights reserved. Reproduction or translation of this work without the express written permission of TURNSTILES.US is unlawful and is an infringement of intellectual property belonging to TURNSTILES.US.
 All drawings and/or designs are restricted for use exclusively with a purchase, installation, and/or support from Turnstiles.us. Any other use of these materials is a violation of copyright law. Request for additional information should be addressed to the Legal Department, Turnstiles.us.



ELEVATION

SERVERY
 117
 SECURE SIDE



NON SECURE SIDE

ENTRY DEVICE SYMBOLS
 PB PUSH-BUTTON LOCATION (for Entry)
 CR CARD READER LOCATION (FUTURE) (by others)

* Field verification required related to site preparations and inspection of equipment as received.

AUTHORIZED SIGNATURE: _____ DATE: ___ / ___ / ___

TURNSTILES.US
 www.TURNSTILES.us
 Call 303 670 1099 * Text 303 918 9787
 patrick.mcallister@turnstiles.us

| | |
|---|----------|
| Equipment Location Detail | |
| CP DISTRIBUTORS EDK Canada UVIC Student Housing & Dining Special Needs Gates | |
| DWG | 06-24-22 |
| UVIC Student Housing & Dining ELD - REV C | |
| DATE | 06-24-22 |
| SHEET - 1 OF 1 | |