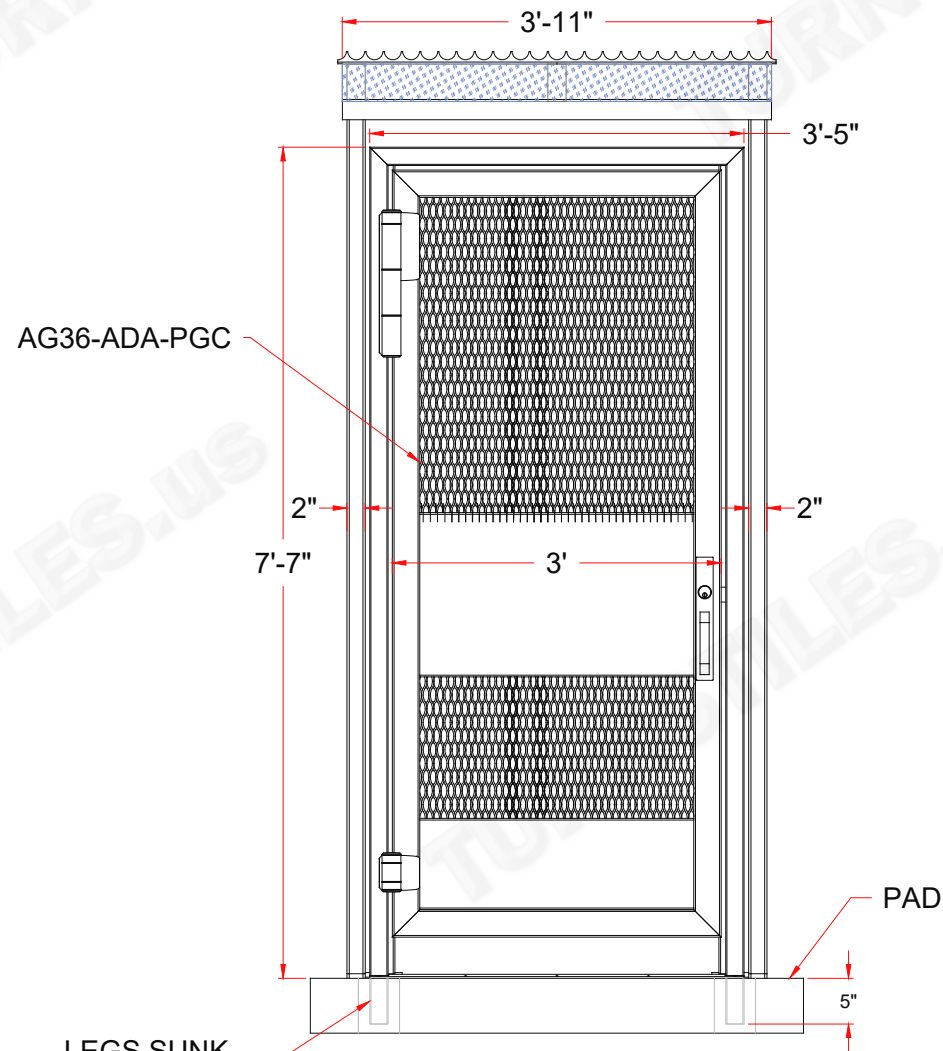
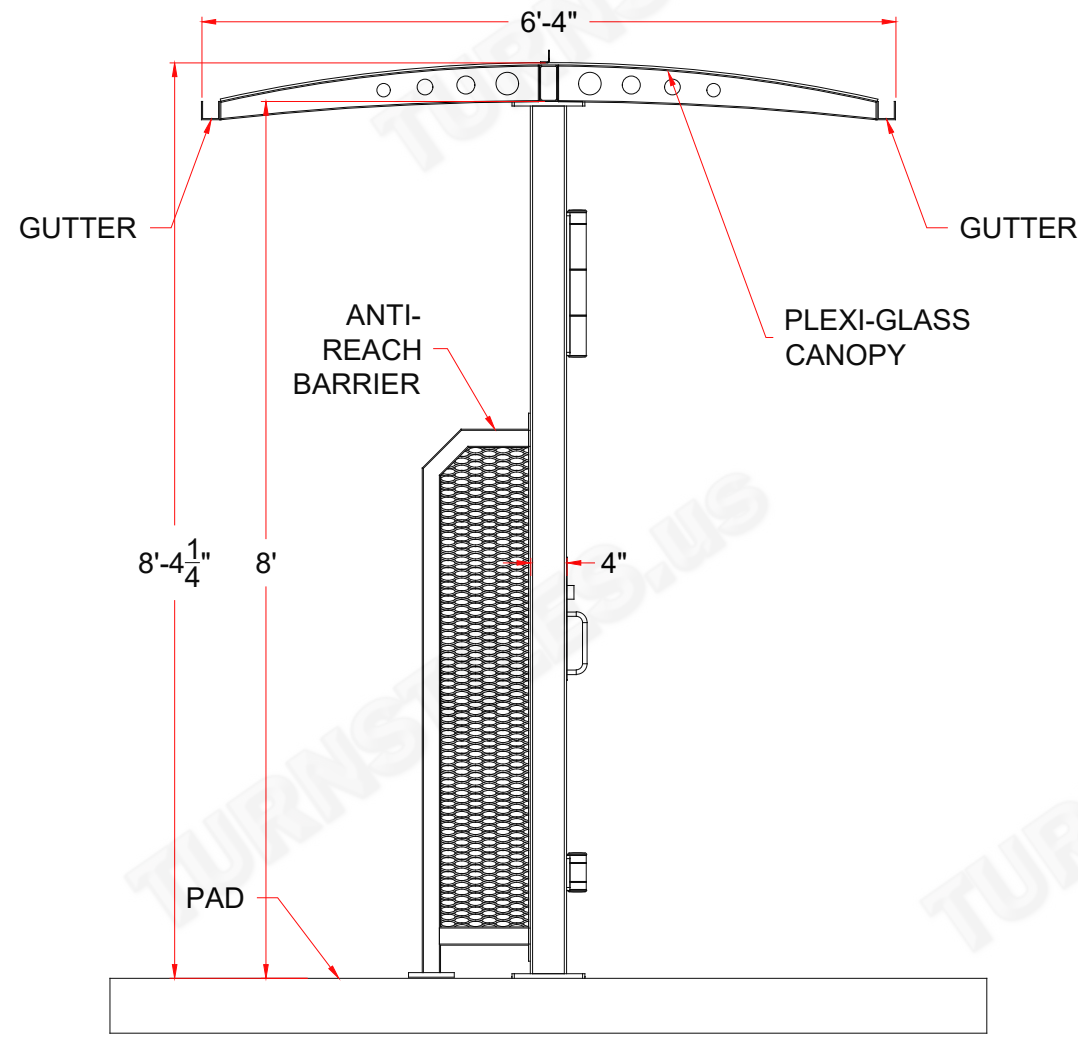


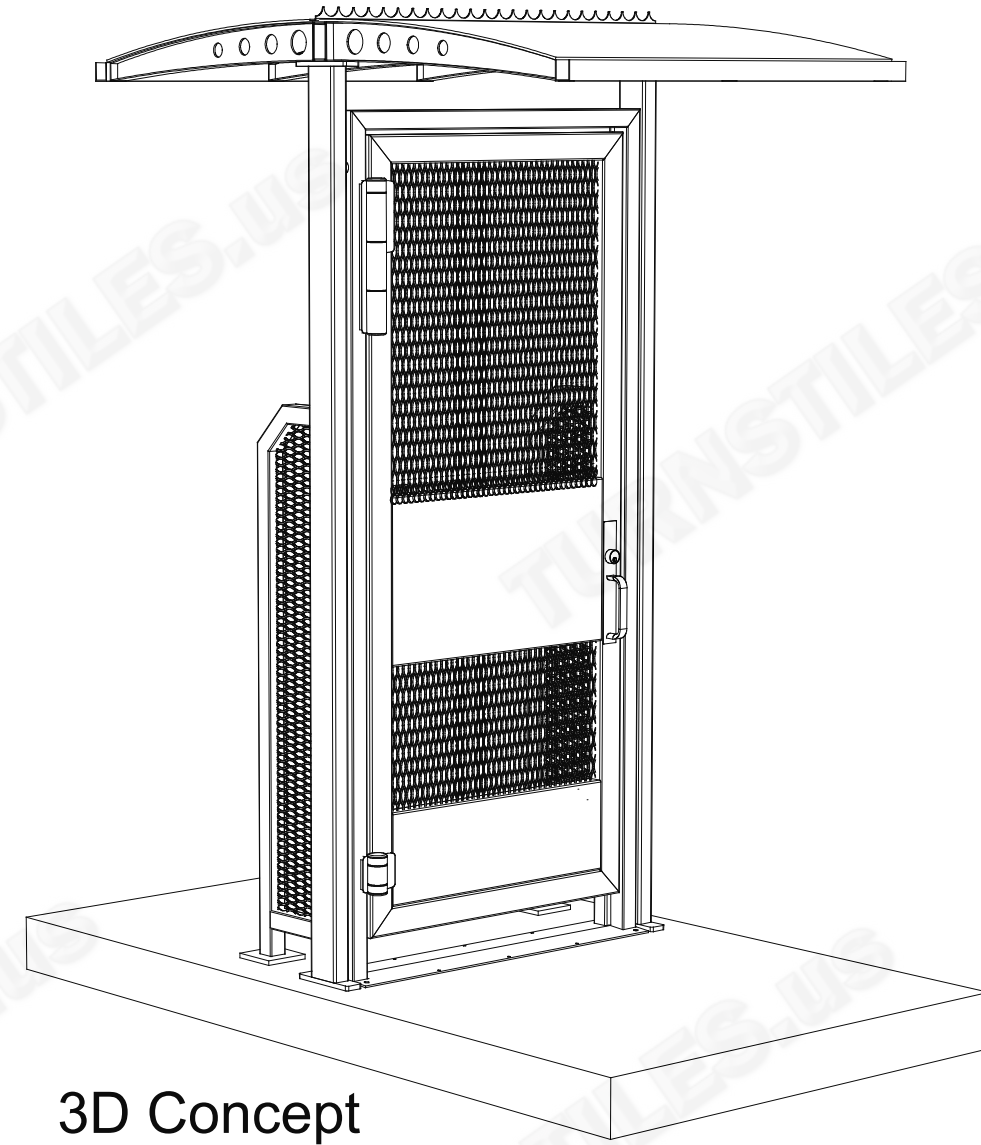
* DIMENSIONS MAY VARY SLIGHTLY IN ACTUAL INSTALLATION - FABRICATION CHANGES OR SUBSTITUTIONS RESERVED *



ELEVATION
(Front - non secure side)

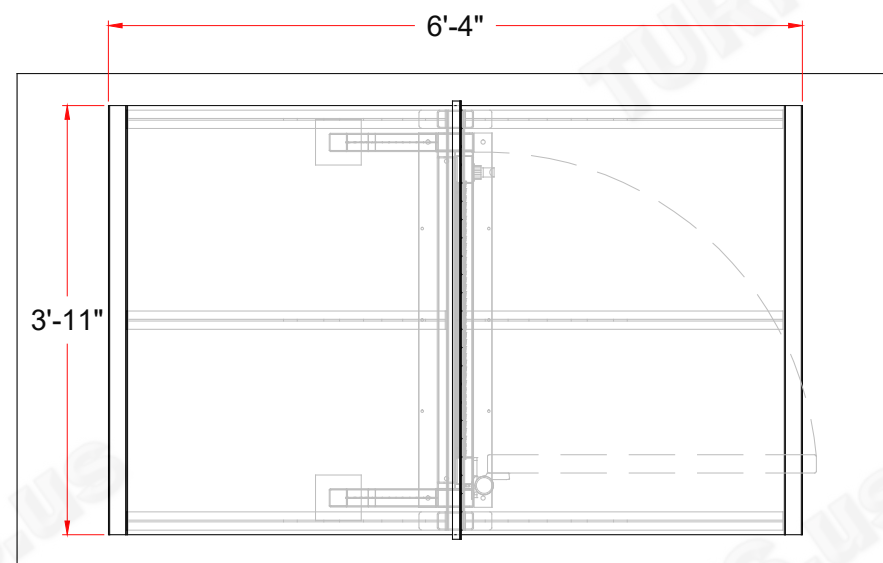


ELEVATION
(Side)



3D Concept

***NOTE:**
AG36-ADA Swing Gate
w/ Plexi-glass Canopy,
nominal pad dimensions
96" Deep x 54" Wide as
shown and may vary.



SWING GATE
(Footprint)

FIRST DRAWN	BY
08-02-22	CJC
REVISED	BY

COPYRIGHT © TURNSTILES.US
Copyright © Turnstiles.us All rights reserved. Reproduction or translation of this work without the express written permission of TURNSTILES.us is unlawful and is an infringement of intellectual property belonging to TURNSTILES.us.
All drawings and/or designs are restricted for use exclusively with a purchase, installation, and/or support from Turnstiles.us. Any other use of these materials is a violation of copyright law. Request for additional information should be addressed to the Legal Department, Turnstiles.us.

TURNSTILES.US
www.TURNSTILES.us
Call 303 670 1099 * Text 303 918 9787
patrick.mcallister@turnstiles.us

EQUIPMENT DETAIL	
Northrop Grumman - Northern Utah Kerry Coleman AG36-ADA-SWING GATE with PLEXI-GLASS CANOPY	
DWG	Northrop Grumman Northern Utah - Kerry Coleman AG36-ADA-PGC DET
DATE	08-02-22
SHEET - 1 OF 1	

AUTHORIZED SIGNATURE: _____ DATE: ___ / ___ / ___