

## Low Energy Automatic Door Operator for Single Doors

**AO19-1**

The AO19 Automatic Operator for single doors is an easy to install, heavy duty product for high use and high abuse low energy applications. The AO19 Series meets requirements for ANSI/BHMA A156.19 (American National Standard for Power Assist and Low Energy Power Operated Doors) and provides standard features that meet the requirements of the American Disabilities Act.



← AO19-1 RH Push

Shown with 21 Series  
 Electric Latch  
 Retraction (ER)

### Benefits

- Economical operator provides safe and easy access in medium to high-traffic and security areas
- Provides ADA compliant access to handicap applications
- Quiet operation
- 115VAC power plug-in mounted in header
- Hanger plate allows quick installation
- Self-contained unit in an extruded case allows easy access for maintenance and adjustments
- Works with existing access control, locking and computer signal devices
- Easy manual use
- Reduced service calls due to heavy-duty construction
- 3-way low-voltage ON/OFF/HOLD switch for ease of service and setup
- Can be installed and adjustments can be made prior to electrician connecting building power

### Features

- Available in single, pair (twin) for independent, simultaneous and dual egress openings
- Power close applies a reverse power to aid in latch check position. Must be selected to activate.
- Single voltage source required to operate
- Adjustable delayed activation for sequenced vestibule doors
- Reverse on obstruction stalls a door during closing cycle and re-activates to open if an obstruction is sensed anytime before the latch position. Must be selected to activate.
- Adjustable closing speed
- Push & Go (Use for Handicap) activates when door is manually pushed to open. Must be selected to activate.
- Electric lock relay provides an adjustable delay before door opens to unlock an electric strike, maglock or other types of electric locks - prevents binding

### Mechanical Options

- LH Push - Left Hand Push
- RH Push - Right Hand Push
- LH Pull - Left Hand Pull
- RH Pull - Right Hand Pull
- 39.5" - Fits above most 36" doors
- 45.5" - Fits above most 42" doors
- 52" - Fits above most 48" doors

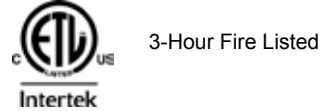
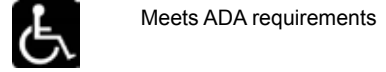
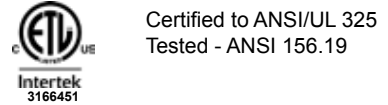
**Accessories**

- 104792 - Wireless Button Package (includes 2 push plates, 2 mounting boxes and 1 receiver)
  - NG-IR-A - Hardwired Touchless Activation Switch
  - DS-3681-630 - Electric Strike, cylindrical
  - NXG-SW - Wireless Touchless Activation Switch
  - PB-2048-3 - Mushroom switch, hard-wired
- Call for available activation options

**Technical Information**

- |  |   |  |
|--|---|--|
| <p><b>Power Requirements</b></p> <ul style="list-style-type: none"> <li>• 115VAC 60 HZ 3 amps</li> </ul> <p><b>Motor</b></p> <ul style="list-style-type: none"> <li>• 115VDC rectified</li> <li>• 1/8 hp</li> <li>• 60:1 gearbox</li> </ul> <ul style="list-style-type: none"> <li>• For use on doors 300 lbs or less</li> </ul> | <p><b>Module -</b></p> <ul style="list-style-type: none"> <li>• Activation input terminals</li> <li>• Form C lock switch terminals</li> <li>• Safety lock-out built in</li> <li>• 17 additional features standard on board</li> </ul> <p><b>Enclosure -</b></p> <ul style="list-style-type: none"> <li>• 7" h x 4 1/2" d</li> <li>• Approximately 50 lbs</li> <li>• Aluminum extrusion</li> </ul> | <ul style="list-style-type: none"> <li>• Push reveal depth up to 11" with standard arm. Extended arm available.</li> <li>• Pull reveal depth 2-1/2"</li> </ul> |
|--|---|--|

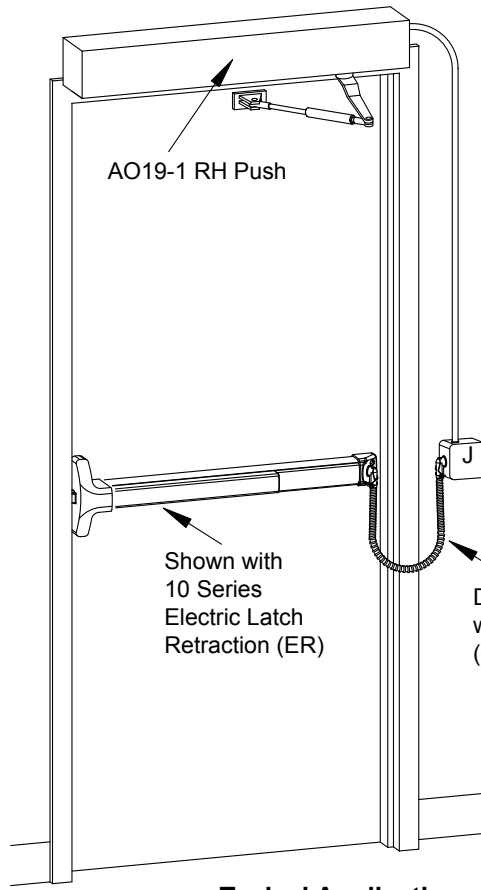
**Listings and Approvals**



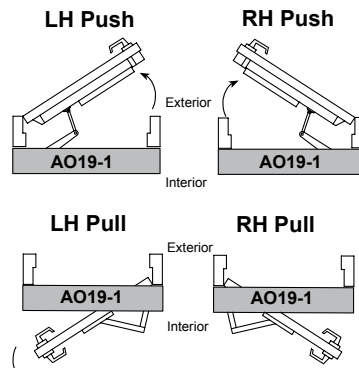
**Finishes**

- AL - 204-Ri Clear: Arch. Class II anodized coating, AA-M12C22A31
- BZ - 313-Ri Dark Bronze: Arch. Class II Anodized coating, AA-M12C22A32

**Riser Diagram**



**Handing Diagram**



J-box (sold separately)

Detex flexible conduit with connections (optional)

**Detex Limited Warranty**

3 Year Mechanical / 1 year Electrical Limited Manufacturer's Warranty