

Outdoor Electric Strike

EN SERIES



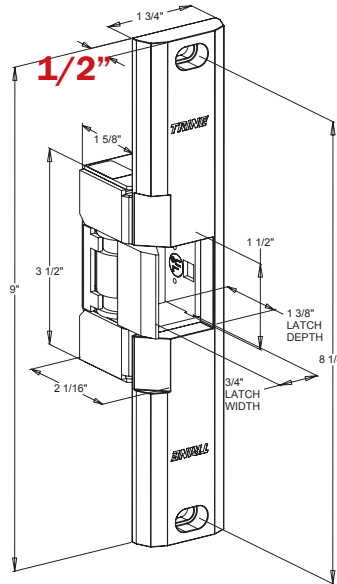
EN850

GREAT FOR OUTDOOR GATES

For new or replacement installations in wood or metal single door jambs. Use with surface mounted rim exit devices with up to 1" throw. **1/2" thick face plate.**

(Not UL 10C Listed)

Works with Rim Panic Exit Devices.



850-32D

(Satin Stainless Steel – BHMA630)

The following finishes are:

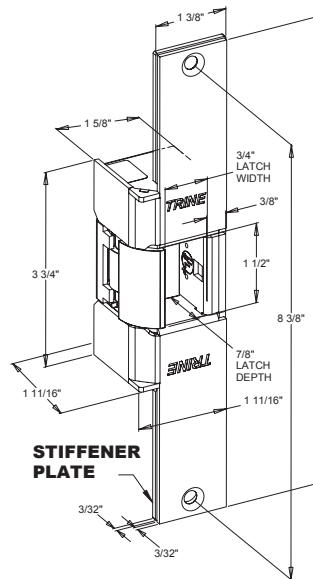
- **850-US3**
(Bright Brass – BHMA605)
- **850-US4**
(Satin Brass – BHMA606)
- **850-US10**
(Satin Bronze – BHMA612)
- **850-US10B**
(Dark Bronze – BHMA613)
- **850-32**
(Polished Stainless – BHMA629)



EN950 – FITS FOLGER ADAMS® 310-2 CUTOUT

For new or replacement installations in metal or wood jambs. Use with mortise exit devices, mortise locks without dead bolts and cylindrical locksets with up to 7/8" throw. Based on 1/8" door gap.

Latch Shim Kit provided for horizontal cavity adjustment.



950-32D

(Satin Stainless Steel – BHMA630)

The following finishes are:

- **950-US3**
(Bright Brass – BHMA605)
- **950-US4**
(Satin Brass – BHMA606)
- **950-US10**
(Satin Bronze – BHMA612)
- **950-US10B**
(Dark Bronze – BHMA613)
- **950-32**
(Polished Stainless – BHMA629)