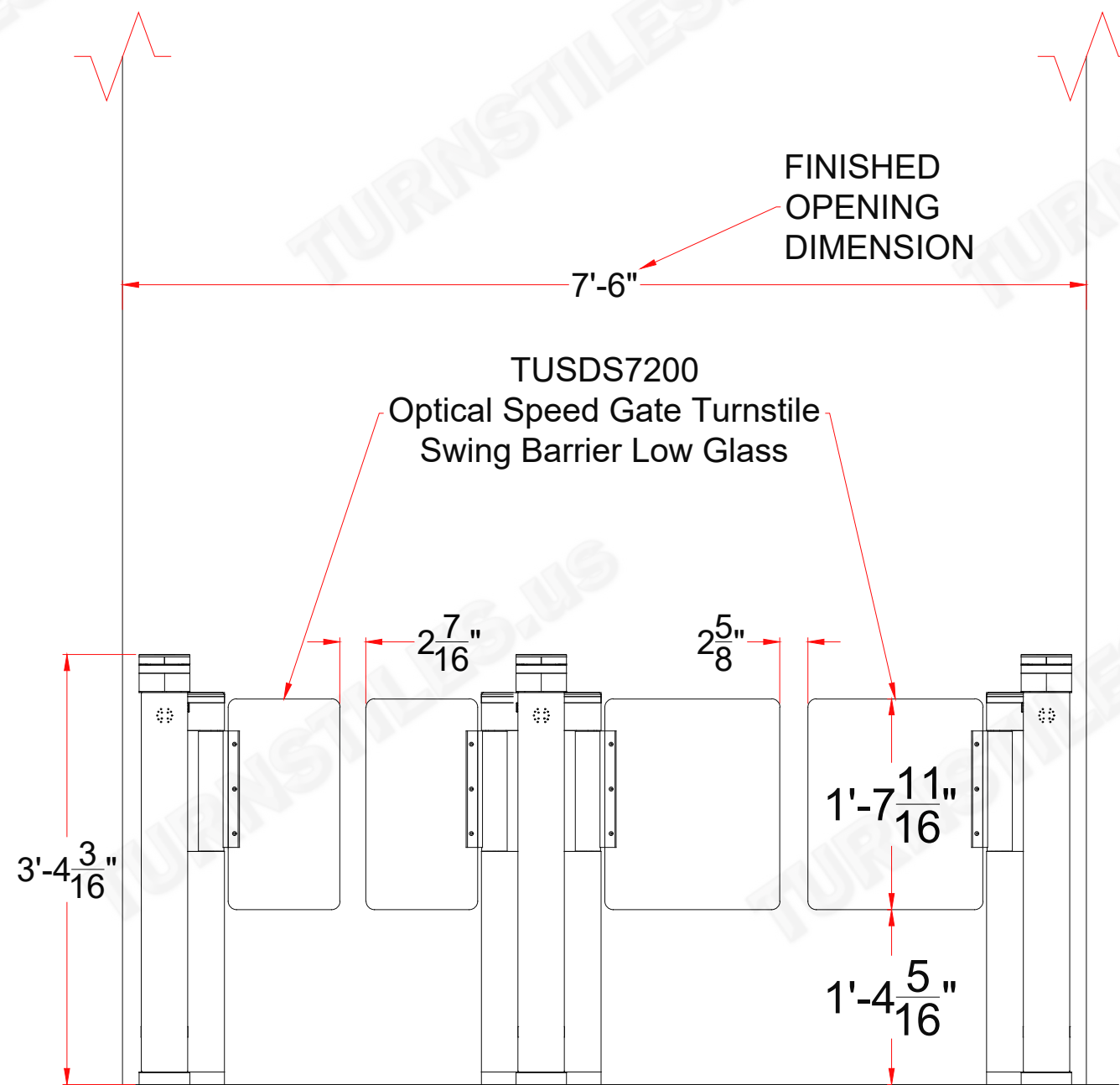
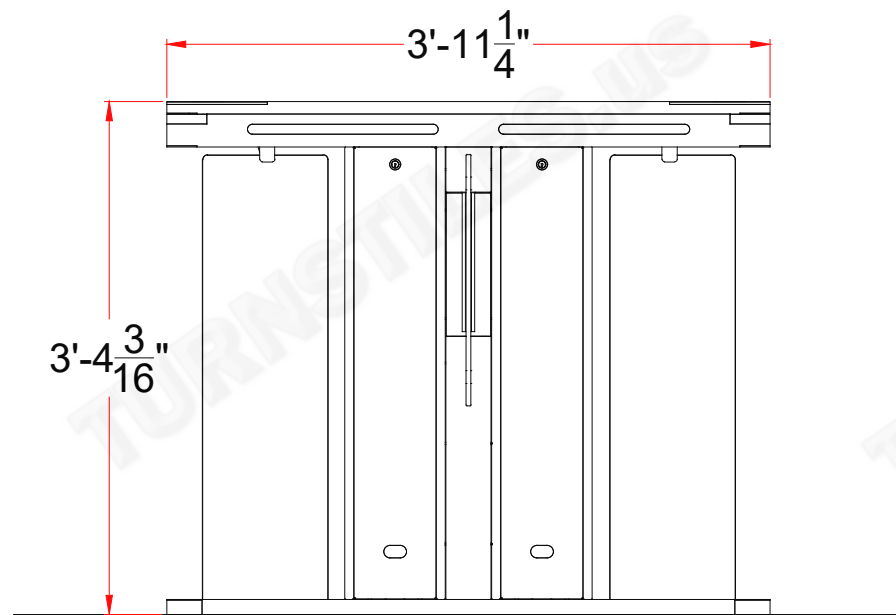


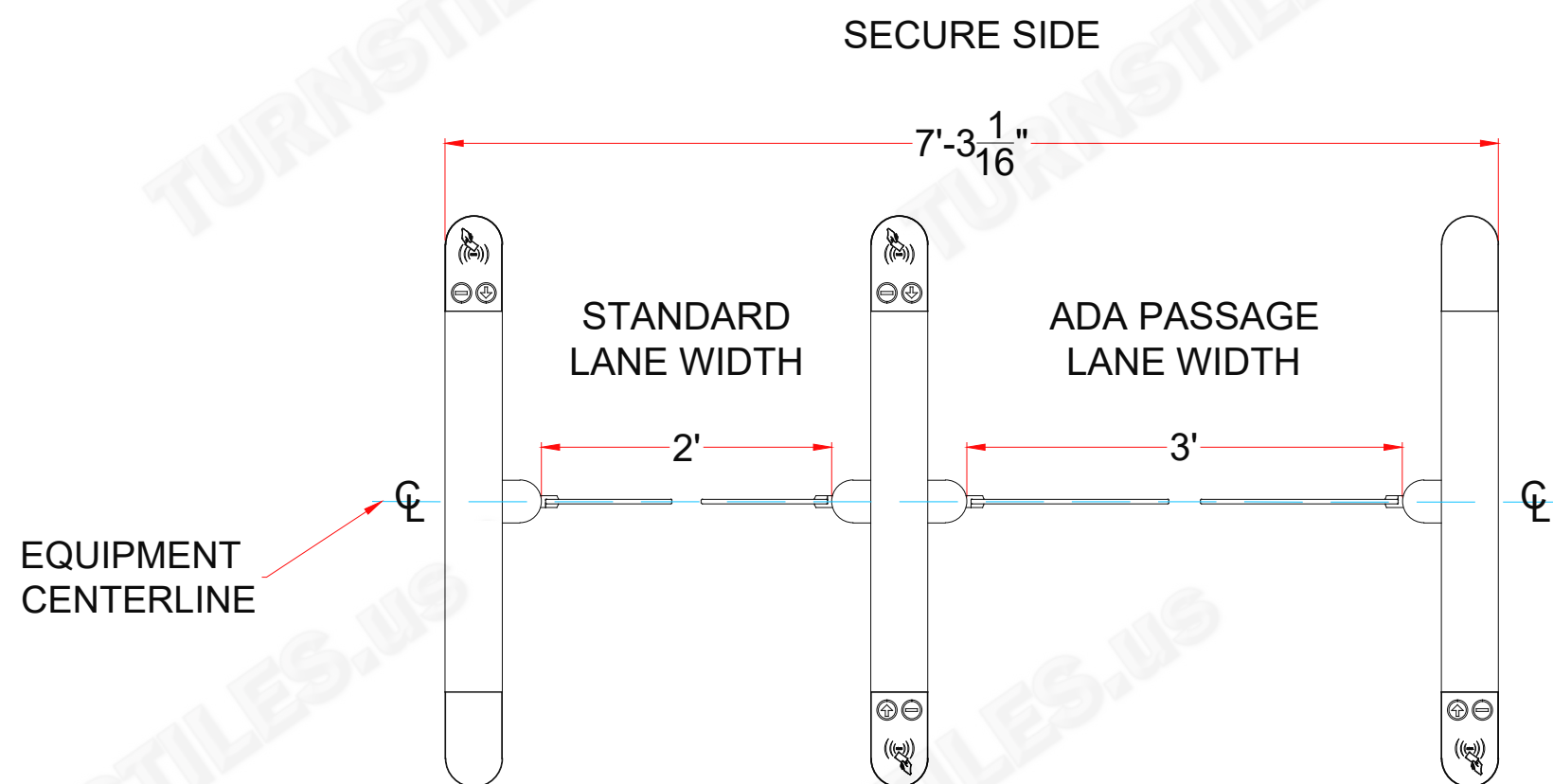
\* DIMENSIONS MAY VARY SLIGHTLY IN ACTUAL INSTALLATION - FABRICATION CHANGES OR SUBSTITUTIONS RESERVED \*



ELEVATION

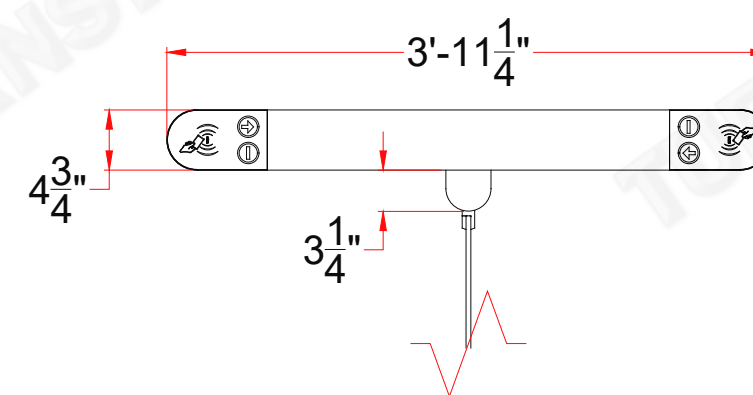


INSIDE VIEW



NON-SECURE SIDE

FOOT PRINT



TOP VIEW

AUTHORIZED SIGNATURE: \_\_\_\_\_ DATE: \_\_\_ / \_\_\_ / \_\_\_

FIRST DRAWN	BY
03-21-23	CJC
REVISED	BY
<p><b>COPYRIGHT © TURNSTILES.US</b>          Copyright © Turnstiles.us All rights reserved. Reproduction or translation of this work without the express written permission of TURNSTILES.us is unlawful and is an infringement of intellectual property belonging to TURNSTILES.us.          All drawings and/or designs are restricted for use exclusively with a purchase, installation, and/or support from Turnstiles.us. Any other use of these materials is a violation of copyright law. Request for additional information should be addressed to the Legal Department, Turnstiles.us.</p>	

**TURNSTILES.US**  
 www.TURNSTILES.us  
 Call 303 670 1099 \* Text 303 918 9787  
 patrick.mcallister@turnstiles.us

EQUIPMENT LOCATION DETAIL	
ARCO / MURRAY Blake Harmon 311 W HURON CHICAGO, IL TUSDS 7200 SPEED GATES	
DWG	ARCO / MURRAY TUSDS 7200 SPEED GATES ELD
DATE	03-21-23
SHEET - 1 OF 1	