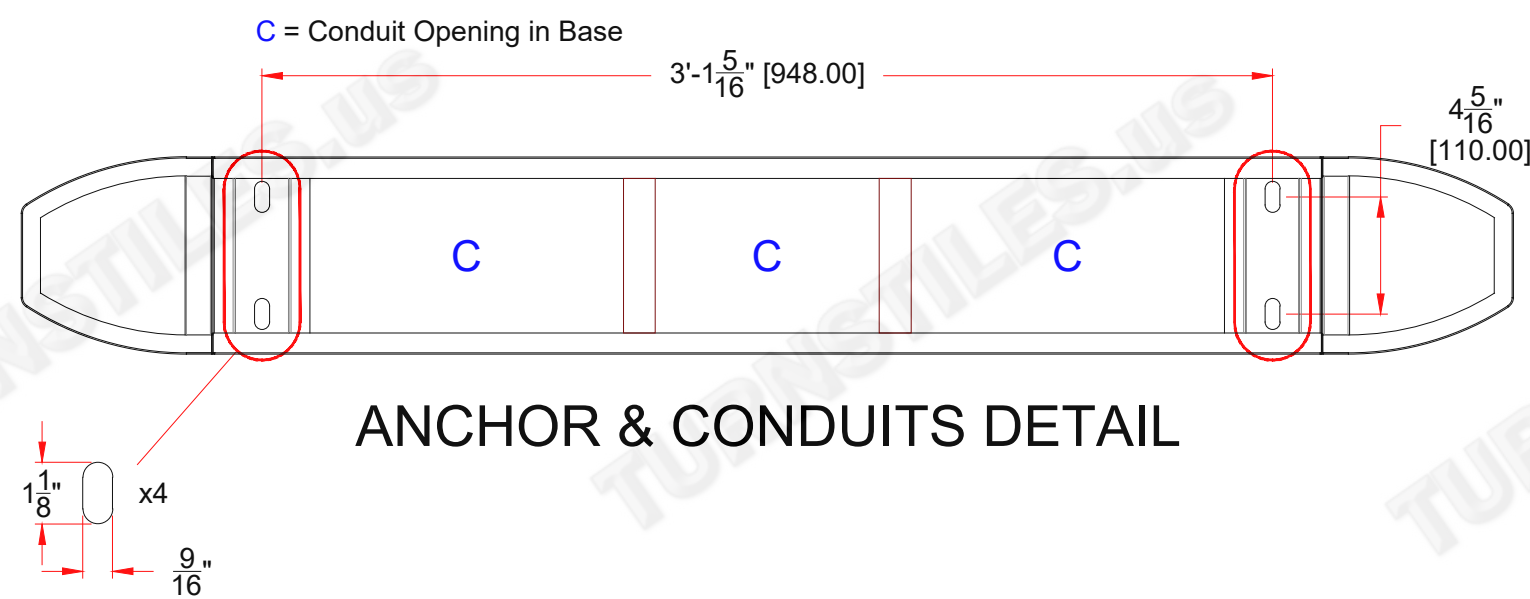
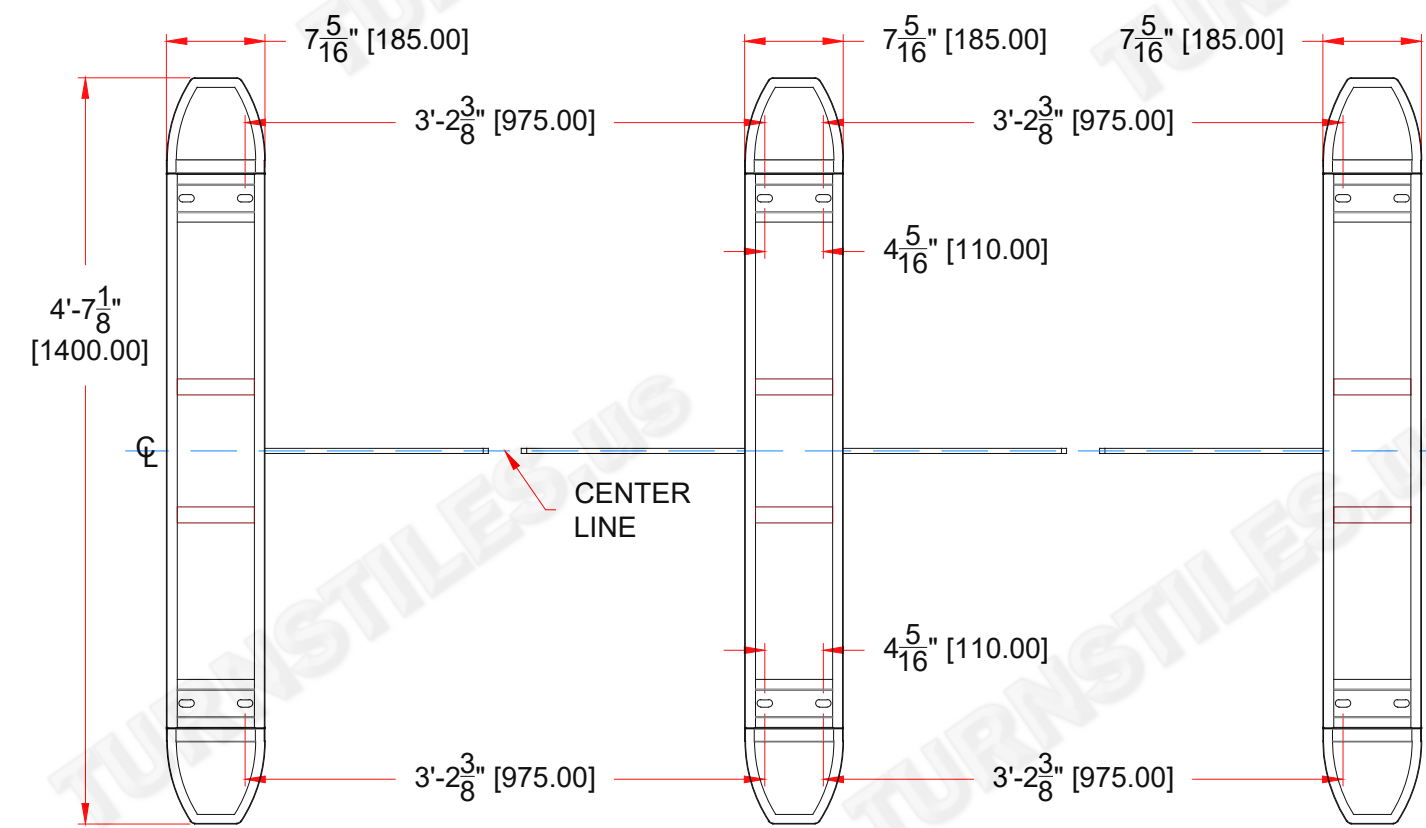
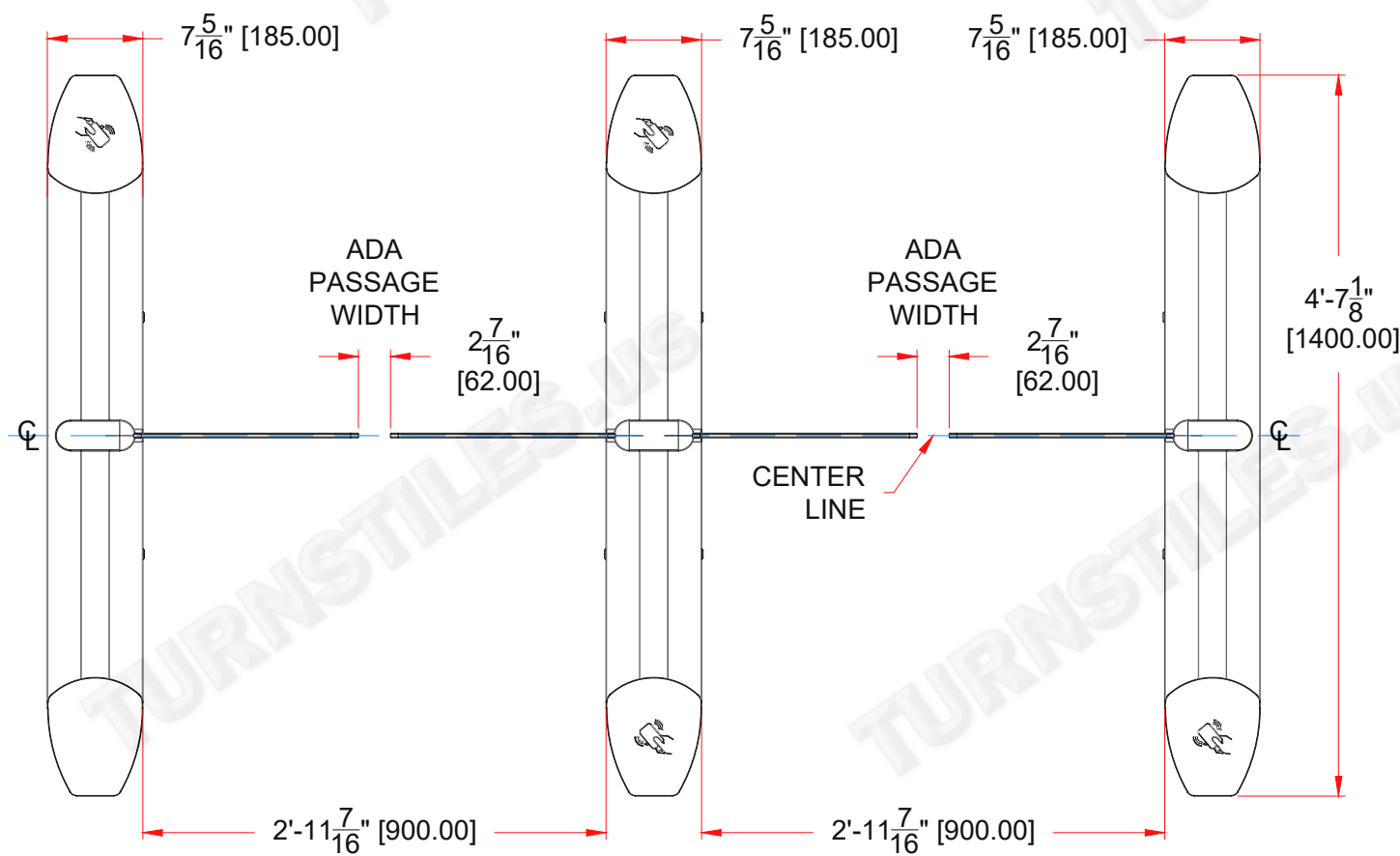
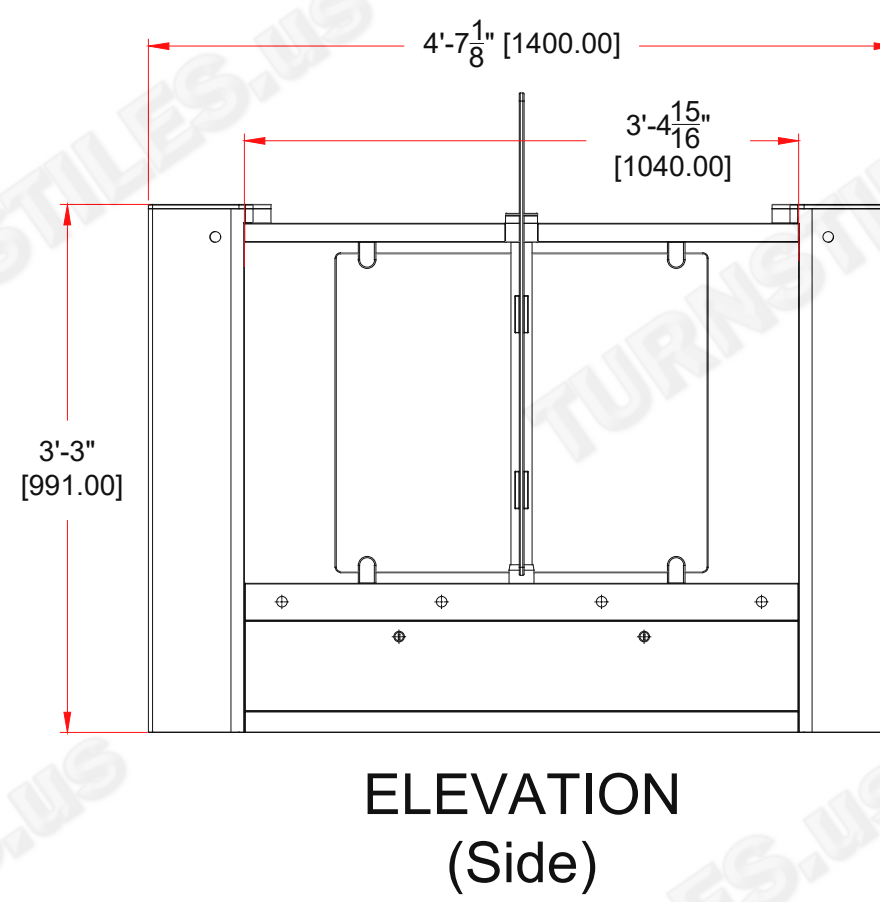
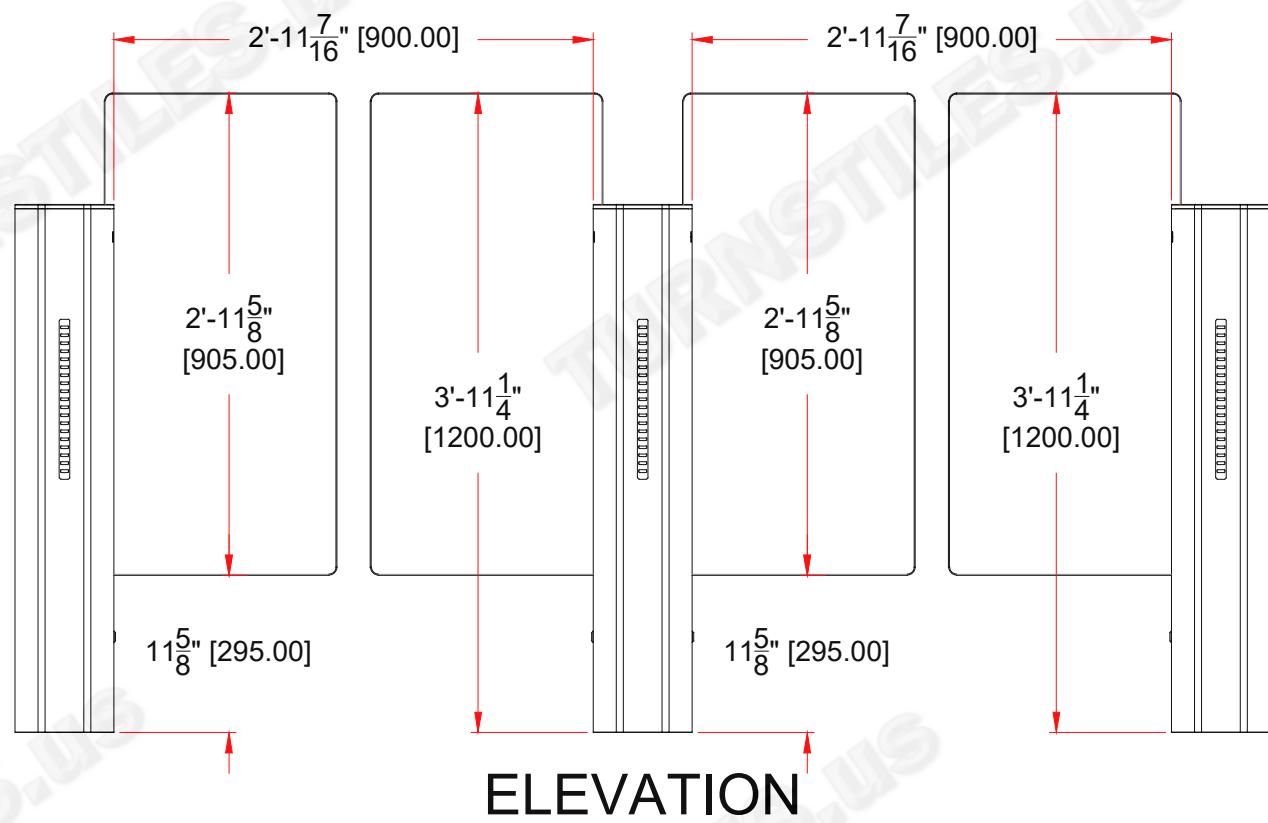


* DIMENSIONS MAY VARY SLIGHTLY IN ACTUAL INSTALLATION - FABRICATION CHANGES OR SUBSTITUTIONS RESERVED *



AUTHORIZED SIGNATURE: _____ DATE: ___ / ___ / ___

FIRST DRAWN	BY
04-13-23	CJC
REVISED	BY
COPYRIGHT © TURNSTILES.US Copyright © Turnstiles.us All rights reserved. Reproduction or translation of this work without the express written permission of TURNSTILES.US is unlawful and is an infringement of intellectual property belonging to TURNSTILES.US. All drawings and/or designs are restricted for use exclusively with a purchase, installation, and/or support from Turnstiles.us. Any other use of these materials is a violation of copyright law. Request for additional information should be addressed to the Legal Department, Turnstiles.us.	

TURNSTILES.US

www.TURNSTILES.us

Call 303 670 1099 * Text 303 918 9787

patrick.mcallister@turnstiles.us

DETAIL & DIMENSIONS	
TUSDSN-80 SPEED GATE HIGH GLASS	
DWG	TUSDSN-80 SG-HG EDD
DATE	04-13-23
SHEET - 1 OF 1	