

1

2

3

4

* DIMENSIONS MAY VARY SLIGHTLY IN ACTUAL INSTALLATION - FABRICATION CHANGES OR EQUIPMENT SUBSTITUTIONS RESERVED *

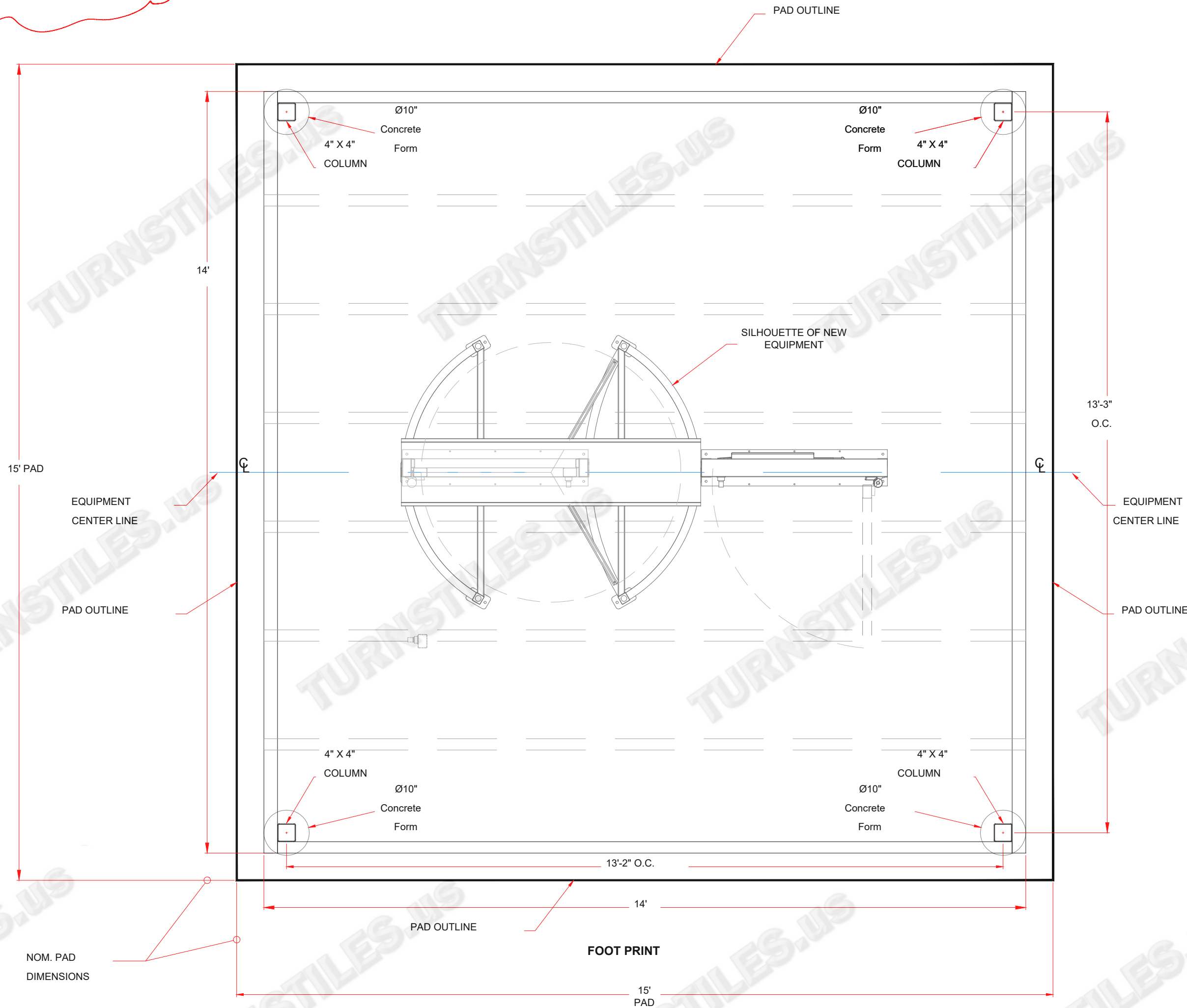
FIRST DRAWN	BY
08-15-23	CJC
REVISED	BY
10-24-23	CJC
01-04-24	CJC
01-19-24	RJI

COPYRIGHT © TURNSTILES.US
 Copyright © Turnstiles.us All rights reserved. Reproduction or translation of this work without the express written permission of TURNSTILES.US is unlawful and is an infringement of intellectual property belonging to TURNSTILES.US.
 All drawings and/or designs are restricted for use exclusively with a purchase, installation, and/or support from Turnstiles.us. Any other use of these materials is a violation of copyright law. Request for additional information should be addressed to the Legal Department, Turnstiles.us.

NOTES:

The dimensions provided are determined by the canopy type, size, and established construction methods and principles. Adjustments may be made according to client preferences or as needed to meet specific standards. Changes may also be made based on wind, rain, and snow load calculations in the respective county, city or state. Alternative construction methods and/or materials to ensure structural durability and stability are reserved.

TC-A East



AUTHORIZED SIGNATURE: _____ DATE: ___ / ___ / ___

TURNSTILES.US



www.TURNSTILES.us

Call 303 670 1099 * Text 303 918 9787

patrick.mcallister@turnstiles.us

CANOPY PAD DETAIL

Caterpillar Technical Center
 Mossville, IL - Shannon Popp
 Pad Detail for 14' x 14' Canopy
 over Access Control Equipment

DWG

CATERPILLAR
 CANOPY PAD
 DETAILS REV C

DATE 01-19-24

SHEET - 1 OF 1