

# Loss Prevention Series

## LP400-ADA-M

### Motorized Low Profile Gate | Interior Applications



#### Applications:

This low-profile ADA motorized gate is designed to control patrons in and out of retail establishments, and aid with loss prevention efforts.

#### Product Features:

##### Materials and Finishes:

- **Lid:** Select from our palette of solid surface colors
- **Cabinet:** Your choice of 11 designer powder coat colors to match any decor. Black is standard. Custom RAL colors can be quoted

#### Design & Construction:

- Designed for secure and reliable operation with aesthetics in mind
- Cabinet upper and lower shells are constructed with rigid (7 gauge) carbon steel with 16 gauge front panels
- Cover is designed from your choice of solid surface material
- Arm assembly constructed with 1 5/16" (33.4mm) diameter, (12 gauge) stainless steel



Shown with Weather Vein powder coating



## We're the #1 Choice of Top Architects, Security Pros and Engineers

For more than 30 years, TURNSTILES.us has been the globally trusted name in pedestrian control equipment. Made in Ohio and shipped worldwide, we are the first choice of leading architects, facility managers, security consultants, and engineers. Whether your project requires high security full-height turnstiles, waist high units, or matching ADA accessible gates, TURNSTILES.us is the secure choice. We're experienced in access control systems, from card readers to biometric scanning, to give you the power to control access.

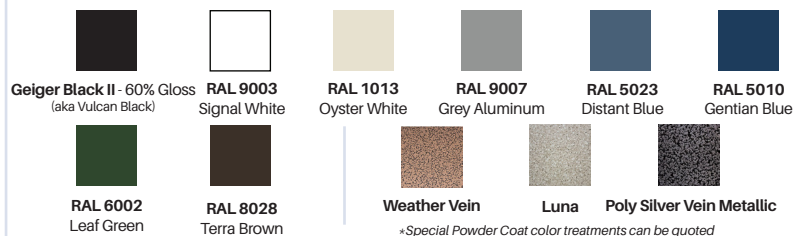
#### Corian top color selections:

These images are for example only and vary from actual colors. You should verify the color with your own sample. Additional solid surface colors/brands are possible and can be priced per project. Offerings may change without notice.



#### Standard powder coating color selections:

Additional colors available and can be quoted upon request.



\*Special Powder Coat color treatments can be quoted

# Loss Prevention Series

**LP400-ADA-M**

Motorized Low Profile Gate | Interior Applications



## Operation Features

- Smart motor driven ADA length gate
- No control head used for a low maintenance design
- Monitors the direction of traffic featuring audible and visual wrong way alarms
- Can be used as a free passage at an entrance while preventing exiting
- Home position alarm will sound if gate is forced open without using access control
- Cross beam cabinet sensors prevent premature gate closure
- Daylight visible indicator lights
- Nearly universal integration to any number of access control and fire alarm systems
- Gate moves freely upon power failure
- Optional Break-Away Mode available via settings

## Options:

- Wave to open switch
- Variable arm lengths (up to 36")
- Signage brackets
- Additional options available upon request

## Warranty:

Units are warranted against defects in materials and workmanship for a period of one year from date of delivery. See warranty information for specific details.

## Electrical Specifications:

Input Voltage: 100-240 VAC  
 Input Current: 2.15 - 1.13 A  
 Frequency: 50/60 Hz

Operating Voltage: 24VDC  
 Operating Current: Maximum 10 A

Storage Temperature: -40 to 158°F  
 Operating Temperature: -4 to 131°F

## Standards and Codes:

Austenitic stainless steel:  
 ASTM A240, A249, A276

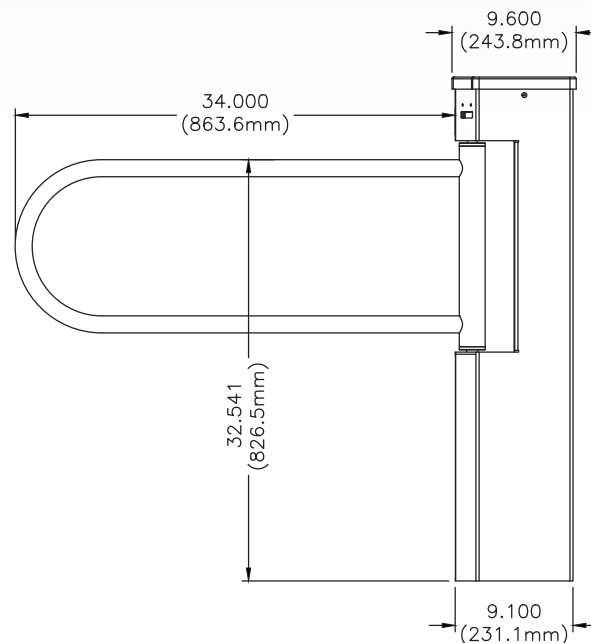
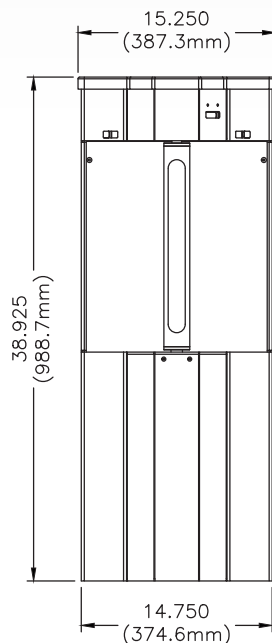
Hot rolled steel:  
 AISI C-1020, AISI C-1018

All fasteners provided meet IFI ANSI/  
 ASME Fastener Standards

American Welding Society (AWS)  
 Standard D 1.1



Shown with Weather Vein powder coating



Controlled Access, Inc. is certified by Advantage International Registrar to be an ISO 9001:2015 company