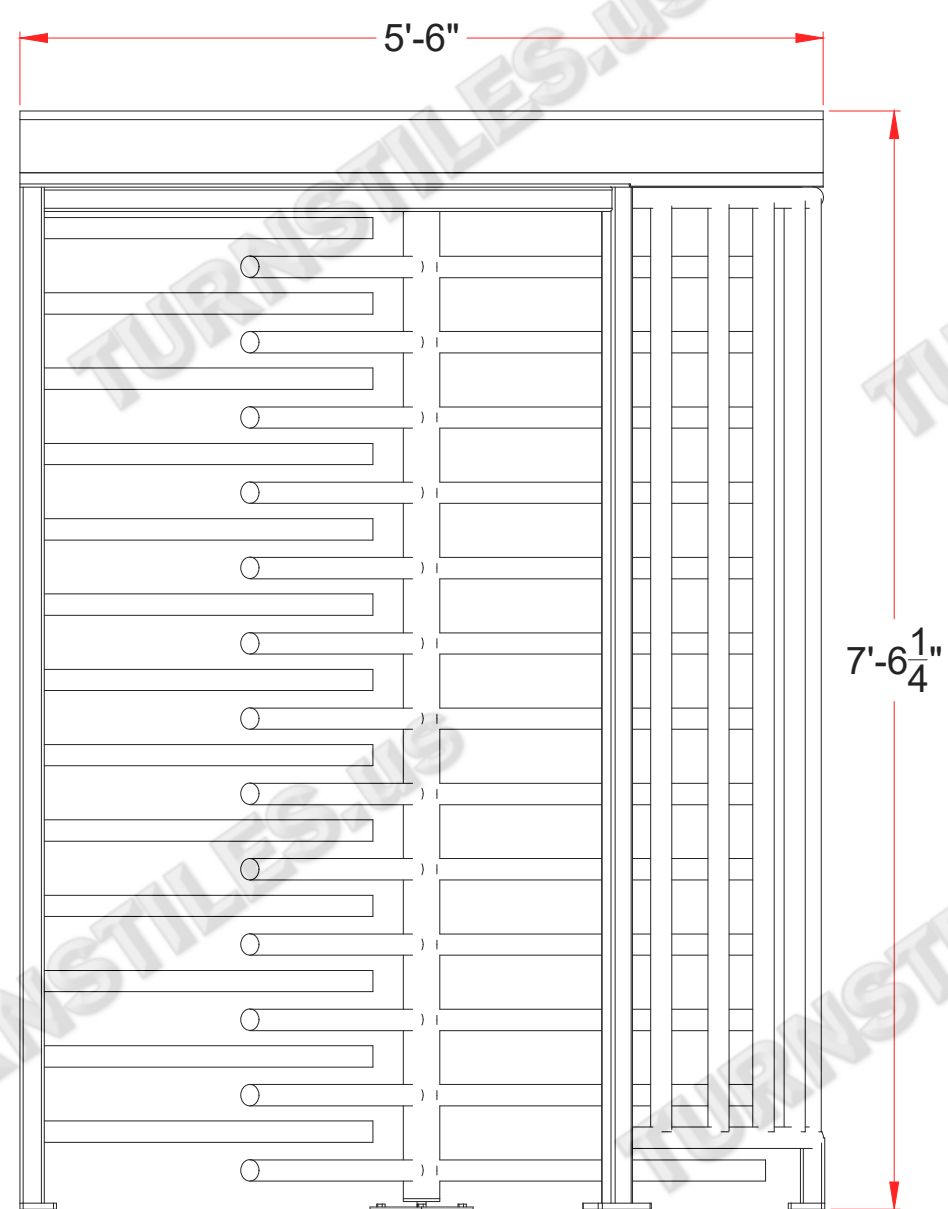
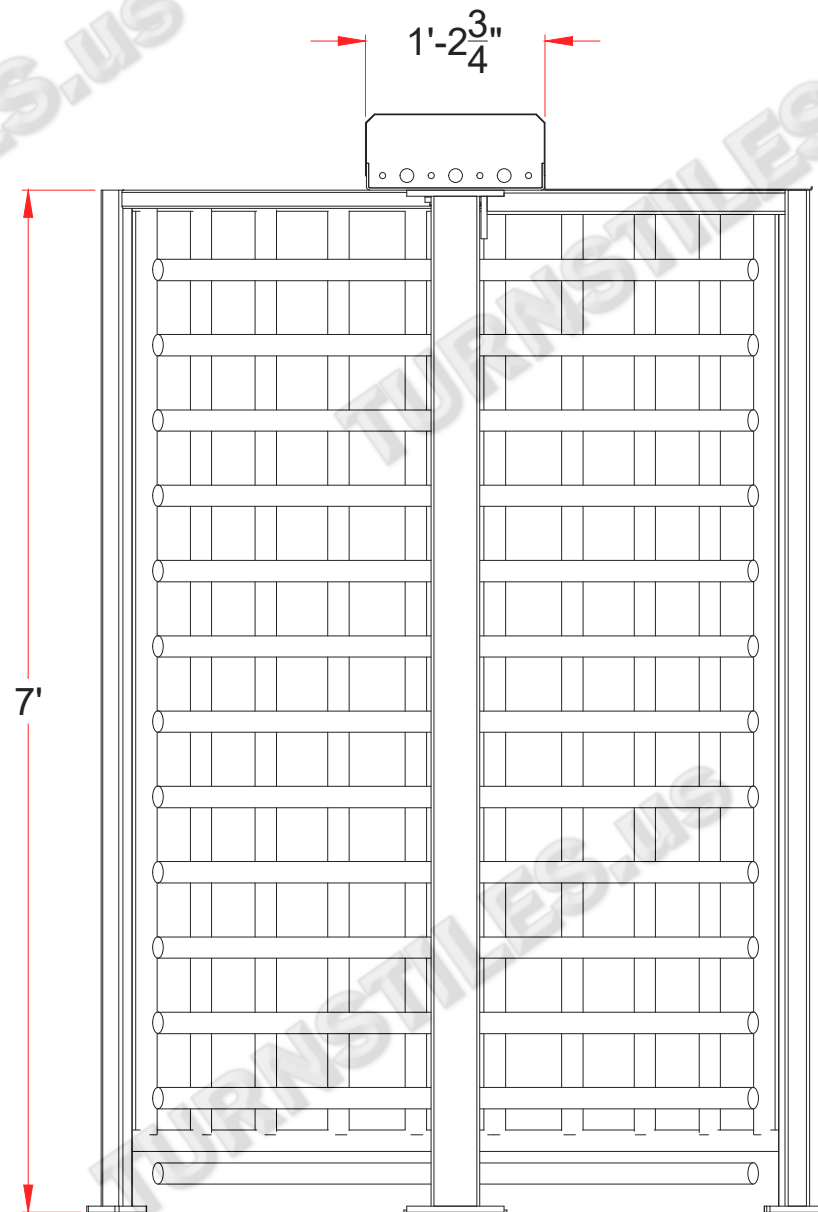


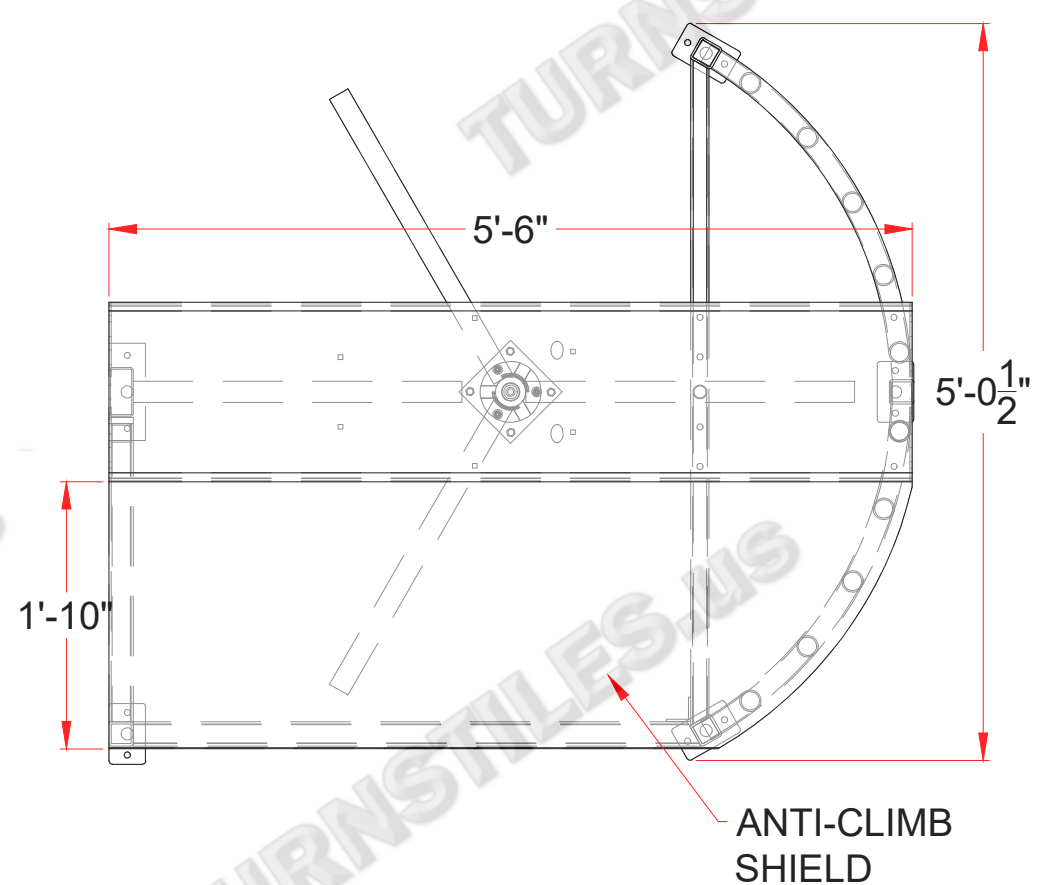
* DIMENSIONS MAY VARY IN ACTUAL INSTALLATION - FABRICATION CHANGES RESERVED - SIMILAR EQUIPMENT MAY BE SUBSTITUTED *



ELEVATION
UN-SECURE SIDE

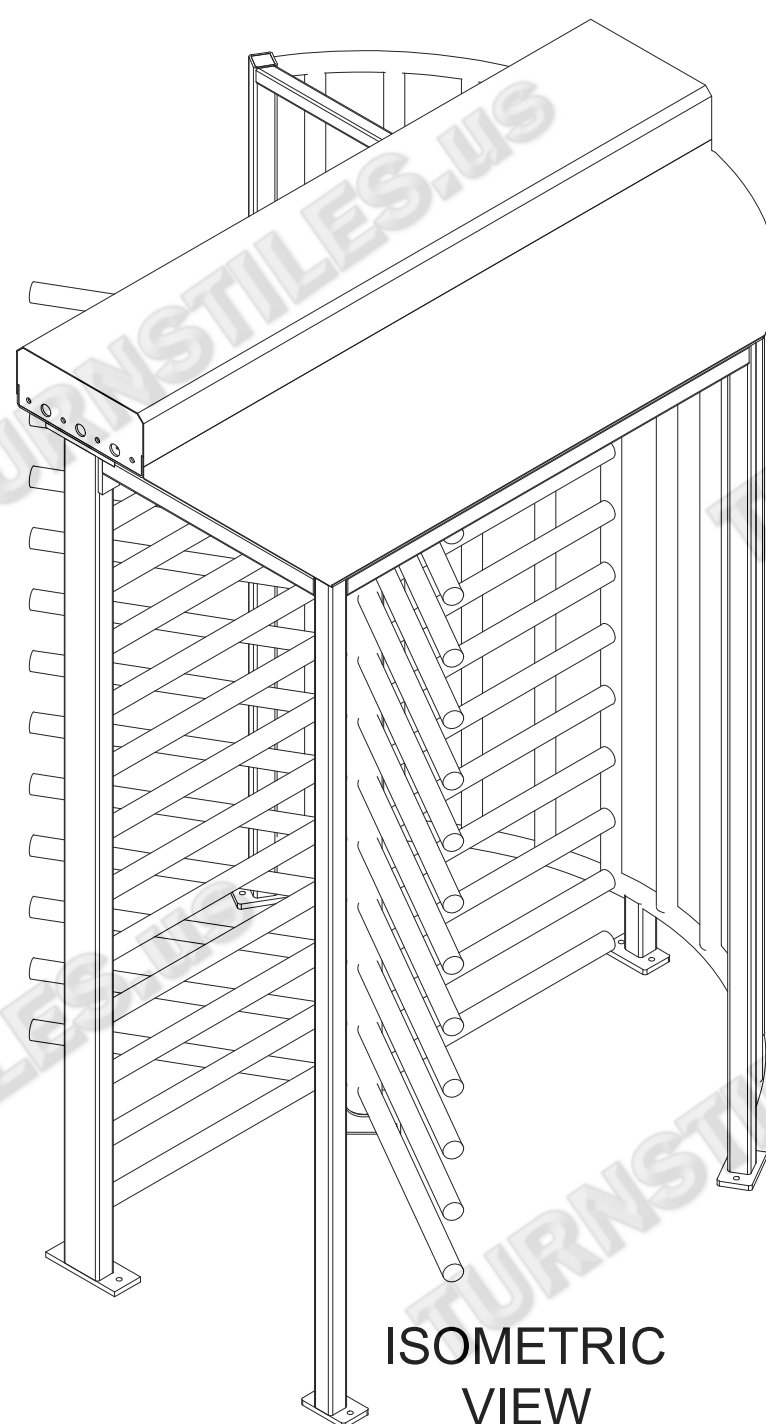


ELEVATION
LEFT SIDE



FOOT PRINT

ANTI-CLIMB
SHIELD



ISOMETRIC
VIEW

AUTHORIZED SIGNATURE: _____

DATE: ___ / ___ / ___

FIRST DRAWN	BY
11/06/20	CJC
REVISED	BY

COPYRIGHT © TURNSTILES.US
 Copyright © Turnstiles.us All rights reserved. Reproduction or translation of this work without the express written permission of TURNSTILES.US is unlawful and is an infringement of intellectual property belonging to TURNSTILES.US.
 All drawings and/or designs are restricted for use exclusively with a purchase, installation, and/or support from Turnstiles.us. Any other use of these materials is a violation of copyright law. Request for additional information should be addressed to the Legal Department, Turnstiles.us.

TURNSTILES.US

www.TURNSTILES.us

Call 303 670 1099 * Text 303 918 9787

patrick.mcallister@turnstiles.us

Equipment Details & Dimensions

AG-30-T SERIES
 FULL HEIGHT TURNSTILE
 WITH ANTI-CLIMB SHIELD

DWG
 11-06-20
 AG-30-T ANTI-CLIMB SHIELD
 DETAIL

DATE 11-06-20

SHEET - 1 OF 1