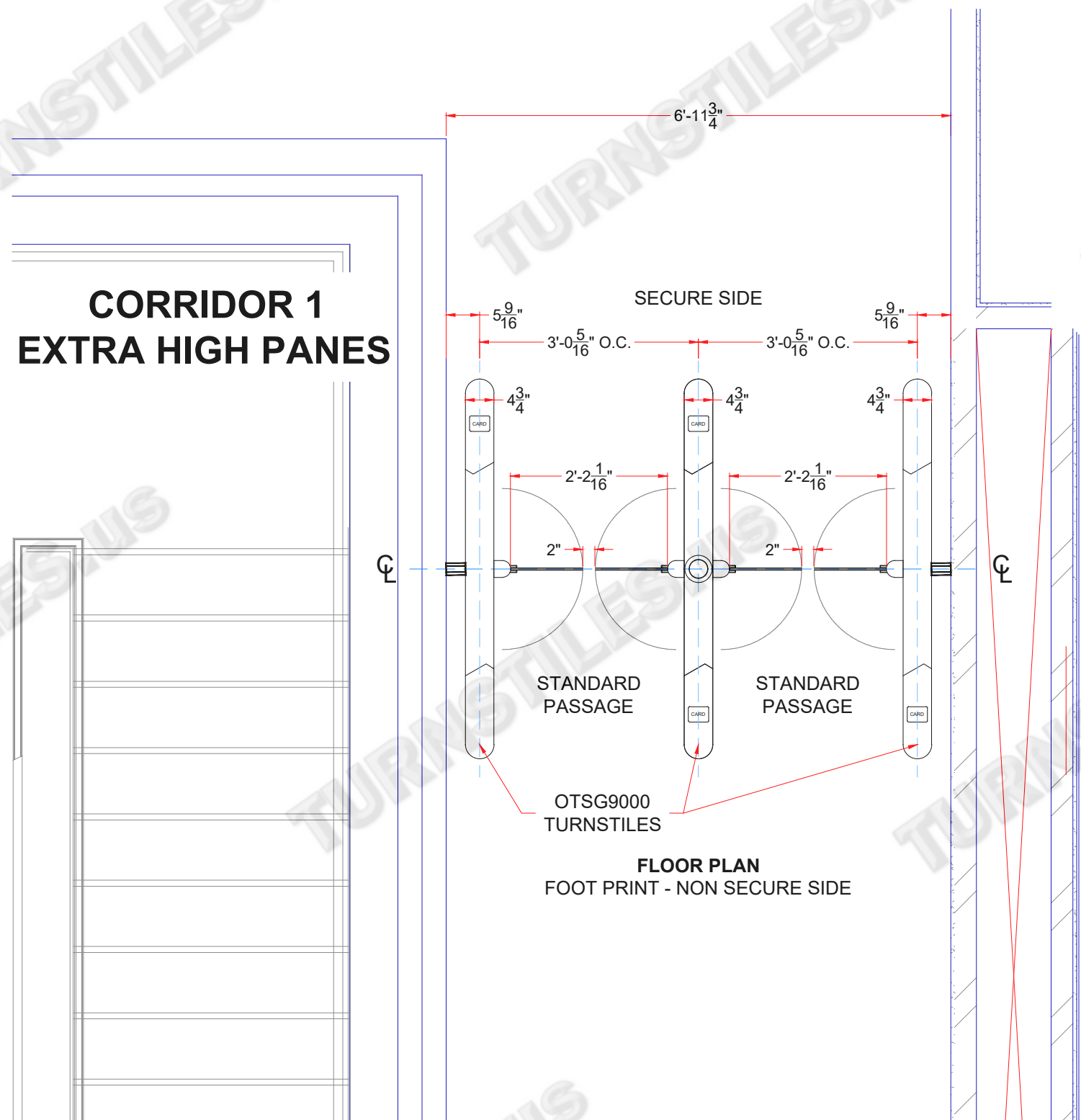


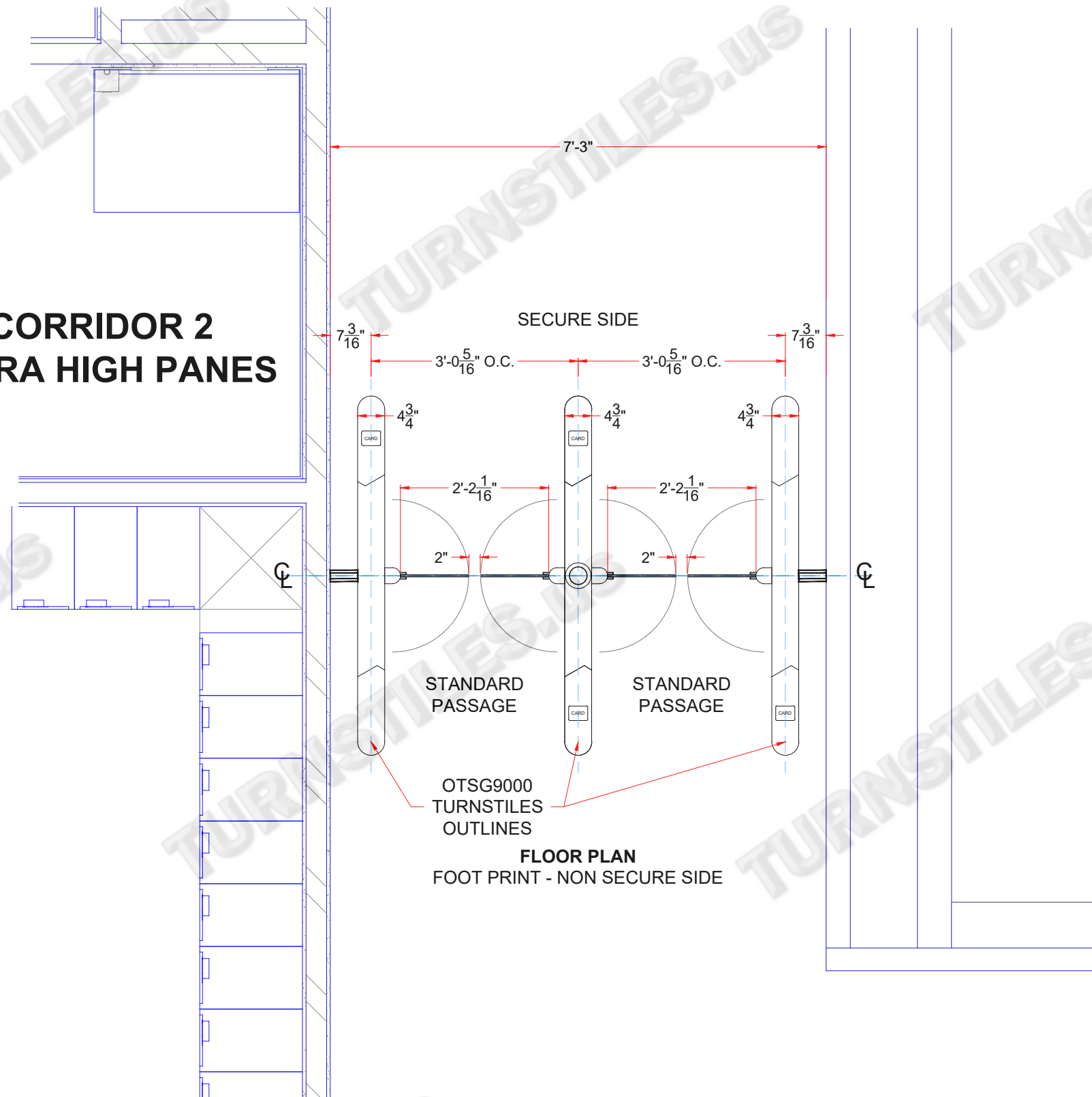
\*\*\* DIMENSIONS MAY VARY SLIGHTLY IN ACTUAL INSTALLATION - FABRICATION CHANGES OR SUBSTITUTIONS RESERVED \*\*\*

**CORRIDOR 1  
EXTRA HIGH PANES**

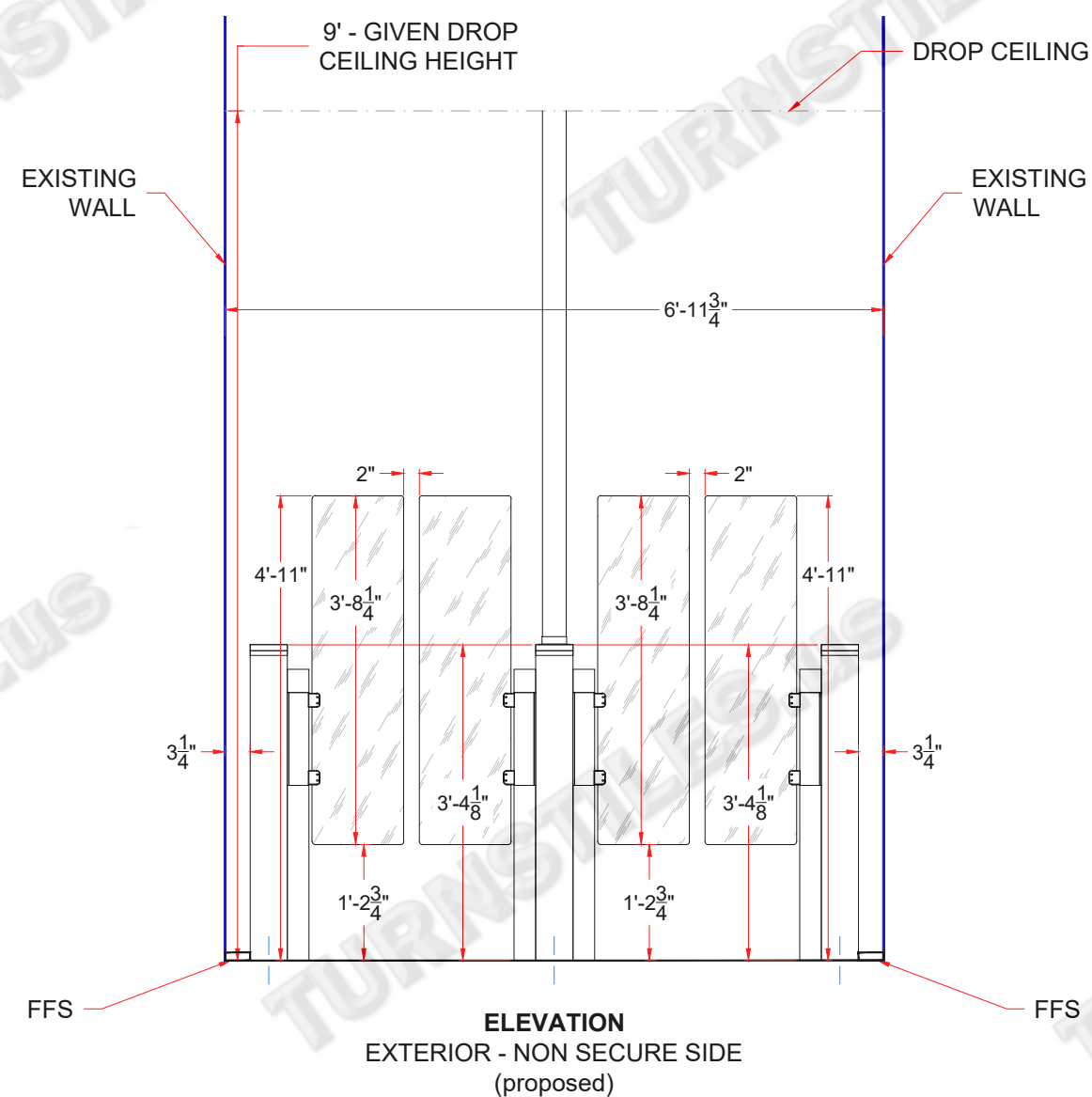


**FLOOR PLAN  
FOOT PRINT - NON SECURE SIDE**

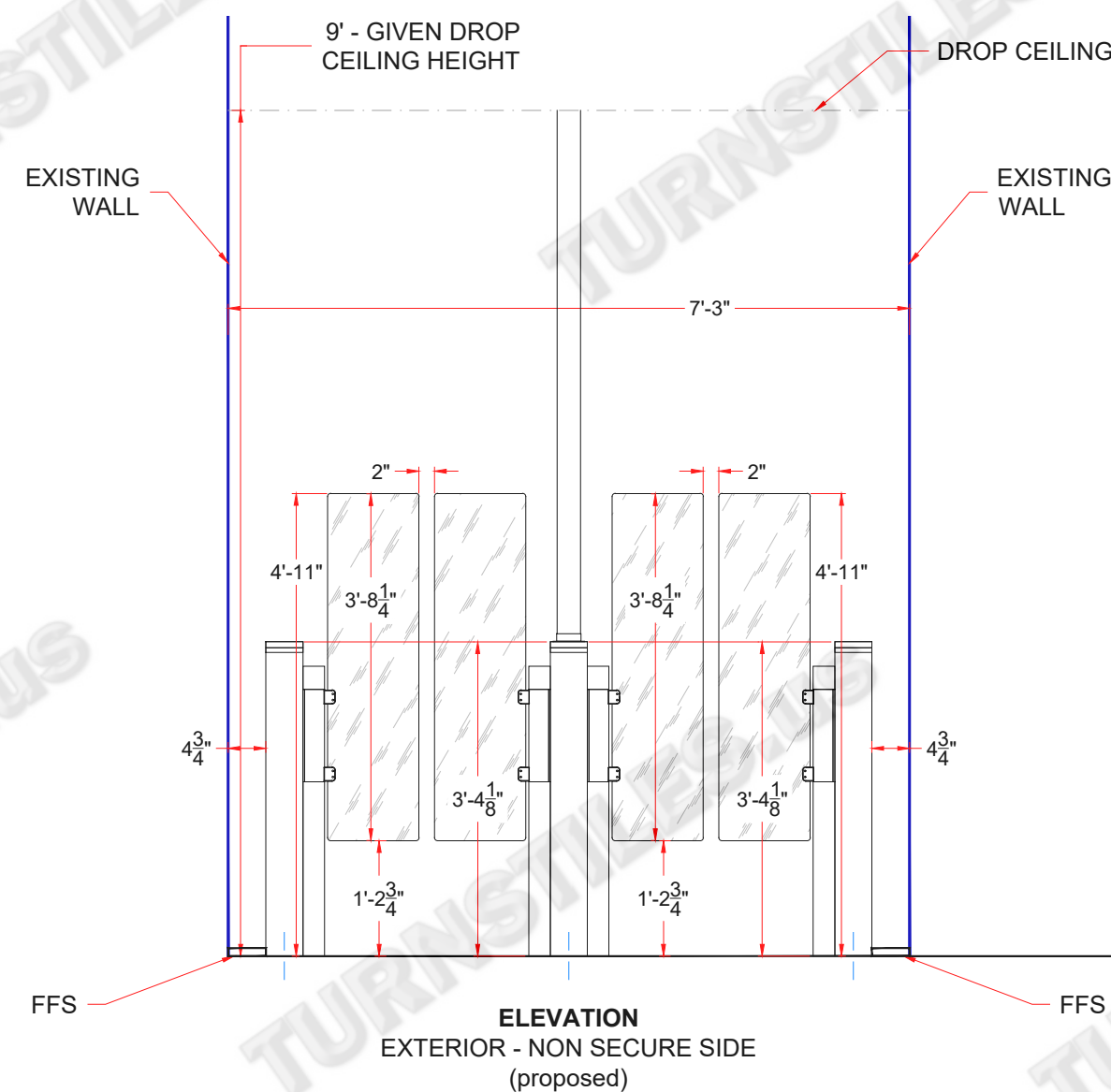
**CORRIDOR 2  
EXTRA HIGH PANES**



**FLOOR PLAN  
FOOT PRINT - NON SECURE SIDE**



**ELEVATION  
EXTERIOR - NON SECURE SIDE  
(proposed)**



**ELEVATION  
EXTERIOR - NON SECURE SIDE  
(proposed)**

AUTHORIZED SIGNATURE: \_\_\_\_\_

DATE: \_\_\_ / \_\_\_ / \_\_\_

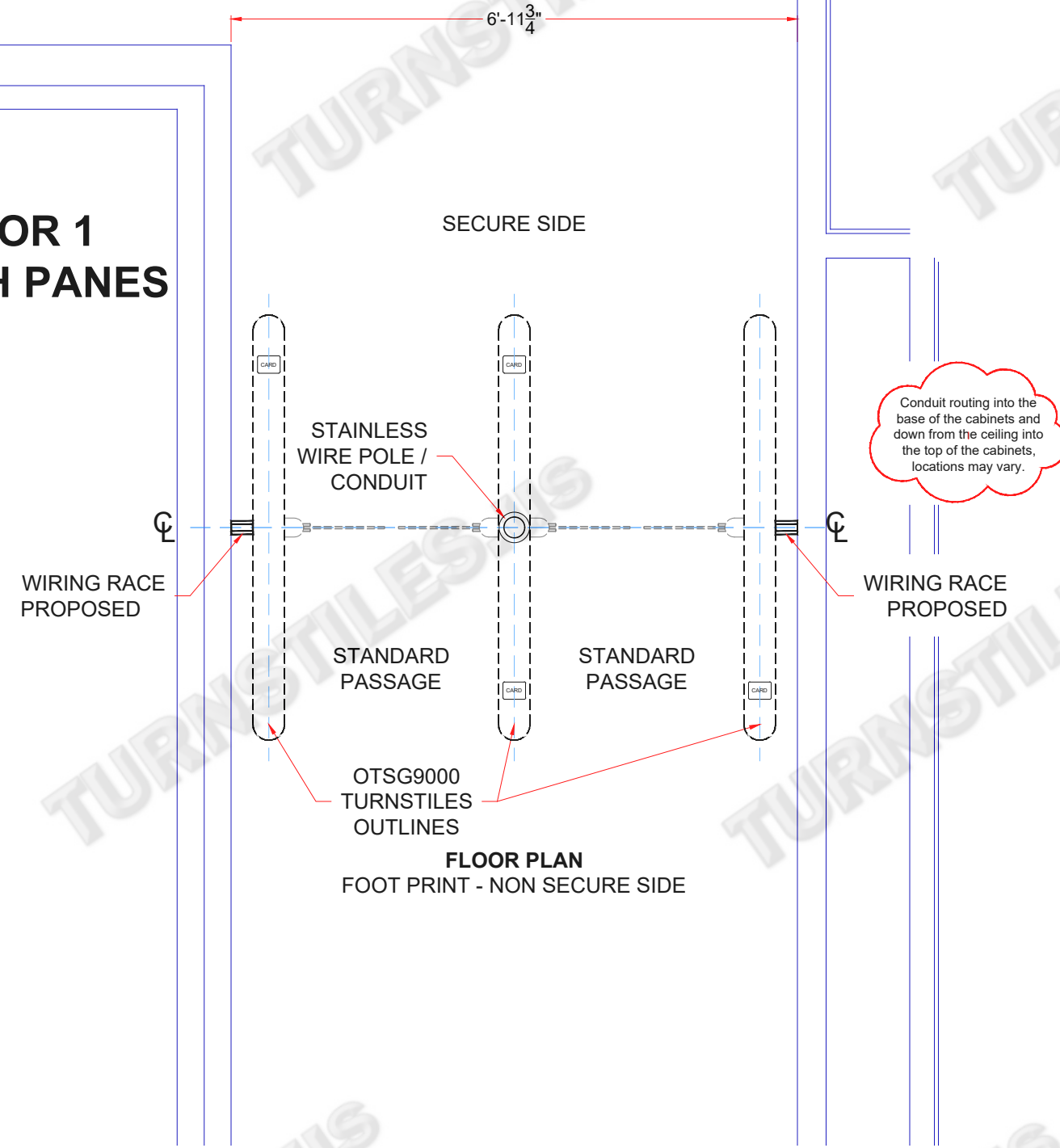
FIRST DRAWN	BY
02-06-24	CJC
REVISED	BY
<p><b>COPYRIGHT © TURNSTILES.US</b>                  Copyright © Turnstiles.us All rights reserved. Reproduction or translation of this work without the express written permission of TURNSTILES.US is unlawful and is an infringement of intellectual property belonging to TURNSTILES.US.                  All drawings and/or designs are restricted for use exclusively with a purchase, installation, and/or support from Turnstiles.us. Any other use of these materials is a violation of copyright law. Request for additional information should be addressed to the Legal Department, Turnstiles.us.</p>	

**TURNSTILES.US**  
 SECURING THE USA and the GLOBE since 1989  
 www.TURNSTILES.us  
 Call: 303-670-1099 | Text: 303-918-9787  
 patrick.mcallister@turnstiles.us

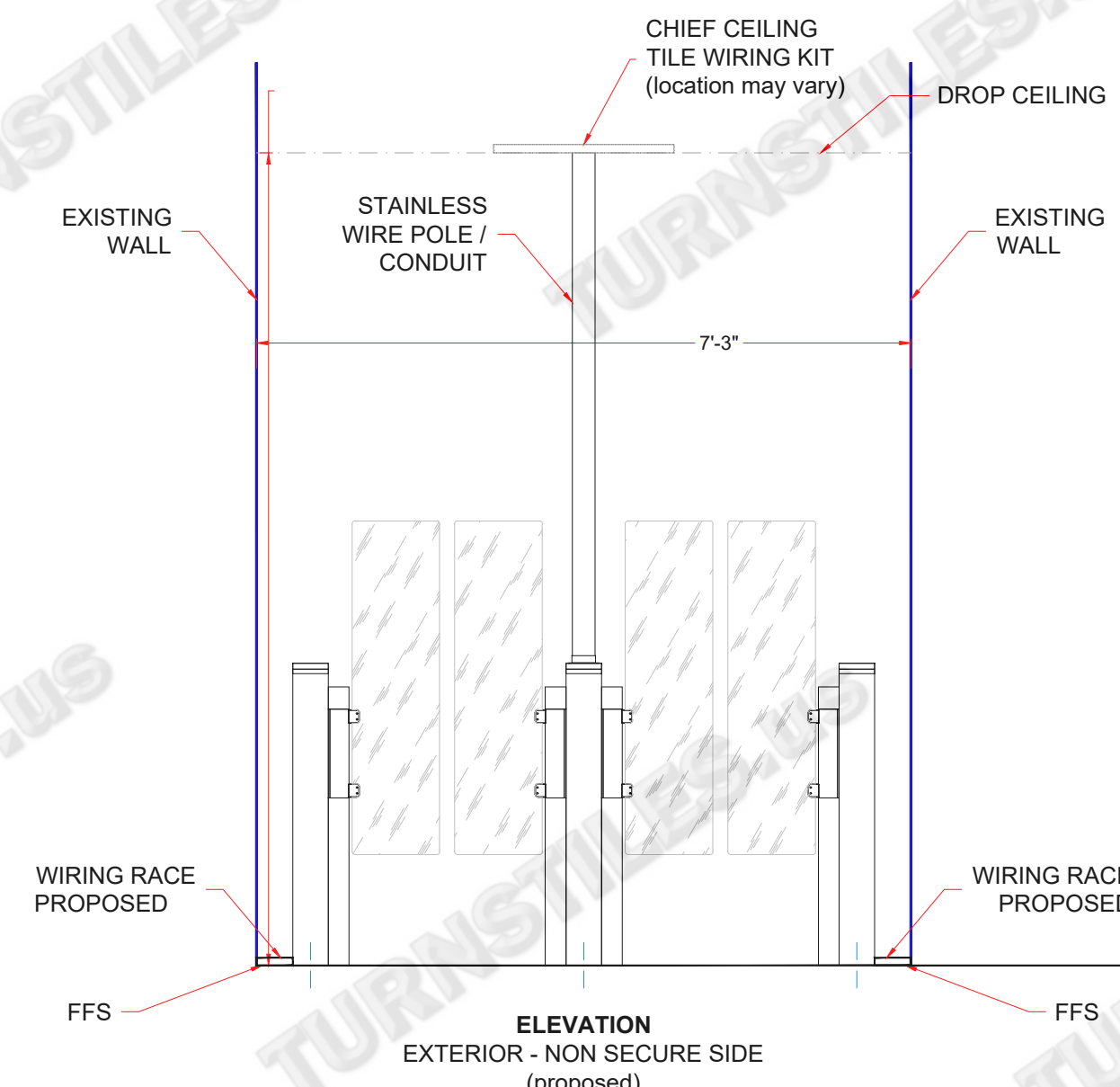
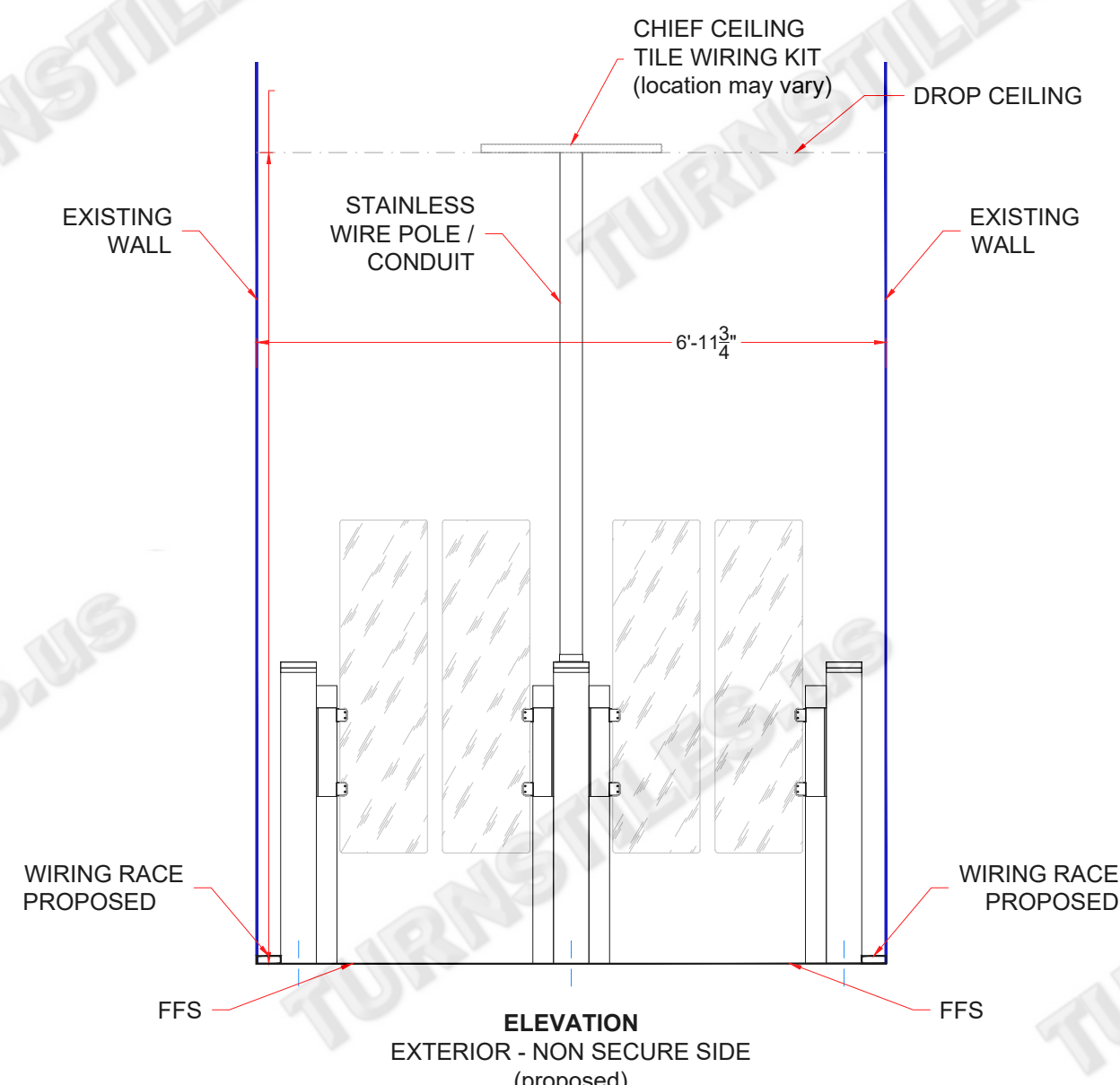
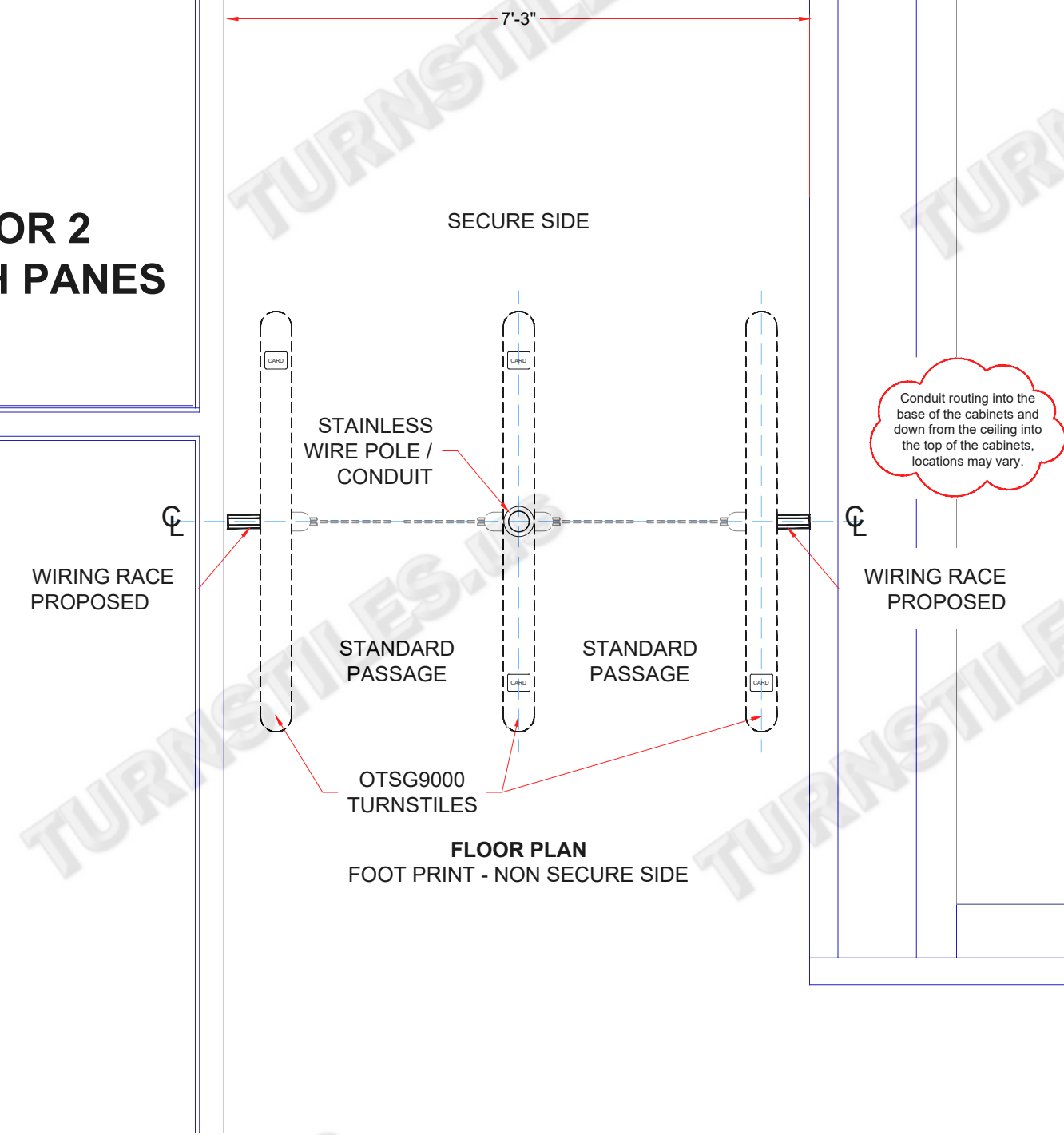
<b>Equipment Location Detail</b>	
Dennis Group Amy Andolino OTSG9000 Optical Turnstiles Two Corridors 2 - Standard Lanes	
DRAWING:	Dennis Group Optical Turnstile Arrays Two Corridors Detail
DATE:	02-06-24
PAGE:	1 OF 2

\*\*\* DIMENSIONS MAY VARY SLIGHTLY IN ACTUAL INSTALLATION - FABRICATION CHANGES OR SUBSTITUTIONS RESERVED \*\*\*

**CORRIDOR 1  
EXTRA HIGH PANES**



**CORRIDOR 2  
EXTRA HIGH PANES**



AUTHORIZED SIGNATURE: \_\_\_\_\_

DATE: \_\_\_ / \_\_\_ / \_\_\_

FIRST DRAWN	BY
02-06-24	CJC
REVISED	BY
COPYRIGHT © TURNSTILES.US Copyright © Turnstiles.us All rights reserved. Reproduction or translation of this work without the express written permission of TURNSTILES.US is unlawful and is an infringement of intellectual property belonging to TURNSTILES.US. All drawings and/or designs are restricted for use exclusively with a purchase, installation, and/or support from Turnstiles.us. Any other use of these materials is a violation of copyright law. Request for additional information should be addressed to the Legal Department, Turnstiles.us.	

**TURNSTILES.US**  
 SECURING THE USA and the GLOBE since 1989  
 www.TURNSTILES.us  
 Call: 303-670-1099 | Text: 303-918-9787  
 patrick.mcallister@turnstiles.us

Wiring Kit Detail	
Dennis Group Amy Andolino OTSG9000 Optical Turnstiles Wiring Kit to Cabinets From Sides & Above	
DRAWING:	Dennis Group Optical Turnstile Arrays Two Corridors Wiring Detail
DATE:	02-06-24
PAGE:	2 OF 2