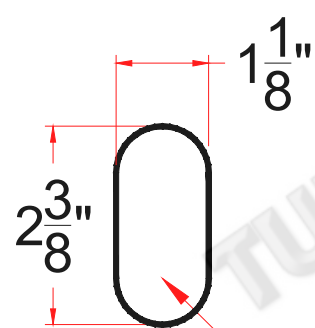
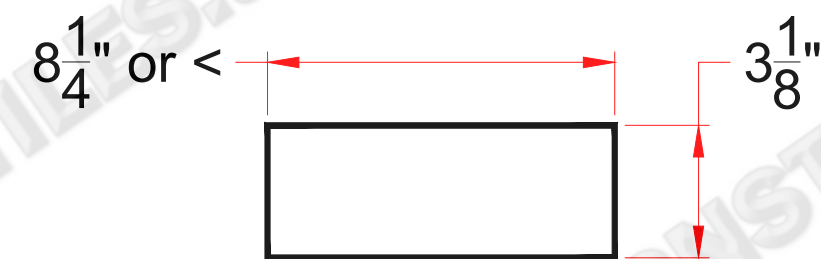


*** DIMENSIONS MAY VARY SLIGHTLY IN ACTUAL INSTALLATION - FABRICATION CHANGES OR SUBSTITUTIONS RESERVED ***

Bolt Holes
Qty. 8 - Use all
(recommended)

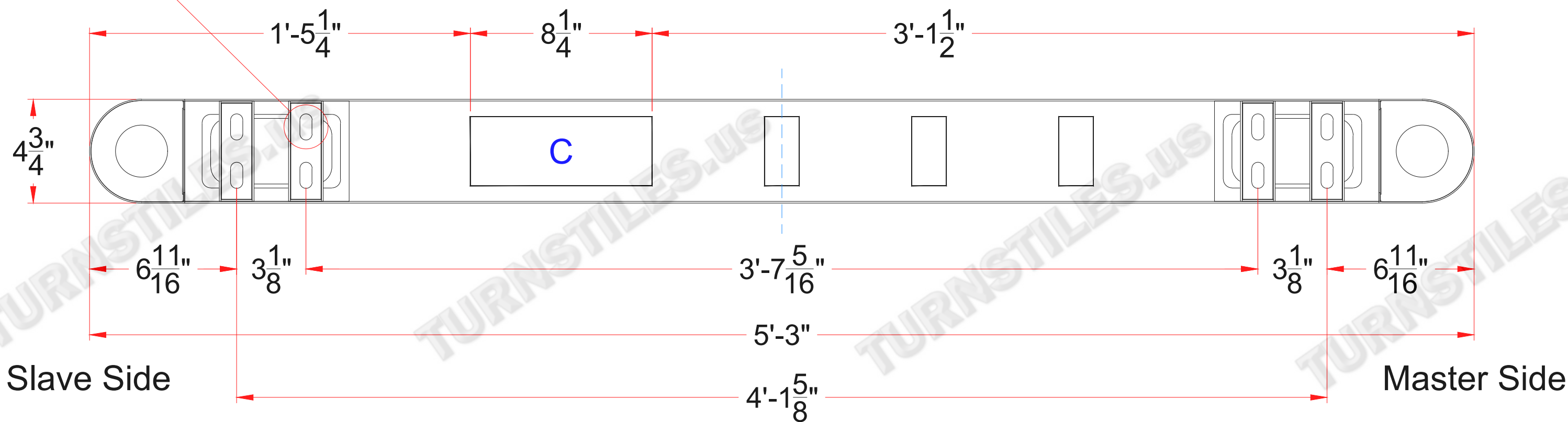


**Modified
Conduits Opening
Dimensions**



C = Conduits Opening in Base
On Secure Side / Slave Side

Cabinet Base Template



AUTHORIZED SIGNATURE: _____

DATE: ___ / ___ / ___

FIRST DRAWN	BY
02-01-24	CJC
REVISED	BY

COPYRIGHT © TURNSTILES.US
Copyright © Turnstiles.us All rights reserved. Reproduction or translation of this work without the express written permission of TURNSTILES.US is unlawful and is an infringement of intellectual property belonging to TURNSTILES.US. All drawings and/or designs are restricted for use exclusively with a purchase, installation, and/or support from Turnstiles.us. Any other use of these materials is a violation of copyright law. Request for additional information should be addressed to the Legal Department, Turnstiles.us.

TURNSTILES.US
SECURING THE USA and the GLOBE since 1989
www.TURNSTILES.US
Call: 303-670-1099 | Text: 303-918-9787
patrick.mcallister@turnstiles.us

Equipment Location Detail	
Dennis Group Amy Andolino OTSG9000 Optical Turnstiles 5 Lanes - 4 Standard / 1 ADA Base Detail for Modified Conduits Opening	
DRAWING:	
Dennis Group Optical Turnstile Arrays Main Entrance BASE DET	
DATE:	02-01-24
PAGE:	1 OF 1