



# Caterpillar Technical Center with CORE Construction Mossville, IL

**Submitted to:**  
CORE Construction  
Mossville, IL

**Submitted by:**  
www.TURNSTILES.us, Inc.  
January 2024

www.TURNSTILES.us is an organization dealing with the physical and electronic securing of building entrances with Turnstiles, Mantraps, EntraPASS Access Control Hardware, and Software since 1989.

The team at TURNSTILES.us is delighted to provide our Turnstile Entrance Solutions to CORE Construction for Caterpillar Technical Center in Illinois. Selected equipment information is listed below. We appreciate the opportunity to secure your facility.



# Project Submittal

V 3.0

# Overview



BTC Basic Turnstile Canopy



AG30-TLX Turnstile



AG36-ADA Gate Lexan



Portable Turnstile



Design & Installation

## Temporary Turnstiles for Construction Access

### Temporary Construction Site Turnstiles:

- (4) Full Height Single Turnstiles with Portable Bases
- Cut gaps out of the fence line, add post, and place turnstile
- After project is complete, remove the turnstiles and close fence gaps



## TC-L West



- TC-L WEST:**
- (2) Full Height Turnstiles with Polycarbonate Panels
  - (1) ADA Door with Glass and Panic Bar
  - (1) Single Turnstile on Portable Base Rental
  - (1) 18' x 25' Canopy
  - (1) Custom 6'x6' Storage Room with Door



## TC-A East



### TC-A EAST

- (1) Full Height Turnstile with Polycarbonate Panels
- (1) ADA Door with Glass and Panic Bar
- (1) Single Turnstile on Portable Base Rental
- (1) 15' x 15' Canopy



## TC-E North East



- TC-E NORTH EAST:**
- (1) Tandem Full Height Turnstile with Lexan Shields
    - Stainless Steel
    - Protective Coating on 18 Hand-Level Arms
    - 4 Card Reader Mounting Plates (gate reader shares plate)
  - (1) ADA Door with Lexan Infill
    - Motorized Opener
    - Sense Bar and Maglock
  - (1) Single Turnstile on Portable Base Rental



## TC-K East

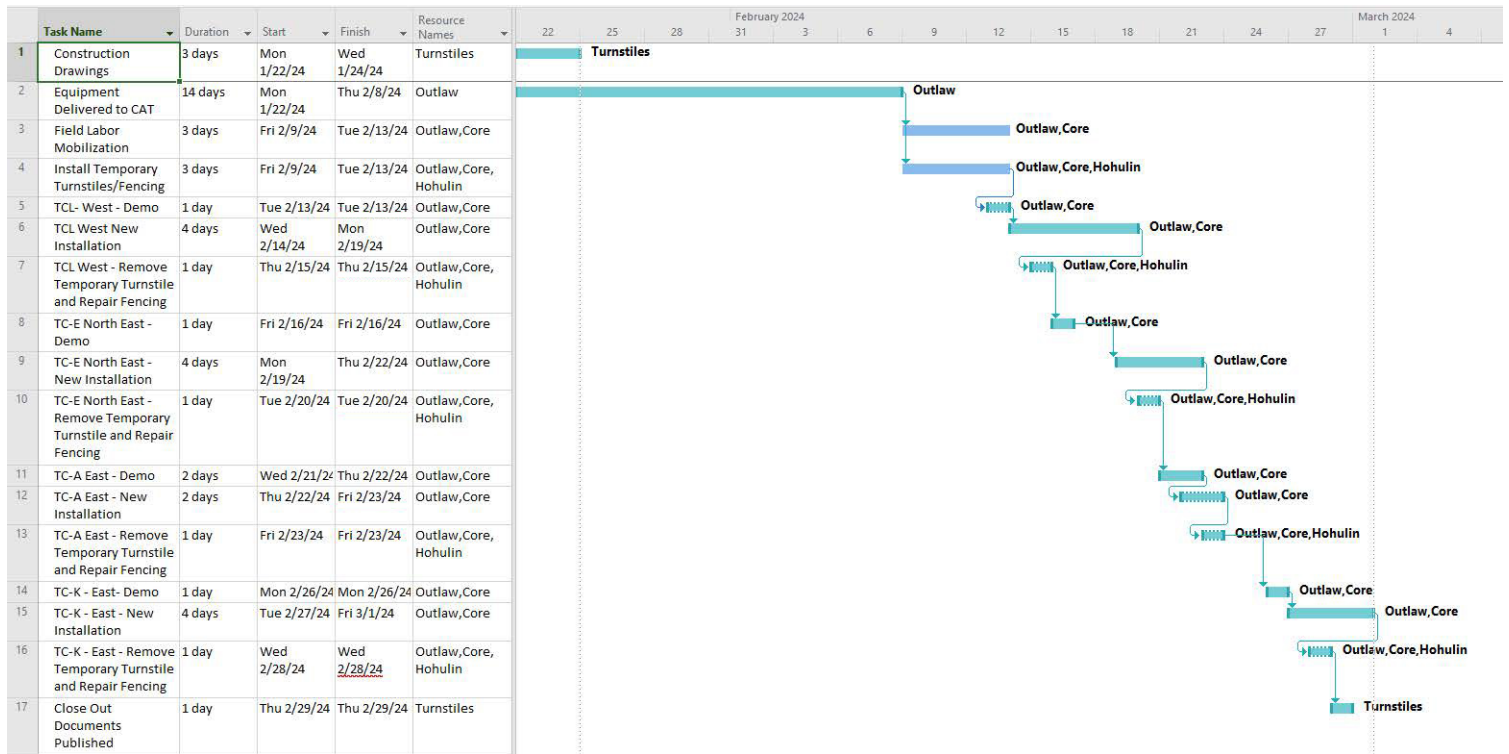


### TC-K EAST

- (1) Full Height Turnstile with Polycarbonate Panels
- (1) ADA Door with Glass and Panic Bar
- (1) Single Turnstile on Portable Base Rental
- (1) 15' x 15' Canopy

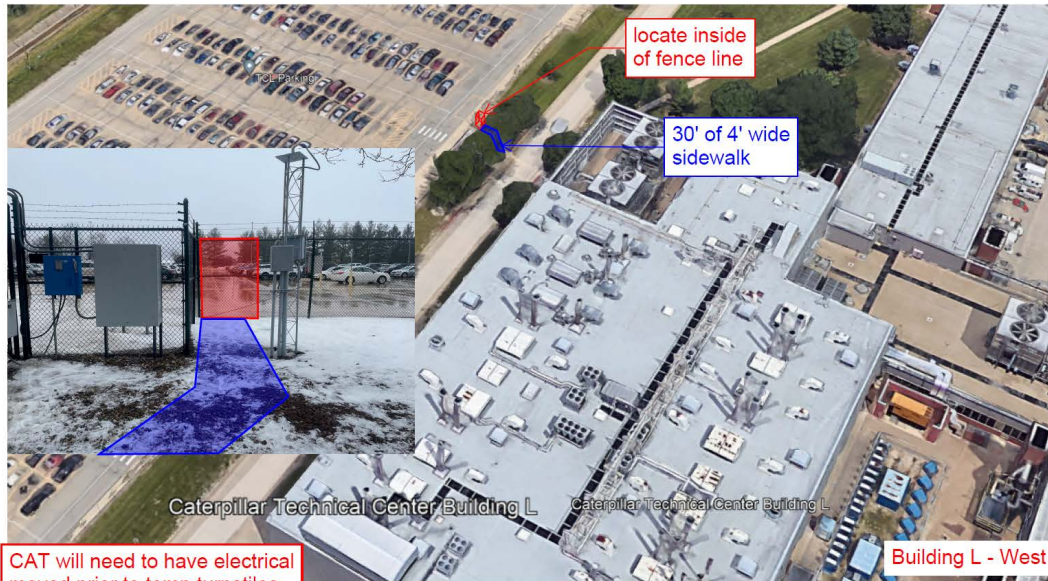


# Timeline

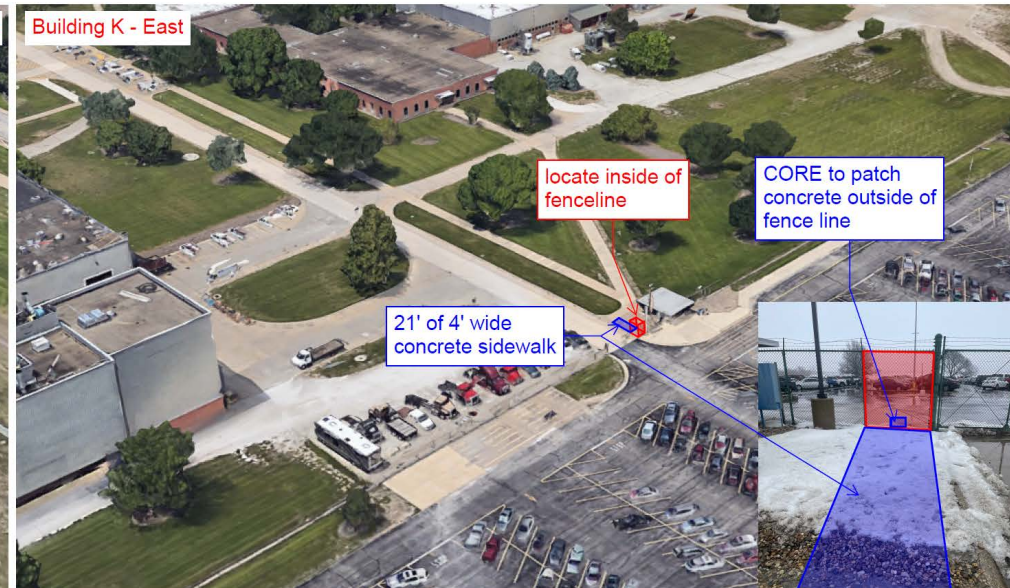
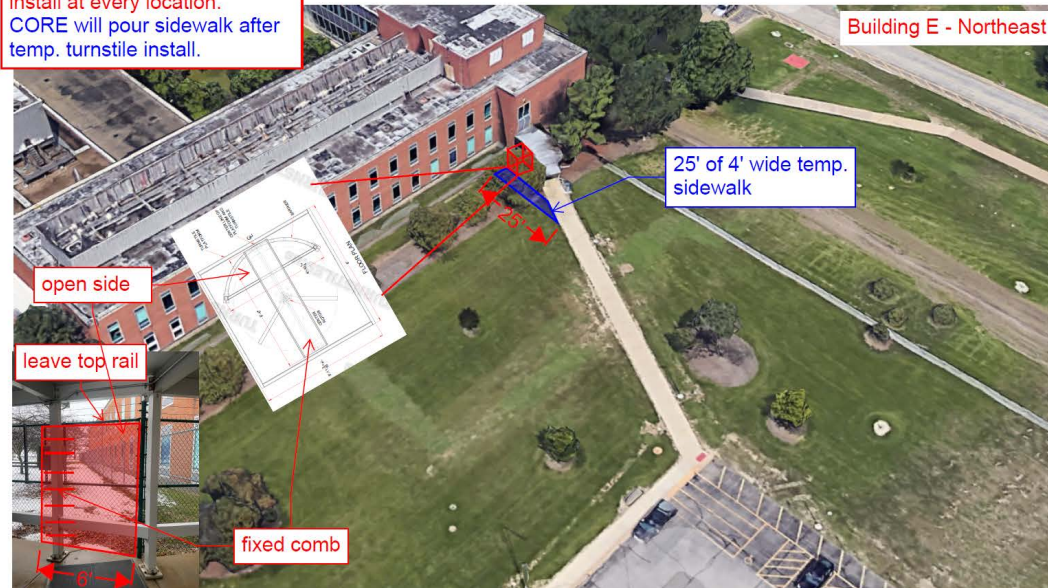
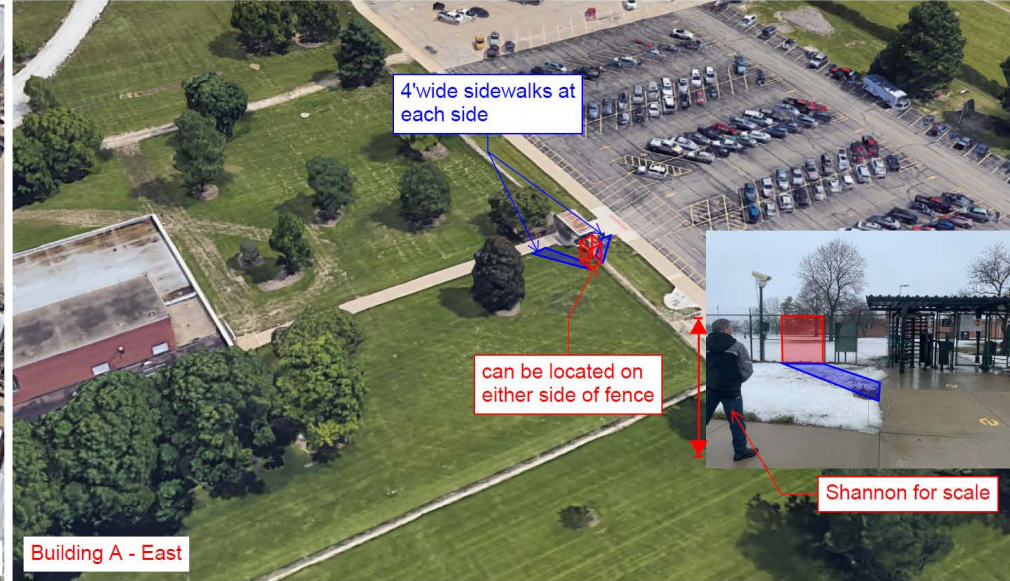


# Temporary Turnstiles

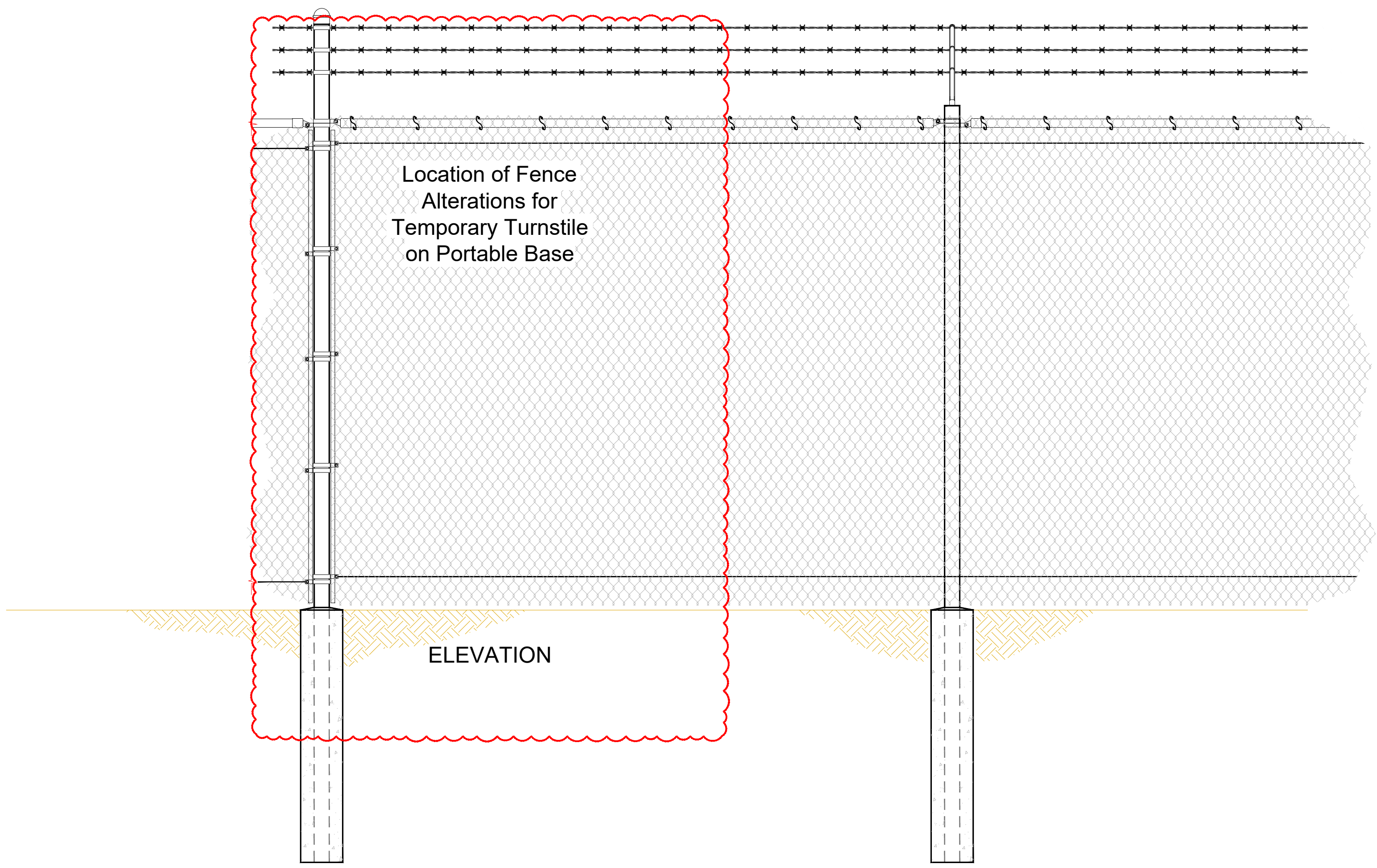
# Temporary Turnstile Locations



CAT will need to have electrical moved prior to temp turnstiles install at every location.  
CORE will pour sidewalk after temp. turnstile install.



# STEP 1



FIRST DRAWN	BY
10-26-23	CJC
REVISED	BY

**COPYRIGHT © TURNSTILES.US**  
 Copyright © Turnstiles.us All rights reserved. Reproduction or translation of this work without the express written permission of TURNSTILES.US is unlawful and is an infringement of intellectual property belonging to TURNSTILES.US.  
 All drawings and/or designs are restricted for use exclusively with a purchase, installation, and/or support from Turnstiles.us. Any other use of these materials is a violation of copyright law. Request for additional information should be addressed to the Legal Department, Turnstiles.us.

**TURNSTILES.US**  
 www.TURNSTILES.us  
 Call 303 670 1099 \* Text 303 918 9787  
 patrick.mcallister@turnstiles.us

Equipment Details	
Caterpillar Technical Center - Fencing Alterations to accommodate Turnstiles on Portable Bases for Temporary Access Control during Redevelopment of Existing Access Control Points	
DWG	CATERPILLAR Mossville, IL FENCE REFIT FOR TEMP ACCESS CONTROL
11-09-23	
SHEET - 1 OF 4	

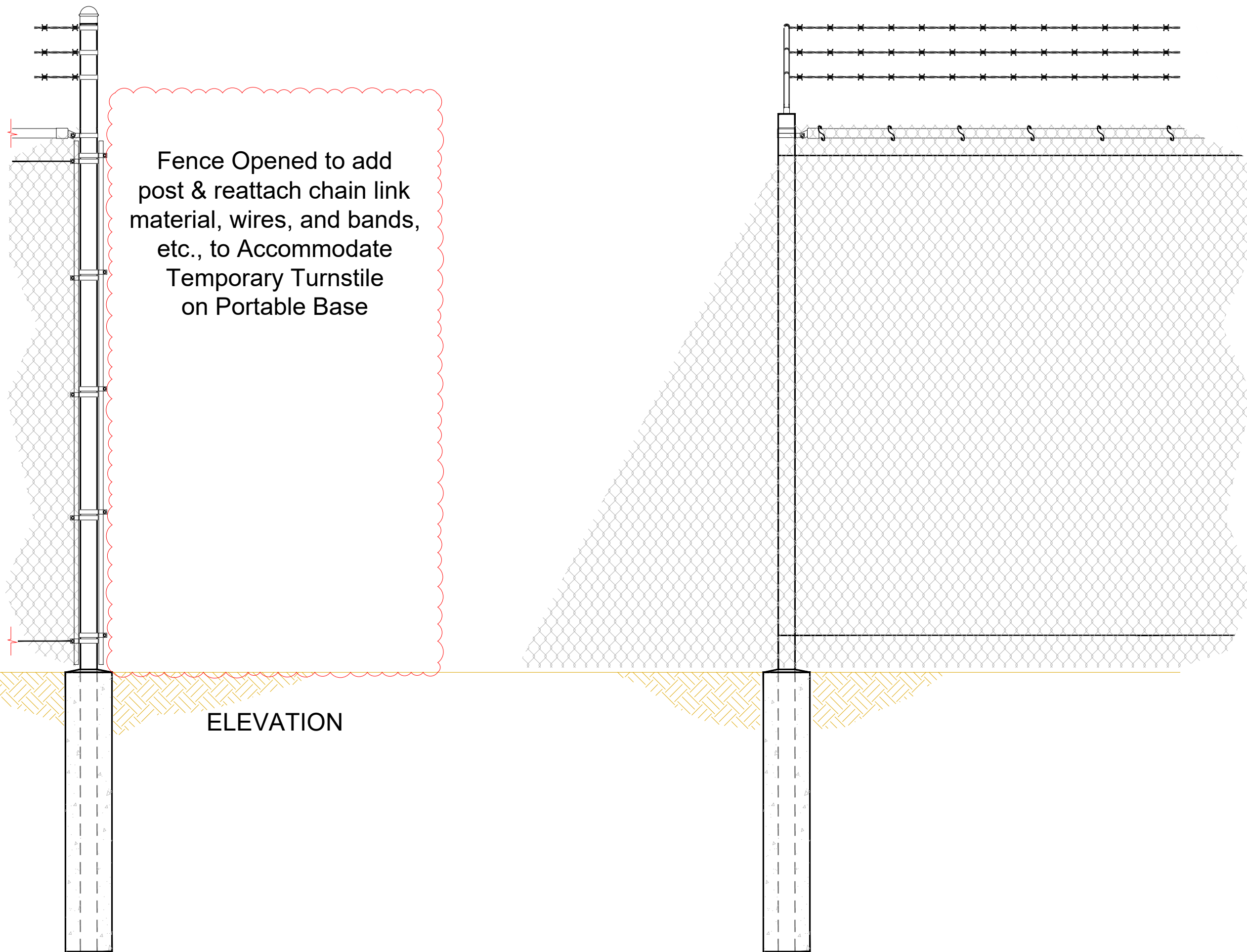
# STEP 2

FIRST DRAWN	BY
10-26-23	CJC
REVISED	BY

**COPYRIGHT © TURNSTILES.US**  
 Copyright © Turnstiles.us All rights reserved. Reproduction or translation of this work without the express written permission of TURNSTILES.US is unlawful and is an infringement of intellectual property belonging to TURNSTILES.US.  
 All drawings and/or designs are restricted for use exclusively with a purchase, installation, and/or support from Turnstiles.us. Any other use of these materials is a violation of copyright law. Request for additional information should be addressed to the Legal Department, Turnstiles.us.

**TURNSTILES.US**  
 www.TURNSTILES.us  
 Call 303 670 1099 \* Text 303 918 9787  
 patrick.mcallister@turnstiles.us

Equipment Details	
Caterpillar Technical Center - Fencing Alterations to accommodate Turnstiles on Portable Bases for Temporary Access Control during Redevelopment of Existing Access Control Points	
DWG	CATERPILLAR Mossville, IL FENCE REFIT FOR TEMP ACCESS CONTROL
11-09-23	
SHEET - 2 OF 4	



1

2

3

4

D

D

C

C

B

B

A

A

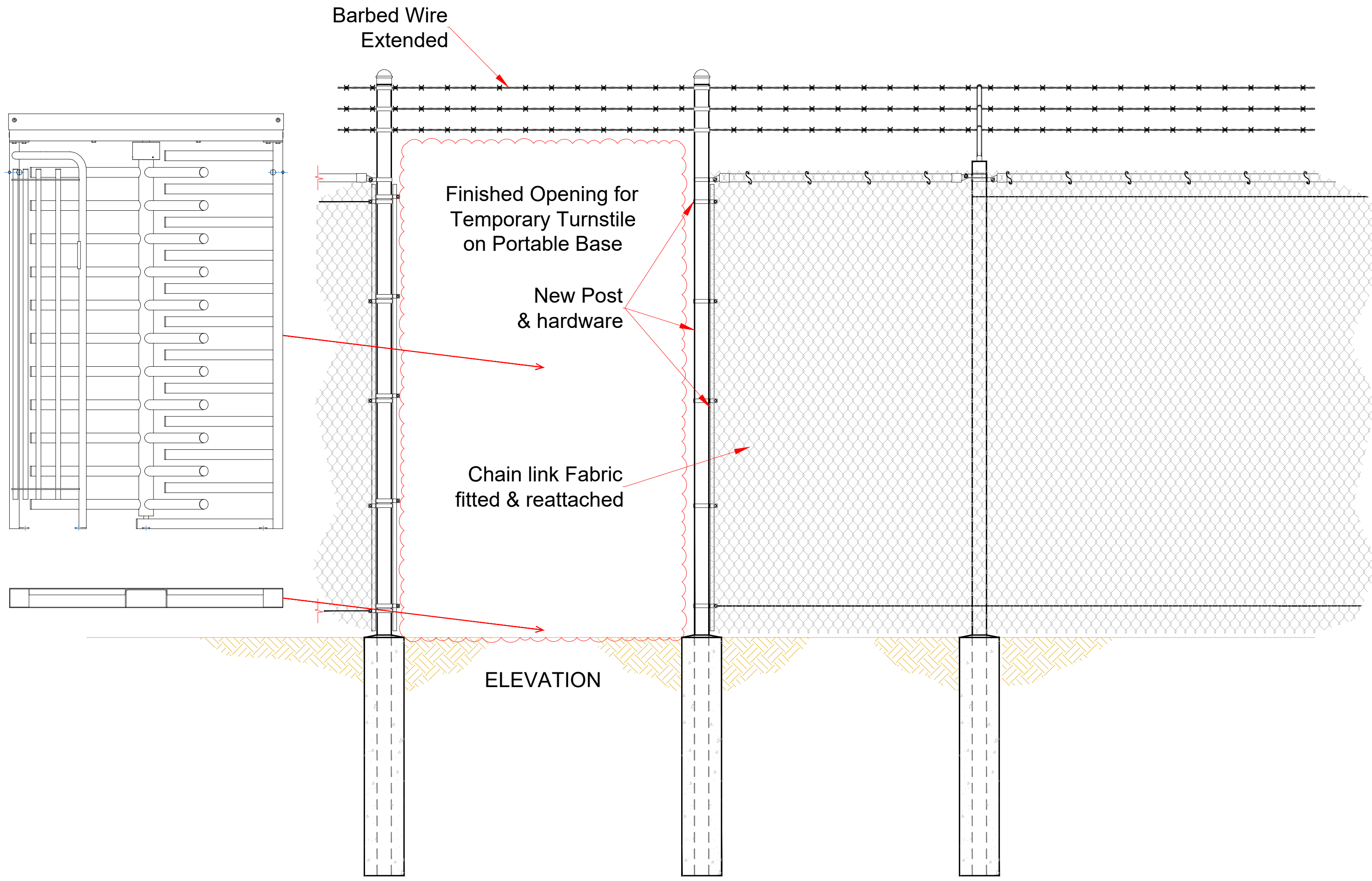
1

2

3

4

# STEP 3



FIRST DRAWN	BY
10-26-23	CJC
REVISED	BY

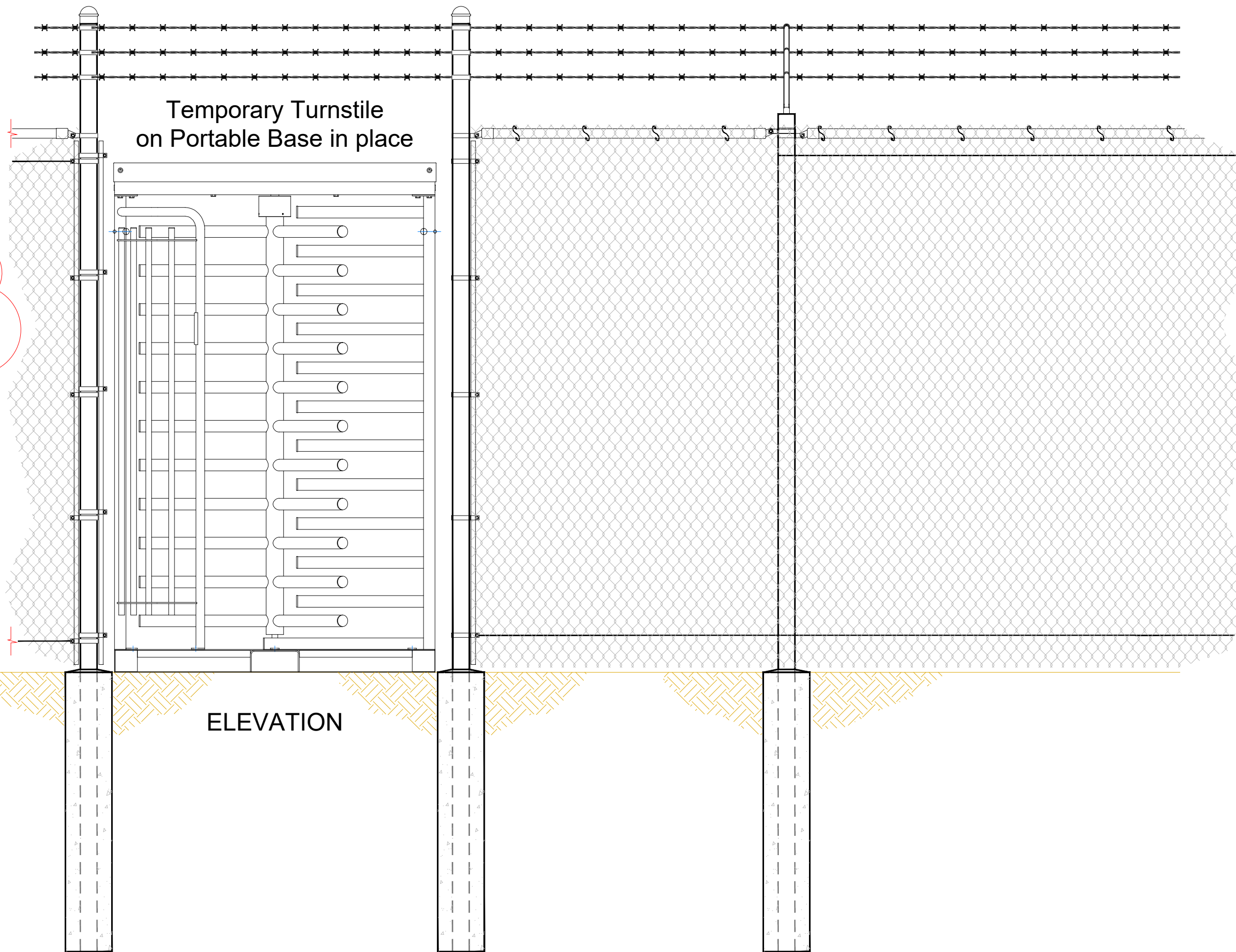
**COPYRIGHT © TURNSTILES.US**  
 Copyright © Turnstiles.us All rights reserved. Reproduction or translation of this work without the express written permission of TURNSTILES.US is unlawful and is an infringement of intellectual property belonging to TURNSTILES.US.  
 All drawings and/or designs are restricted for use exclusively with a purchase, installation, and/or support from Turnstiles.us. Any other use of these materials is a violation of copyright law. Request for additional information should be addressed to the Legal Department, Turnstiles.us.

**TURNSTILES.US**  
 www.TURNSTILES.us  
 Call 303 670 1099 \* Text 303 918 9787  
 patrick.mcallister@turnstiles.us

Equipment Details	
Caterpillar Technical Center - Fencing Alterations to accommodate Turnstiles on Portable Bases for Temporary Access Control during Redevelopment of Existing Access Control Points	
DWG	CATERPILLAR Mossville, IL FENCE REFIT FOR TEMP ACCESS CONTROL
11-09-23	
SHEET - 3 OF 4	



# STEP 4



Fence heights and distance between the posts may vary from one location to the next. Illustrations are shown as example of the work intended to be carried out in order to replace the existing covered entrances with New Canopies, Turnstiles, and Gates, etc.

\* Required 110V Electrical by licensed Electrician  
Access Control / Low voltage by Turnstile Installation Professional

FIRST DRAWN	BY
10-26-23	CJC
REVISED	BY

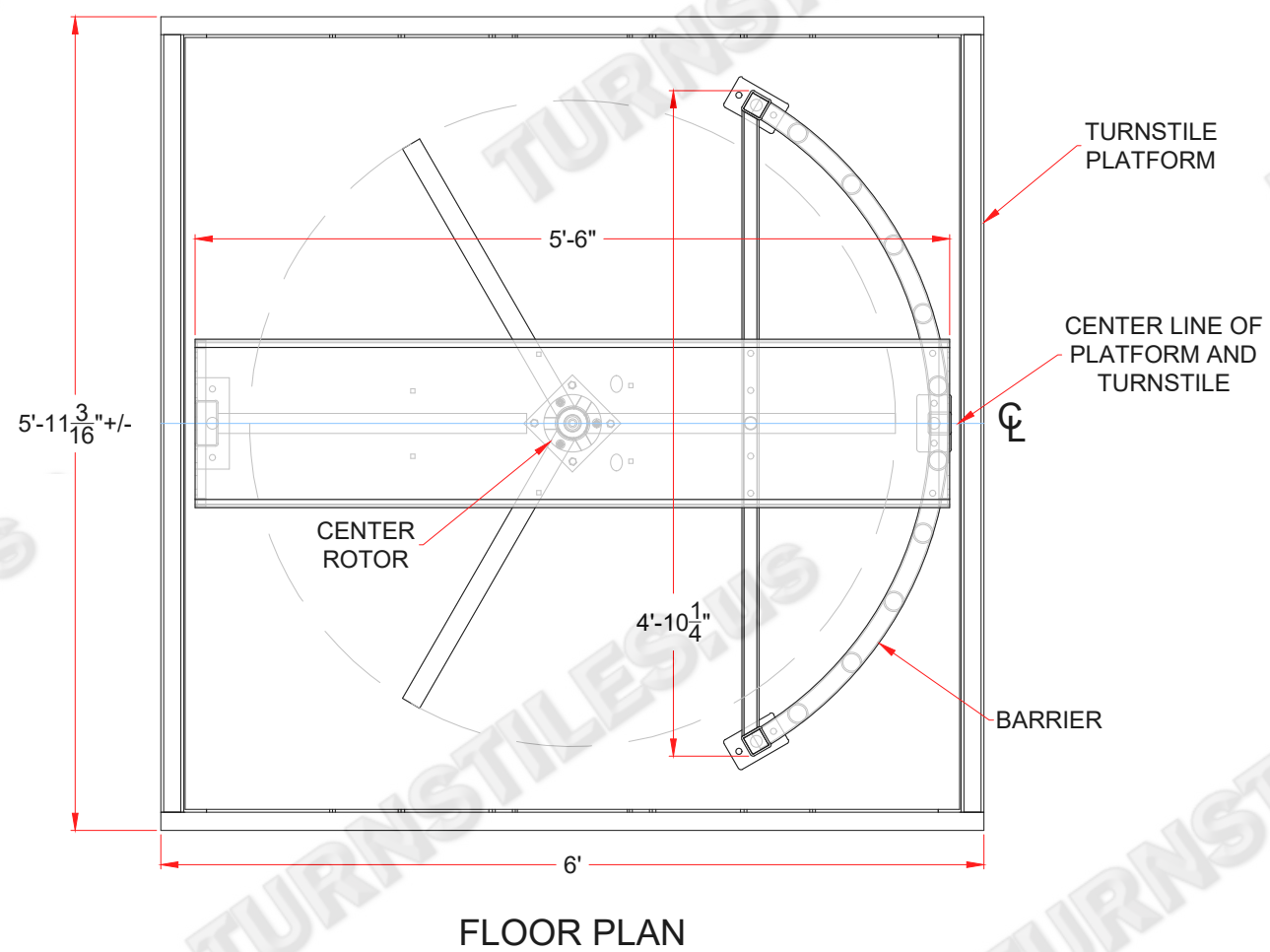
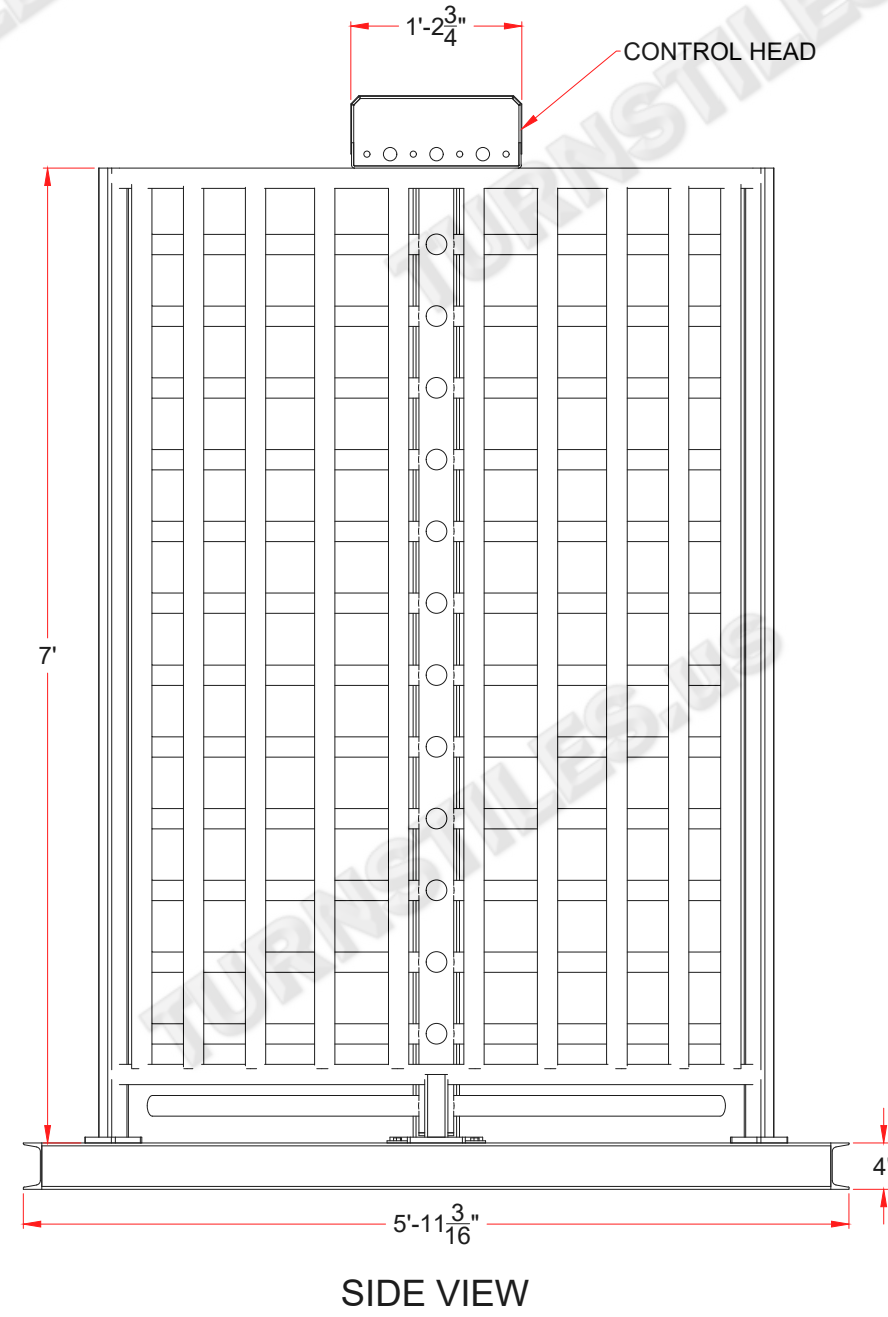
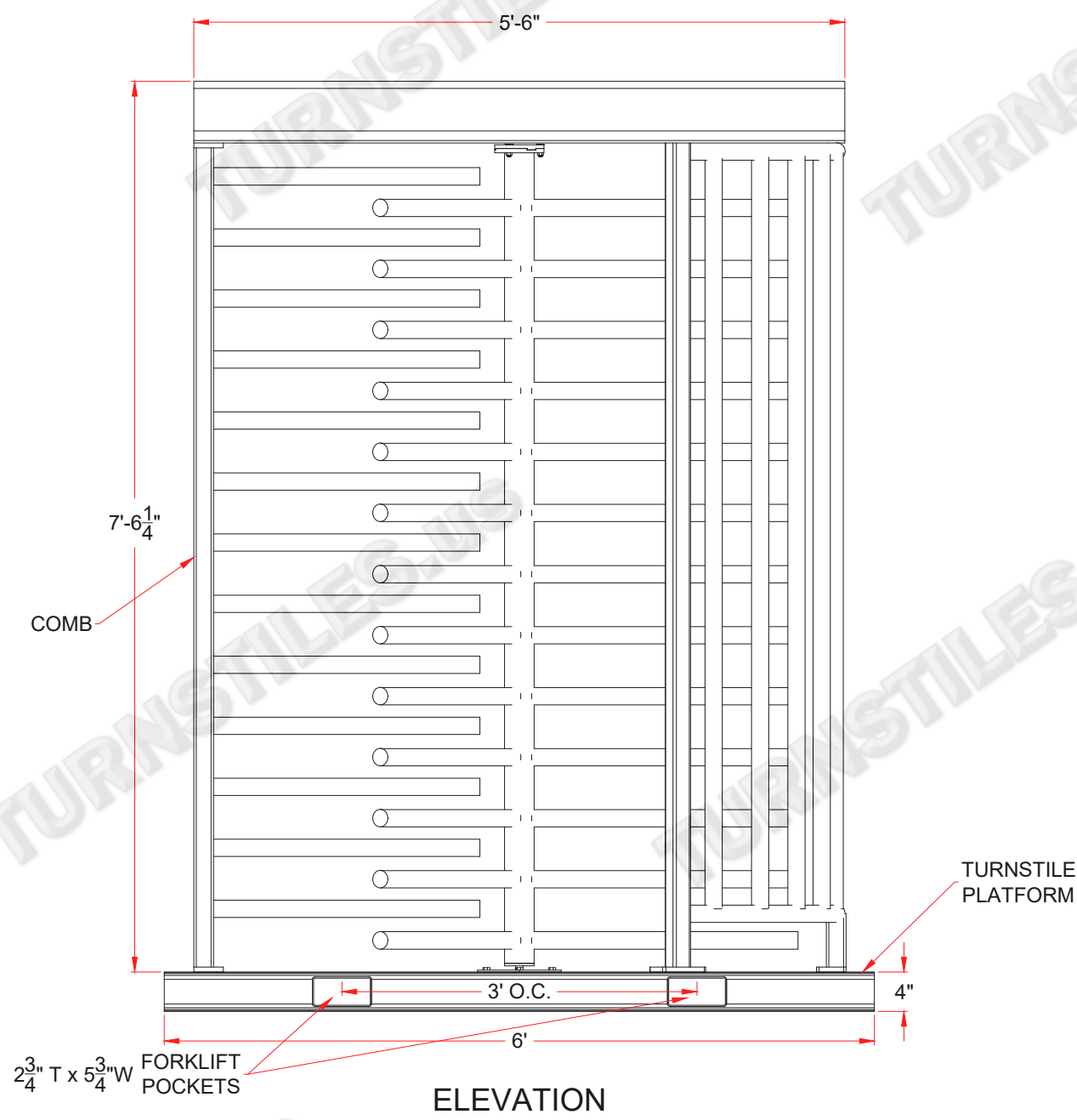
**COPYRIGHT © TURNSTILES.US**  
 Copyright © Turnstiles.us All rights reserved. Reproduction or translation of this work without the express written permission of TURNSTILES.US is unlawful and is an infringement of intellectual property belonging to TURNSTILES.US.  
 All drawings and/or designs are restricted for use exclusively with a purchase, installation, and/or support from Turnstiles.us. Any other use of these materials is a violation of copyright law. Request for additional information should be addressed to the Legal Department, Turnstiles.us.

**TURNSTILES.US**  
 www.TURNSTILES.us  
 Call 303 670 1099 \* Text 303 918 9787  
 patrick.mcallister@turnstiles.us

Equipment Details	
Caterpillar Technical Center - Fencing Alterations to accommodate Turnstiles on Portable Bases for Temporary Access Control during Redevelopment of Existing Access Control Points	
DWG	CATERPILLAR Mossville, IL FENCE REFIT FOR TEMP ACCESS CONTROL
11-09-23	
SHEET - 4 OF 4	

# AG-30-T

\* DIMENSIONS MAY VARY IN ACTUAL INSTALLATION - FABRICATION CHANGES RESERVED \*



AUTHORIZED SIGNATURE: \_\_\_\_\_ DATE: \_\_\_ / \_\_\_ / \_\_\_

FIRST DRAWN	BY
04/09/21	CJC
REVISED	BY

**COPYRIGHT © TURNSTILES.US**  
 Copyright © Turnstiles.us All rights reserved. Reproduction or translation of this work without the express written permission of TURNSTILES.US is unlawful and is an infringement of intellectual property belonging to TURNSTILES.US.  
 All drawings and/or designs are restricted for use exclusively with a purchase, installation, and/or support from Turnstiles.us. Any other use of these materials is a violation of copyright law. Request for additional information should be addressed to the Legal Department, Turnstiles.us.

**TURNSTILES.US**  
 www.TURNSTILES.us  
 Call 303 670 1099 \* Text 303 918 9787  
 patrick.mcallister@turnstiles.us

Details & Dimensions	
Full Height Turnstiles on Portable Bases	
DWG	AG-30-T on Base Detail
DATE	04-09-21
SHEET - 1 OF 1	

**Portable Turnstiles**

**PRODUCTION ORDER**

Production begins after this completed form is submitted to:  
[wanita.savage@turnstiles.us](mailto:wanita.savage@turnstiles.us) and [patrick.mcallister@turnstiles.us](mailto:patrick.mcallister@turnstiles.us)

Please fill out an additional page for each different configuration desired. If multiple turnstiles are identical, please indicate the quantity.

Description: **Full Height Single Turnstile Portable**

Model #: **AG30-T-GV-2E-BASE**

Quantity:  4  of  4

Notes: **Galvanized  
 Portable Base  
 2-Way Electric**

Client: **Core Construction with  
 Caterpillar Tech Center Mossville, IL**  
 Proposal #: **2023-E56788**

\*Contact Name: **Shannon Popp**

\*Contact Phone: **309-648-8918**

\*Ship to: **CAT TC Campus Mossville, IL**

Signature: \_\_\_\_\_ Date: \_\_\_\_\_

- ✓ Approved as marked on the drawing
- ✓ Above contact information is correct

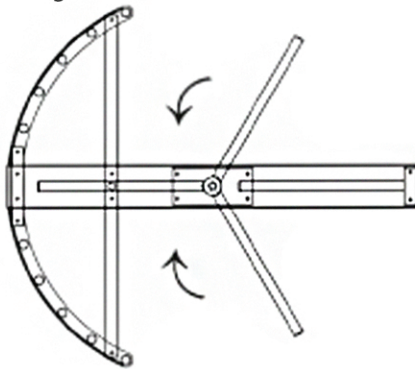
**TURNSTILE CONFIGURATION**

For manufacturing to properly build your order, please indicate the desired direction and rotation.  
 Please mark boxes and the drawing to indicate the desired settings.

- Free Passage: Manual
- No Passage
- Controlled Passage, Fail Open (Unlock on Power Loss)
- Controlled Passage, Fail Lock (Lock on Power Loss)

- Free Passage: Manual
- No Passage
- Controlled Passage, Fail Open
- Controlled Passage, Fail Lock

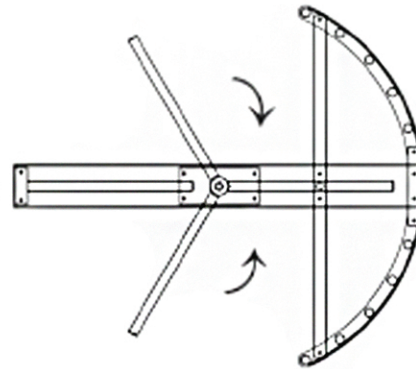
Card Reader Mounting Plate



Card Reader Mounting Plate

OR

Card Reader Mounting Plate



Card Reader Mounting Plate

**Unsecure Side (outside)**

- Free Passage: Manual
- No Passage
- Controlled Passage, Fail Open
- Controlled Passage, Fail Lock

- Free Passage: Manual
- No Passage
- Controlled Passage, Fail Open
- Controlled Passage, Fail Lock

**Portable Turnstiles**

**PRODUCTION ORDER**

Production begins after this completed form is submitted to:  
[wanita.savage@turnstiles.us](mailto:wanita.savage@turnstiles.us) and [patrick.mcallister@turnstiles.us](mailto:patrick.mcallister@turnstiles.us)

Please fill out an additional page for each different configuration desired. If multiple turnstiles are identical, please indicate the quantity.

Description: **Full Height Single Turnstile Portable**

Model #: **AG30-T-GV-2E-BASE**

Quantity:  4  of  4

Notes: **Galvanized  
 Portable Base  
 2-Way Electric**

Client: **Core Construction with  
 Caterpillar Tech Center Mossville, IL**  
 Proposal #: **2023-E56788**

\*Contact Name: **Shannon Popp**

\*Contact Phone: **309-648-8918**

\*Ship to: **CAT TC Campus Mossville, IL**

Signature: \_\_\_\_\_ Date: \_\_\_\_\_

- ✓ Approved as marked on the drawing
- ✓ Above contact information is correct

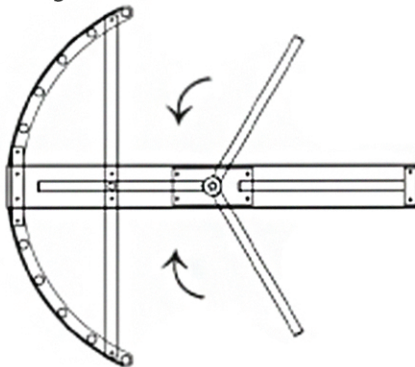
**TURNSTILE CONFIGURATION**

For manufacturing to properly build your order, please indicate the desired direction and rotation.  
 Please mark boxes and the drawing to indicate the desired settings.

- Free Passage: Manual
- No Passage
- Controlled Passage, Fail Open (Unlock on Power Loss)
- Controlled Passage, Fail Lock (Lock on Power Loss)

- Free Passage: Manual
- No Passage
- Controlled Passage, Fail Open
- Controlled Passage, Fail Lock

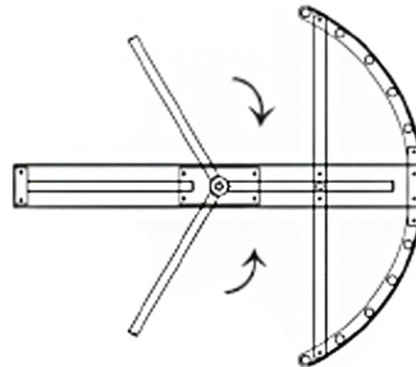
Card Reader Mounting Plate



Card Reader Mounting Plate

OR

Card Reader Mounting Plate



Card Reader Mounting Plate

**Unsecure Side (outside)**

- Free Passage: Manual
- No Passage
- Controlled Passage, Fail Open
- Controlled Passage, Fail Lock

- Free Passage: Manual
- No Passage
- Controlled Passage, Fail Open
- Controlled Passage, Fail Lock

# TC-A East

## TC-A East



### TC-A EAST

- (1) Full Height Turnstile with Polycarbonate Panels
- (1) ADA Door with Glass and Panic Bar
- (1) Single Turnstile on Portable Base Rental
- (1) 15' x 15' Canopy



TC-A  
 Turnstile

**PRODUCTION ORDER**

Production begins after this completed form is submitted to:  
[wanita.savage@turnstiles.us](mailto:wanita.savage@turnstiles.us) and [patrick.mcallister@turnstiles.us](mailto:patrick.mcallister@turnstiles.us)



Please fill out an additional page for each different configuration desired. If multiple turnstiles are identical, please indicate the quantity.

Description: **Full Height Lexan Single Turnstile**

Model #: **AG30-T-LX-SS-2E**

Quantity:   1   of   1   (in TC-A)

Notes: **Stainless Steel  
 2-Way Electric  
 Lexan Sides  
 Tempered Glass Wings  
 Pushbar / Grab Bar**

Client: **Core Construction with  
 Caterpillar Tech Center Mossville, IL**  
 Proposal #: **2023-E56788**

\*Contact Name: **Shannon Popp**

\*Contact Phone: **309-648-8918**

\*Ship to: **CAT TC Campus Mossville, IL**

Signature: \_\_\_\_\_ Date: \_\_\_\_\_

- ✓ Approved as marked on the drawing
- ✓ Above contact information is correct

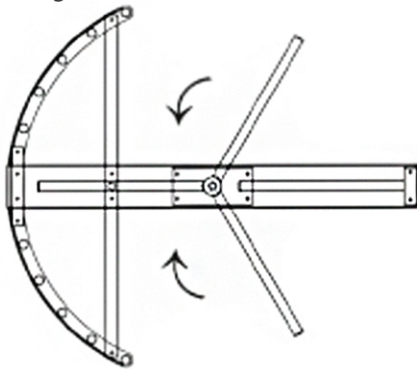
**TURNSTILE CONFIGURATION**

For manufacturing to properly build your order, please indicate the desired direction and rotation.  
 Please mark boxes and the drawing to indicate the desired settings.

- Free Passage: Manual
- No Passage
- Controlled Passage, Fail Open (Unlock on Power Loss)
- Controlled Passage, Fail Lock (Lock on Power Loss)

- Free Passage: Manual
- No Passage
- Controlled Passage, Fail Open
- Controlled Passage, Fail Lock

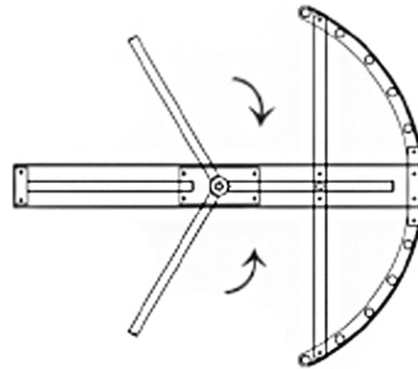
Card Reader Mounting Plate



Card Reader Mounting Plate

OR

Card Reader Mounting Plate



Card Reader Mounting Plate

**Unsecure Side (outside)**

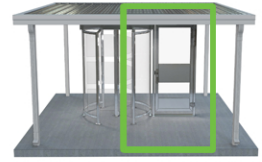
- Free Passage: Manual
- No Passage
- Controlled Passage, Fail Open
- Controlled Passage, Fail Lock

- Free Passage: Manual
- No Passage
- Controlled Passage, Fail Open
- Controlled Passage, Fail Lock

TC-A  
 Gate

**SWING GATE PRODUCTION ORDER**

Production begins after this completed form is submitted to:  
[wanita.savage@turnstiles.us](mailto:wanita.savage@turnstiles.us) and [patrick.mcallister@turnstiles.us](mailto:patrick.mcallister@turnstiles.us)



Please fill out an additional page for each different configuration desired. If multiple turnstiles are identical, please indicate the quantity.

Description: Full Height ADA Gate

Model #: AG36-ADA-SS-S

Quantity: 1 of 1

Notes: Stainless Steel  
 Polycarbonate Infill  
 36" Passage Width  
 Strike and Pushbar for ADA Gate

Client: Core Construction with  
 Caterpillar Tech Center Mossville, IL  
 Proposal #: 2023-E56788

Contact Name: Shannon Popp

Contact Phone: 309-648-8918

Ship to: CAT TC Campus Mossville, IL

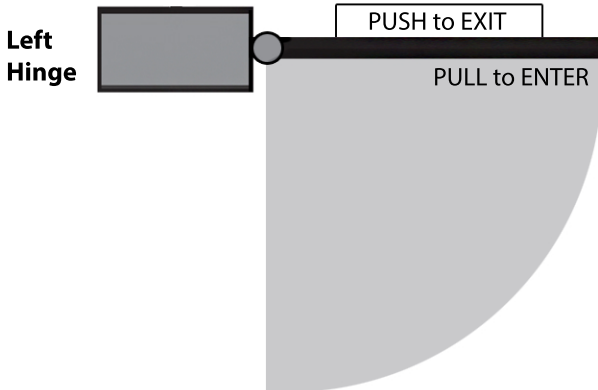
Signature: \_\_\_\_\_ Date: \_\_\_\_\_

- ✓ Approved as marked on the drawing
- ✓ Above contact information is correct

**GATE ORIENTATION**

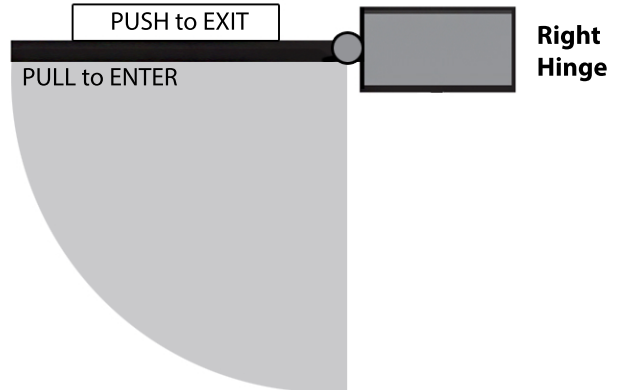
For manufacturing to properly build your order, please indicate desired gate **orientation** and **rotation**.  
 Please mark boxes and the drawing to indicate the appropriate layout and direction.

- Free Passage: Manual
- No Passage
- Controlled Passage, Fail Open (Unlock on Power Loss)
- Controlled Passage, Fail Lock (Lock on Power Loss)
- Card Reader Mounting Plate



OR

- Free Passage: Manual
- No Passage
- Controlled Passage, Fail Open
- Controlled Passage, Fail Lock
- Card Reader Mounting Plate



- Card Reader Mounting Plate
- Free Passage: Manual
- No Passage
- Controlled Passage, Fail Open
- Controlled Passage, Fail Lock

- Card Reader Mounting Plate
- Free Passage: Manual
- No Passage
- Controlled Passage, Fail Open
- Controlled Passage, Fail Lock

**TC-A  
 CANOPY**



**Basic Turnstile Canopy Style Sheet**



Get A Quote! Please complete and submit this form to TURNSTILES.us.

LEFT COLUMN IS FOR OFFICE USE, RIGHT COLUMN FOR CUSTOMER

MODEL: <u>BTC-15x15</u>	CUSTOMER: <u>Shannon Popp</u>
POST/FRAME FINISH: <u>GALV</u>	PROJECT: <u>CORE Construction with Caterpillar</u>
POWDER COAT COLOR: <u>GALV</u>	SHIP TO: <u>CAT TC Campus, Mossville, IL</u>
ROOFING COLOR: TRIM <u>GALV TOP</u>	CONTACT: <u>Shannon Popp</u>
COLOR: <u>SLATE GRAY</u>	PHONE: <u>309-648-8918</u>
QUANTITY: <u>OF</u>	DATE: <u>01-08-2024</u>
NOTES: <u>Lighting</u>	SIGNATURE: <u>[Signature]</u>



**Style Selection**

**1. SELECT SIZE**

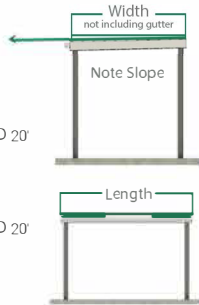
Standard sizes range from 8' to 12' wide and 8' to 24' long, sizes outside of these dimensions will be custom quoted.

**Width**

- 8'  9'  10'  11'  12'  13'  15'  16'  17'  18'  19'  20'  21'  22'  23'  24'  Custom

**Length**

- 8'  9'  10'  11'  12'  13'  15'  16'  17'  18'  19'  20'  21'  22'  23'  24'  Custom



**2. SELECT POST AND FRAME FINISH**



Galvanized posts and framing are recommended. If colored posts and roof grid are desired, we apply powder coating over galvanized. Powder coating the posts and frame will be an additional charge. Textured powder coatings will be more expensive.

GALVANIZED  
 POWDER COATED OVER GALVANIZED  
 CHOOSE COLOR: \_\_\_\_\_

**Powder Coating Colors**


**3. SELECT ROOFING COLOR**

Below shows the roofing panel on top of the framing. A colored top with a white underside comes standard with the Basic Turnstile Canopy.



**Roof Color**

- Galvalume  Regal White  Bone White  Surrey Beige  Sandstone  Almond  
 Buckskin  Ash Gray  Slate Gray  Charcoal  Matte Black  Medium Bronze  
 Dark Bronze  Patina Green  Evergreen  Mansard Brown  Colonial Red  
 Roman Blue  Patrician Bronze  Terra Cotta

**4. SELECT ROOF TRIM COLOR**

Below shows the roof trim in black. A colored trim comes standard with the Basic Turnstile Canopy.



**Roof Trim Color**

- Galvalume  Regal White  Bone White  Surrey Beige  Sandstone  Almond  
 Buckskin  Ash Gray  Slate Gray  Charcoal  Matte Black  Medium Bronze  
 Dark Bronze  Patina Green  Evergreen  Mansard Brown  Colonial Red  
 Roman Blue  Patrician Bronze  Terra Cotta

**Roofing and Roof Trim Colors**


**5. SELECT ACCESSORIES**

- 48" Industrial Vapor Tight Lighting  
 6000-Watt Infrared Heater  
 3000-Watt Infrared Heater



**6. CONFIRMATION**

I confirm that the above information is complete and correct. I understand this form will be submitted to manufacturing as written. We will use your selection to generate a quote for your review. Any changes requested after fabrication has begun may incur additional charges. Each product is fabricated to order and requires variable lead time. Illustrations and finishes displayed on the screen or printed out are representative only and may vary from the final appearance.

**7. MESSAGE/NOTES (Optional)**



# TC-K East

## TC-K East



### TC-K EAST

- (1) Full Height Turnstile with Polycarbonate Panels
- (1) ADA Door with Glass and Panic Bar
- (1) Single Turnstile on Portable Base Rental
- (1) 15' x 15' Canopy



TC-K  
 Turnstile

**PRODUCTION ORDER**

Production begins after this completed form is submitted to:  
[wanita.savage@turnstiles.us](mailto:wanita.savage@turnstiles.us) and [patrick.mcallister@turnstiles.us](mailto:patrick.mcallister@turnstiles.us)



Please fill out an additional page for each different configuration desired. If multiple turnstiles are identical, please indicate the quantity.

Description: **Full Height Lexan Single Turnstile**

Model #: **AG30-T-LX-SS-2E**

Quantity:   1   of   1   (in TC-K)

Notes: **Stainless Steel**  
**2-Way Electric**  
**Lexan Sides**  
**Tempered Glass Wings**  
**Pushbar / Grab Bar**

Client: **Core Construction with Caterpillar Tech Center Mossville, IL**  
 Proposal #: **2023-E56788**

\*Contact Name: **Shannon Popp**

\*Contact Phone: **309-648-8918**

\*Ship to: **CAT TC Campus Mossville, IL**

Signature: \_\_\_\_\_ Date: \_\_\_\_\_

- Approved as marked on the drawing
- Above contact information is correct

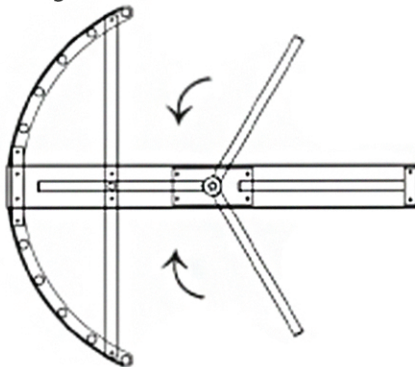
**TURNSTILE CONFIGURATION**

For manufacturing to properly build your order, please indicate the desired direction and rotation.  
 Please mark boxes and the drawing to indicate the desired settings.

- Free Passage: Manual
- No Passage
- Controlled Passage, Fail Open (Unlock on Power Loss)
- Controlled Passage, Fail Lock (Lock on Power Loss)

- Free Passage: Manual
- No Passage
- Controlled Passage, Fail Open
- Controlled Passage, Fail Lock

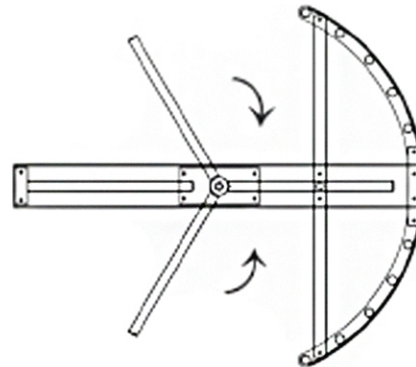
Card Reader Mounting Plate



Card Reader Mounting Plate

OR

Card Reader Mounting Plate



Card Reader Mounting Plate

**Unsecure Side (outside)**

- Free Passage: Manual
- No Passage
- Controlled Passage, Fail Open
- Controlled Passage, Fail Lock

- Free Passage: Manual
- No Passage
- Controlled Passage, Fail Open
- Controlled Passage, Fail Lock

TC-K  
 Gate

**SWING GATE PRODUCTION ORDER**

Production begins after this completed form is submitted to:  
[wanita.savage@turnstiles.us](mailto:wanita.savage@turnstiles.us) and [patrick.mcallister@turnstiles.us](mailto:patrick.mcallister@turnstiles.us)



Please fill out an additional page for each different configuration desired. If multiple turnstiles are identical, please indicate the quantity.

Description: Full Height ADA Gate

Model #: AG36-ADA-SS-S

Quantity: 1 of 1

Notes: Stainless Steel  
 Polycarbonate Infill  
 36" Passage Width  
 Strike and Pushbar for ADA Gate

Client: Core Construction with  
 Caterpillar Tech Center Mossville, IL  
 Proposal #: 2023-E56788

Contact Name: Shannon Popp

Contact Phone: 309-648-8918

Ship to: CAT TC Campus Mossville, IL

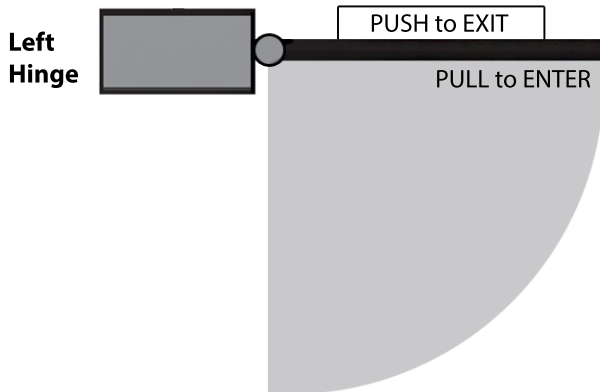
Signature: \_\_\_\_\_ Date: \_\_\_\_\_

- ✓ Approved as marked on the drawing
- ✓ Above contact information is correct

**GATE ORIENTATION**

For manufacturing to properly build your order, please indicate desired gate **orientation** and **rotation**.  
 Please mark boxes and the drawing to indicate the appropriate layout and direction.

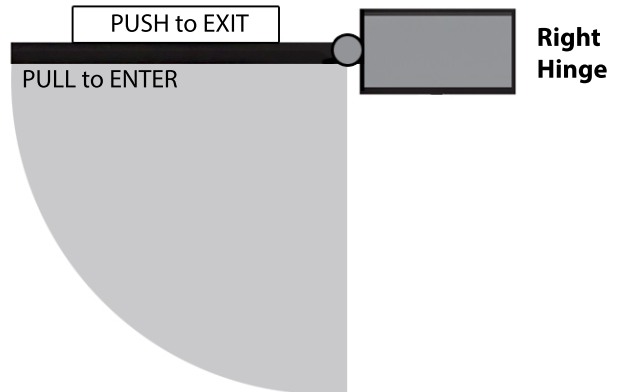
- Free Passage: Manual
- No Passage
- Controlled Passage, Fail Open (Unlock on Power Loss)
- Controlled Passage, Fail Lock (Lock on Power Loss)
- Card Reader Mounting Plate



- Card Reader Mounting Plate
- Free Passage: Manual
- No Passage
- Controlled Passage, Fail Open
- Controlled Passage, Fail Lock

OR

- Free Passage: Manual
- No Passage
- Controlled Passage, Fail Open
- Controlled Passage, Fail Lock
- Card Reader Mounting Plate



- Card Reader Mounting Plate
- Free Passage: Manual
- No Passage
- Controlled Passage, Fail Open
- Controlled Passage, Fail Lock

## T CANOPY



# Basic Turnstile Canopy Style Sheet



Get A Quote! Please complete and submit this form to TURNSTILES.us.

LEFT COLUMN IS FOR OFFICE USE, RIGHT COLUMN FOR CUSTOMER



MODEL: <input type="text" value="BTC-15x15"/>	CUSTOMER: <input type="text" value="Shannon Popp"/>
POST/FRAME FINISH: <input type="text" value="GALV"/>	PROJECT: <input type="text" value="CORE Construction with Caterpillar"/>
POWDER COAT COLOR: <input type="text" value="GALV"/>	SHIP TO: <input type="text" value="CAT TC Campus, Mossville, IL"/>
ROOFING COLOR: <input type="text" value="GALV TOP"/>	CONTACT: <input type="text" value="Shannon Popp"/>
TRIM COLOR: <input type="text" value="SLATE GRAY"/>	PHONE: <input type="text" value="309-648-8918"/>
QUANTITY: <input type="text" value="OF"/>	DATE: <input type="text" value="01-08-2024"/>
NOTES: <input type="text" value="Lighting"/>	SIGNATURE:

## Style Selection

### 1. SELECT SIZE

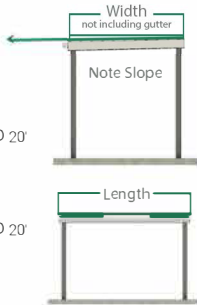
Standard sizes range from 8' to 12' wide and 8' to 24' long, sizes outside of these dimensions will be custom quoted.

#### Width

- 8' 
  9' 
  10' 
  11' 
  12' 
  13' 
  14' 
  15' 
  16' 
  17' 
  18' 
  19' 
  20' 
  21' 
  22' 
  23' 
  24' 
  Custom

#### Length

- 8' 
  9' 
  10' 
  11' 
  12' 
  13' 
  14' 
  15' 
  16' 
  17' 
  18' 
  19' 
  20' 
  21' 
  22' 
  23' 
  24' 
  Custom



### 2. SELECT POST AND FRAME FINISH



Galvanized posts and framing are recommended. If colored posts and roof grid are desired, we apply powder coating over galvanized. Powder coating the posts and frame will be an additional charge. Textured powder coatings will be more expensive.

GALVANIZED 
  POWDER COATED OVER GALVANIZED

CHOOSE COLOR:

#### Powder Coating Colors


### 3. SELECT ROOFING COLOR

Below shows the roofing panel on top of the framing. A colored top with a white underside comes standard with the Basic Turnstile Canopy.



#### Roof Color

- Galvalume 
  Regal White 
  Bone White 
  Surrey Beige 
  Sandstone 
  Almond 
  Buckskin 
  Ash Gray 
  Slate Gray 
  Charcoal 
  Matte Black 
  Medium Bronze 
  Dark Bronze 
  Patina Green 
  Evergreen 
  Mansard Brown 
  Colonial Red 
  Roman Blue 
  Patrician Bronze 
  Terra Cotta

### 4. SELECT ROOF TRIM COLOR

Below shows the roof trim in black. A colored trim comes standard with the Basic Turnstile Canopy.



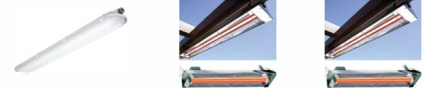
#### Roof Trim Color

- Galvalume 
  Regal White 
  Bone White 
  Surrey Beige 
  Sandstone 
  Almond 
  Buckskin 
  Ash Gray 
  Slate Gray 
  Charcoal 
  Matte Black 
  Medium Bronze 
  Dark Bronze 
  Patina Green 
  Evergreen 
  Mansard Brown 
  Colonial Red 
  Roman Blue 
  Patrician Bronze 
  Terra Cotta

#### Roofing and Roof Trim Colors


### 5. SELECT ACCESSORIES

- 48" Industrial Vapor Tight Lighting 
  6000-Watt Infrared Heater 
  3000-Watt Infrared Heater



### 6. CONFIRMATION

I confirm that the above information is complete and correct. I understand this form will be submitted to manufacturing as written. We will use your selection to generate a quote for your review. Any changes requested after fabrication has begun may incur additional charges. Each product is fabricated to order and requires variable lead time. Illustrations and finishes displayed on the screen or printed out are representative only and may vary from the final appearance.

### 7. MESSAGE/NOTES (Optional)

# TC-L West

## TC-L West



### TC-L WEST:

- (2) Full Height Turnstiles with Polycarbonate Panels
- (1) ADA Door with Glass and Panic Bar
- (1) Single Turnstile on Portable Base Rental
- (1) 18' x 25' Canopy
- (1) Custom 6'x6' Storage Room with Door



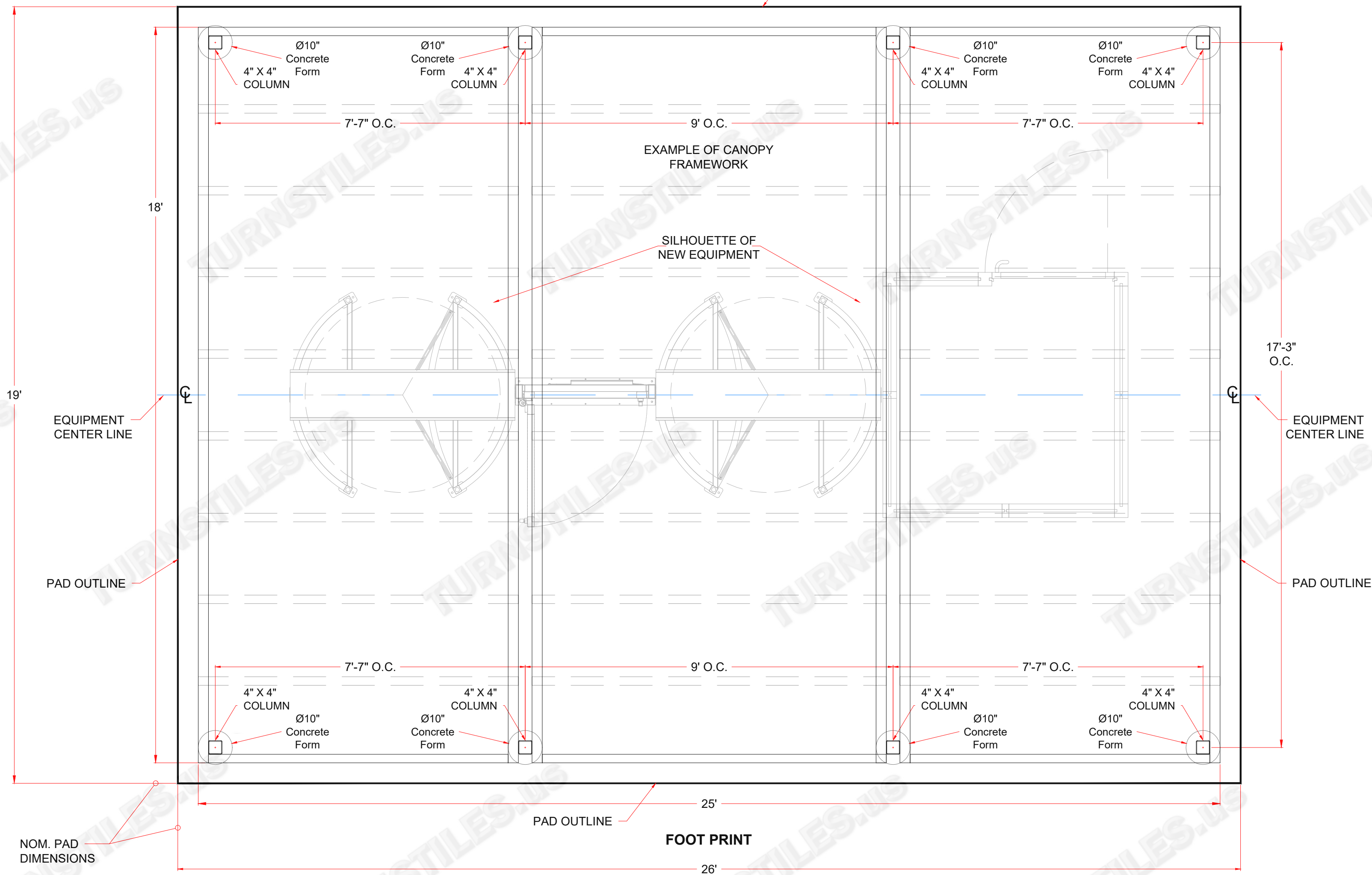
\* DIMENSIONS MAY VARY SLIGHTLY IN ACTUAL INSTALLATION - FABRICATION CHANGES OR EQUIPMENT SUBSTITUTIONS RESERVED \*

**NOTES:**

The dimensions provided are determined by the canopy type, size, and established construction methods and principles. Adjustments may be made according to client preferences or as needed to meet specific standards. Changes may also be made based on wind, rain, and snow load calculations in the respective county, city or state. Alternative construction methods and/or materials to ensure structural durability and stability are reserved.

# TC-L WEST

PAD OUTLINE



FIRST DRAWN	BY
08-15-23	CJC
REVISED	BY
COPYRIGHT © TURNSTILES.US Copyright © Turnstiles.us All rights reserved. Reproduction or translation of this work without the express written permission of TURNSTILES.US is unlawful and is an infringement of intellectual property belonging to TURNSTILES.US. All drawings and/or designs are restricted for use exclusively with a purchase, installation, and/or support from Turnstiles.us. Any other use of these materials is a violation of copyright law. Request for additional information should be addressed to the Legal Department, Turnstiles.us.	

**TURNSTILES.US**  
 www.TURNSTILES.US  
 Call 303 670 1099 \* Text 303 918 9787  
 patrick.mcallister@turnstiles.us

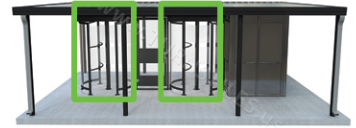
CANOPY PAD DETAIL	
Caterpillar Technical Center Mossville, IL - Shannon Popp Pad Detail for 18' x 25' Canopy over Access Control Equipment	
DWG	CATERPILLAR Mossville, IL - Shannon Popp CANOPY PAD DETAILS
DATE	08-15-23
SHEET - 3 OF 3	

AUTHORIZED SIGNATURE: \_\_\_\_\_ DATE: \_\_\_ / \_\_\_ / \_\_\_

TC-L  
 Turnstiles

**PRODUCTION ORDER**

Production begins after this completed form is submitted to:  
[wanita.savage@turnstiles.us](mailto:wanita.savage@turnstiles.us) and [patrick.mcallister@turnstiles.us](mailto:patrick.mcallister@turnstiles.us)



Please fill out an additional page for each different configuration desired. If multiple turnstiles are identical, please indicate the quantity.

Description: **Full Height Lexan Single Turnstile**

Model #: **AG30-T-LX-SS-2E**

Quantity:  2  of  2  (in TC-L)

Notes: **Stainless Steel  
 2-Way Electric  
 Lexan Sides  
 Tempered Glass Wings  
 Pushbar / Grab Bar**

Client: **Core Construction with  
 Caterpillar Tech Center Mossville, IL**  
 Proposal #: **2023-E56788**

\*Contact Name: **Shannon Popp**

\*Contact Phone: **309-648-8918**

\*Ship to: **CAT TC Campus Mossville, IL**

Signature: \_\_\_\_\_ Date: \_\_\_\_\_

- ✓ Approved as marked on the drawing
- ✓ Above contact information is correct

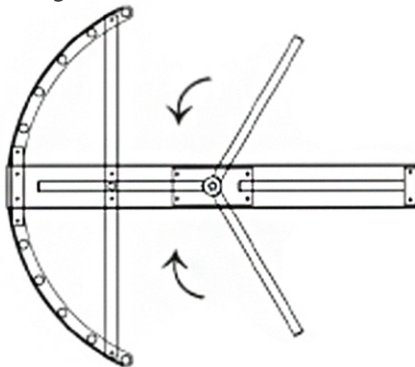
**TURNSTILE CONFIGURATION**

For manufacturing to properly build your order, please indicate the desired direction and rotation.  
 Please mark boxes and the drawing to indicate the desired settings.

- Free Passage: Manual
- No Passage
- Controlled Passage, Fail Open (Unlock on Power Loss)
- Controlled Passage, Fail Lock (Lock on Power Loss)

- Free Passage: Manual
- No Passage
- Controlled Passage, Fail Open
- Controlled Passage, Fail Lock

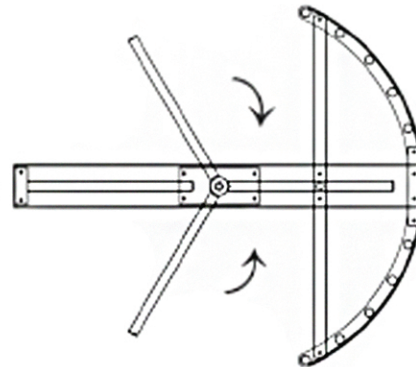
Card Reader Mounting Plate



Card Reader Mounting Plate

OR

Card Reader Mounting Plate



Card Reader Mounting Plate

**Unsecure Side (outside)**

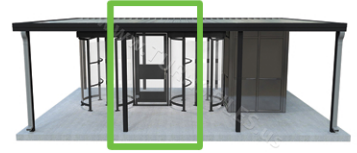
- Free Passage: Manual
- No Passage
- Controlled Passage, Fail Open
- Controlled Passage, Fail Lock

- Free Passage: Manual
- No Passage
- Controlled Passage, Fail Open
- Controlled Passage, Fail Lock

TC-L  
 Gate

**SWING GATE PRODUCTION ORDER**

Production begins after this completed form is submitted to:  
[wanita.savage@turnstiles.us](mailto:wanita.savage@turnstiles.us) and [patrick.mcallister@turnstiles.us](mailto:patrick.mcallister@turnstiles.us)



Please fill out an additional page for each different configuration desired. If multiple turnstiles are identical, please indicate the quantity.

Description: Full Height ADA Gate

Model #: AG36-ADA-SS-S

Quantity: 1 of 1

Notes: Stainless Steel  
 Polycarbonate Infill  
 36" Passage Width  
 Strike and Pushbar for ADA Gate

Client: Core Construction with  
 Caterpillar Tech Center Mossville, IL  
 Proposal #: 2023-E56788

Contact Name: Shannon Popp

Contact Phone: 309-648-8918

Ship to: CAT TC Campus Mossville, IL

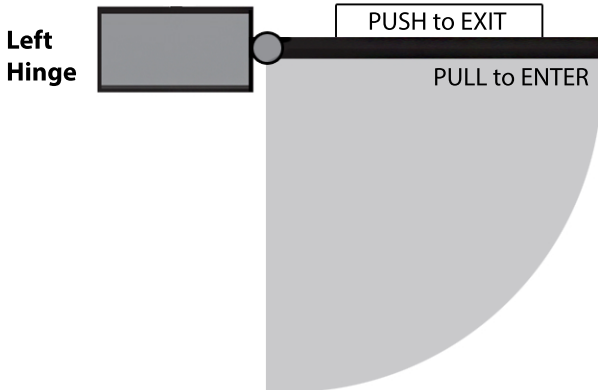
Signature: \_\_\_\_\_ Date: \_\_\_\_\_

- ✓ Approved as marked on the drawing
- ✓ Above contact information is correct

**GATE ORIENTATION**

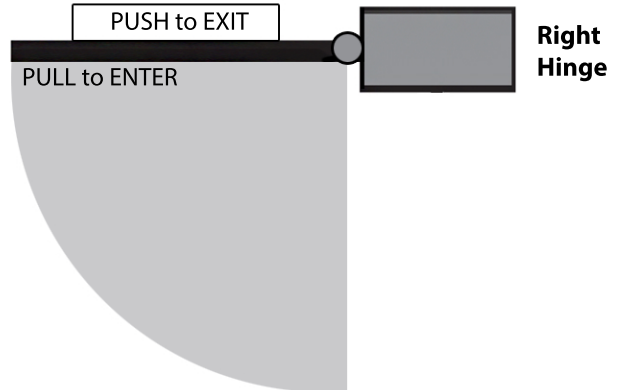
For manufacturing to properly build your order, please indicate desired gate **orientation** and **rotation**.  
 Please mark boxes and the drawing to indicate the appropriate layout and direction.

- Free Passage: Manual
- No Passage
- Controlled Passage, Fail Open (Unlock on Power Loss)
- Controlled Passage, Fail Lock (Lock on Power Loss)
- Card Reader Mounting Plate



OR

- Free Passage: Manual
- No Passage
- Controlled Passage, Fail Open
- Controlled Passage, Fail Lock
- Card Reader Mounting Plate



- Card Reader Mounting Plate
- Free Passage: Manual
- No Passage
- Controlled Passage, Fail Open
- Controlled Passage, Fail Lock

- Card Reader Mounting Plate
- Free Passage: Manual
- No Passage
- Controlled Passage, Fail Open
- Controlled Passage, Fail Lock



## TC-L CANOPY



# Basic Turnstile Canopy Style Sheet



Get A Quote! Please complete and submit this form to TURNSTILES.us.

LEFT COLUMN IS FOR OFFICE USE, RIGHT COLUMN FOR CUSTOMER



MODEL: <input type="text" value="BTC-18x25"/>	CUSTOMER: <input type="text" value="Shannon Popp"/>
POST/FRAME FINISH: <input type="text" value="GALV"/>	PROJECT: <input type="text" value="CORE Construction with Caterpillar"/>
POWDER COAT COLOR: <input type="text" value="GALV"/>	SHIP TO: <input type="text" value="CAT TC Campus, Mossville, IL"/>
ROOFING COLOR: <input type="text" value="GALV TOP"/>	CONTACT: <input type="text" value="Shannon Popp"/>
TRIM COLOR: <input type="text" value="SLATE GRAY"/>	PHONE: <input type="text" value="309-648-8918"/>
QUANTITY: <input type="text" value="OF"/>	DATE: <input type="text" value="01-08-2024"/>
NOTES: <input type="text" value="Lighting"/>	SIGNATURE: <input type="text" value="Shannon Popp"/>

## Style Selection

### 1. SELECT SIZE

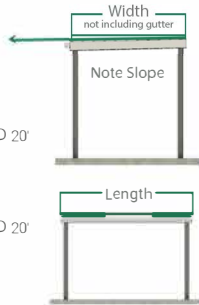
Standard sizes range from 8' to 12' wide and 8' to 24' long, sizes outside of these dimensions will be custom quoted.

#### Width

- 8' 
  9' 
  10' 
  11' 
  12' 
  13' 
  14' 
  15' 
  16' 
  17' 
  18' 
  19' 
  20' 
  21' 
  22' 
  23' 
  24' 
  Custom

#### Length

- 8' 
  9' 
  10' 
  11' 
  12' 
  13' 
  14' 
  15' 
  16' 
  17' 
  18' 
  19' 
  20' 
  21' 
  22' 
  23' 
  24' 
  Custom



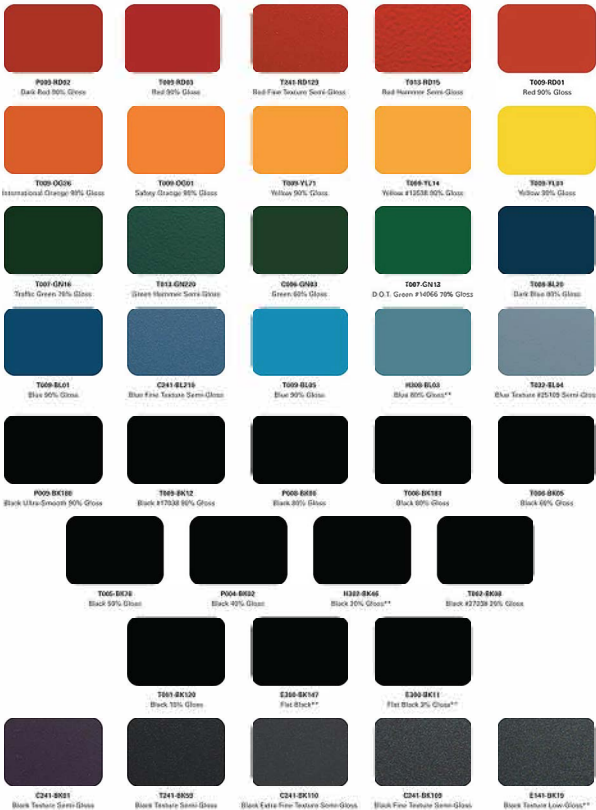
### 2. SELECT POST AND FRAME FINISH



Galvanized posts and framing are recommended. If colored posts and roof grid are desired, we apply powder coating over galvanized. Powder coating the posts and frame will be an additional charge. Textured powder coatings will be more expensive.

GALVANIZED 
  POWDER COATED OVER GALVANIZED 
 CHOOSE COLOR

#### Powder Coating Colors



### 3. SELECT ROOFING COLOR

Below shows the roofing panel on top of the framing. A colored top with a white underside comes standard with the Basic Turnstile Canopy.



#### Roof Color

- Galvalume 
  Regal White 
  Bone White 
  Surrey Beige 
  Sandstone 
  Almond 
  Buckskin 
  Ash Gray 
  Slate Gray 
  Charcoal 
  Matte Black 
  Medium Bronze 
  Dark Bronze 
  Patina Green 
  Evergreen 
  Mansard Brown 
  Colonial Red 
  Roman Blue 
  Patrician Bronze 
  Terra Cotta

### 4. SELECT ROOF TRIM COLOR

Below shows the roof trim in black. A colored trim comes standard with the Basic Turnstile Canopy.



#### Roof Trim Color

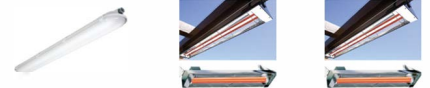
- Galvalume 
  Regal White 
  Bone White 
  Surrey Beige 
  Sandstone 
  Almond 
  Buckskin 
  Ash Gray 
  Slate Gray 
  Charcoal 
  Matte Black 
  Medium Bronze 
  Dark Bronze 
  Patina Green 
  Evergreen 
  Mansard Brown 
  Colonial Red 
  Roman Blue 
  Patrician Bronze 
  Terra Cotta

#### Roofing and Roof Trim Colors



### 5. SELECT ACCESSORIES

- 48" Industrial Vapor Tight Lighting 
  6000-Watt Infrared Heater 
  3000-Watt Infrared Heater



### 6. CONFIRMATION

I confirm that the above information is complete and correct. I understand this form will be submitted to manufacturing as written. We will use your selection to generate a quote for your review. Any changes requested after fabrication has begun may incur additional charges. Each product is fabricated to order and requires variable lead time. Illustrations and finishes displayed on the screen or printed out are representative only and may vary from the final appearance.

### 7. MESSAGE/NOTES (Optional)

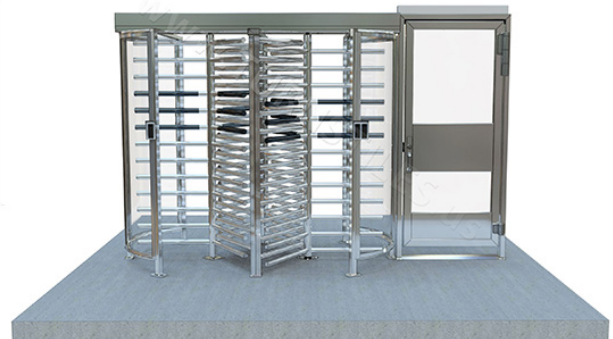
# TC-E North East

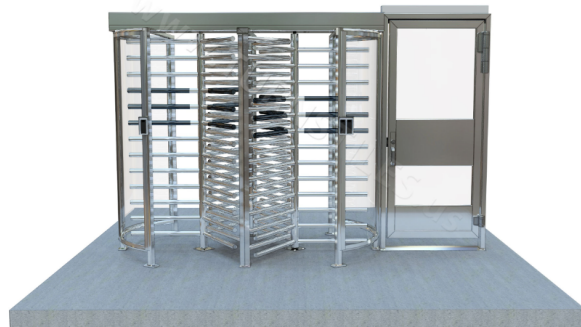
## TC-E North East



### TC-E NORTH EAST:

- (1) Tandem Full Height Turnstile with Lexan Shields
  - Stainless Steel
  - Protective Coating on 18 Hand-Level Arms
  - 4 Card Reader Mounting Plates (gate reader shares plate)
- (1) ADA Door with Lexan Infill
  - Motorized Opener
  - Sense Bar and Maglock
- (1) Single Turnstile on Portable Base Rental





# Product Data Sheets



## AG SERIES FULL HEIGHT SECURITY GATES

The AG Series Full Height ADA Gate is designed with security durability, and style in mind. Our gates can be configured with your choice of style, size, opening direction, lock, and finish. With tough-welded steel construction, security-grade infills, and an adjustable hydraulic self-closing hinge, our gates stand the test of time. A variety of access control accessories are also available. Made in the U.S.A.

### MODELS

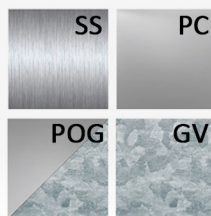
- AG-36-ADA 36" Passage Gate  
(SM, LX, VB) 41" W \* 4" D \* 91" H
- AG-48-ADA 48" Passage Gate  
(SM, LX, VB) 53" W \* 4" D \* 91" H
- CUSTOM Upon Request

### LOCKS

- DEADBOLT/PUSHBAR
- STRIKE/PUSHBAR
- MAGLOCK/PUSHBAR
- DOUBLE MAGLOCK/PUSHBAR

### FINISH

- (GV) GALVANIZED
- (PC) POWDER COATED
- (POG) PC OVER GV
- (SS) STAINLESS STEEL



### Powder Coated Colors



### STANDARD FEATURES

- Full-Height Security Gate
- ADA Compliant Passage Width
- Premium Self-Closing Hinges
- Standard Pushbar Exit
- Durable finish options to match your decor
- #9 Steel Mesh Infill, Lexan Infill, or Vertical Bars
- Corrosion-Resistant Finish and Hardware
- Mount to Concrete or Portable Base
- Lock Options:
  - Deadbolt: Mechanical, key and mortice with handle
  - Strike: Electric, lock with power supply, fail secure
  - Maglock: Electro-Magnetic, 1200lbs force, fail open
  - Double Maglock: Electro-Magnetic, 2400lbs, fail open

AG Series Styles:  
(SM) Steel Mesh Infill  
(LX) Lexan Infill  
(VB) Vertical Bars



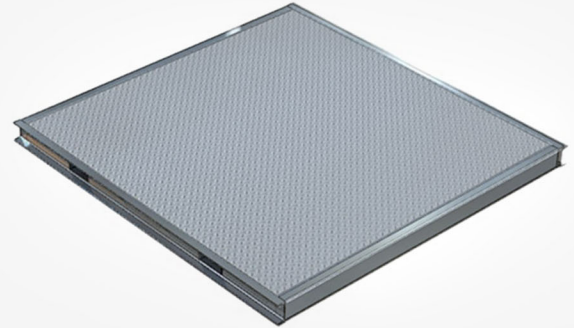
### OPTIONS

- DC Access Relay
- Power Supply and Box
- Battery Backup
- LED Accent Light
- Exit Paddle
- Spike Strip Side/Top
- Anti-Reach Barrier
- Mounting Plates
- Matching Turnstiles
- Matching Filler Barriers
- Portable Bases
- Turnstile Canopies
- Entrance Enclosures
- Access Control System
- Reader Integration





## PORTABLE TURNSTILE BASE PLATE



The Portable Turnstile Base Plate is an Industrial Strength Steel base plate for one or more turnstiles and gates. The base is made to order with pockets for portability by forklift. Pockets on the corners for lifting by crane are also available. This base plate allows you to easily relocate your secure access point whenever needed.

We can provide a turnstile on a portable base or provide the turnstile and the portable base separately. If separate, the turnstile will need to be installed onto the base on-site.



Bases are available for all of our turnstiles.

Portable base sizes:

- 72" x 72"** (6 x 6') for a 30" Passage Single Turnstile
- 90" x 90"** (7.5 x 7.5') for a 39" Passage Single Turnstile
- 108" x 96"** (9' x 8') for a 48" Passage Single Turnstile



Portable Turnstile Base Plates  
 with Full Height Single Turnstiles and ADA Gates



## AG-LX SERIES FULL HEIGHT TURNSTILES WITH LEXAN

AG-LX Series Turnstiles have a steel frame and a clear shield, providing high-security pedestrian access control with a more open appearance. Turnstiles may be controlled mechanically or electrically in one or both directions. Choose from several sizes and weather-resistant finishes. Various configurations and access control accessories are available to accommodate your security requirements.

### MODELS

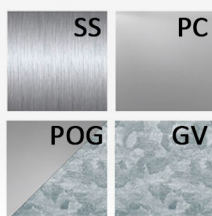
AG30-T-LX	30" Passage Single 66" W * 60" D * 90" H
AG30-TT-LX	30" Passage Tandem 102" W * 60" D * 90" H
AG36-ADA-LX	36" Passage ADA Gate 43" W * 4" D * 91" H

### CONTROLS

MECHANICAL  
ELECTRIC 1-WAY  
ELECTRIC 2-WAY

### FINISH

(GV) GALVANIZED  
(PC) POWDER COATED  
(POG) PC OVER GV  
(SS) STAINLESS STEEL



### Powder Coated Colors



### STANDARD FEATURES

- Full-Height Turnstiles
- Single or Tandem Passage
- Clear Lexan Shield
- Three-Vane Cylindrical Arms
- 304 or 316 Stainless Steel
- Reader Mounting Plates
- Bidirectional Key Override Set
- Modular Locking Mechanism (variable custom configurations)
- Corrosion-Resistant Finish and Hardware
- Steel Spline Shaft, Collar, Bearing Flange
- Extra Thick Mounting Brackets
- Made in America
- Electrical Specifications:  
Input voltage: 100-220 VAC  
Frequency: 50/60 Hz  
Operating Voltage: 30 VDC  
Operating Current: 0,2A



### OPTIONS

- Battery Backup
- Cold Weather Package
- Programmable Keypad
- LED Indicator Lights
- Directional Lights
- Heel Guards
- Hinged Header Lid
- Lockout Bar
- Matching ADA Gate
- Matching Filler Barrier
- Portable Base Plate
- Turnstile Canopy
- Entrance Enclosures
- Access Control System
- Reader Integration



**AG30-T-LX**  
**SINGLE FULL HEIGHT TURNSTILE**



**DESCRIPTION**

THE AG-30-TLX IS A STAINLESS-STEEL FULL HEIGHT TURNSTILE WITH A 30" PASSAGE, AND DUAL CAGES WITH POLYCARBONATE INFILL. THIS TURNSTILE HAS 2 ROTOR OPTIONS. THE STANDARD OPTION IS THE STAINLESS STEEL ROTOR WITH POLYCARBONATE WINGS, THE UPGRADED OPTION IS AN ALUMINUM ROTOR WITH TEMPERED GLASS WINGS. THE FUNCTION OF THE AG-30-TLX IS TO PROVIDE CONTROLLED ACCESS WHEN ENTERING OR EXITING A FACILITY WHERE PEDESTRIAN TRAFFIC IS PRESENT, AND ELEGANCE IS DESIRED. IT CAN ACHIEVE THIS BOTH MECHANICALLY (NO ACCESS CONTROL SYSTEM/SOFTWARE) SUCH AS A POOL GATE WHERE THE PASSAGE WOULD BE USED FOR ONLY EXITING AND NO ENTRY. OR ELECTRONICALLY (WITH AN ACCESS CONTROL SYSTEM, CARD READERS, FINGERPRINT READERS ETC.) FOR KEEPING TRACK OF WHO IS ON AND OFF SITE. IT IS MANUFACTURED WITH AMERICAN PRIDE RIGHT HERE IN THE USA.



**AG30-T-LX**  
**SINGLE FULL HEIGHT TURNSTILE**

**STANDARD FEATURES:**

- MODULAR LOCKING MECHANISM, CAN BE CONFIGURED FAIL SAFE OR FAIL SECURE AS WELL AS CLOCKWISE OR COUNTERCLOCKWISE. WITH A HYDRAULIC DAMPENER, SLOWS THE ROTOR DOWN, KEEPING MAINTENANCE DOWN
- KEY OVERRIDE, THE TURNSTILE CAN BE UNLOCKED MANUALLY BY KEY, IN EITHER DIRECTION FOR SERVICE OR TEMPORARY EVENTS WHERE LOCKING ISN'T REQUIRED.
- DURABLE GALVANIZED FINISH
- ALL STAINLESS-STEEL HARDWARE
- CARD READER MOUNTING BOXES INCLUDED
- INTERNAL WIRING CHASE FOR ACCESS CONTROL WIRING
- 30" PASSAGE

**ADDITIONAL OPTIONS:**

- A COUNTER FOR THE LOCKING MECHANISM
- COLD WEATHER PACKAGE
- HINGED LID
- PORTABLE BASE
- ELECTRONICALLY CONTROLLED BOTH DIRECTIONS
- CAN BE CONFIGURED FOR 110V

## AG30-T-LX

### SINGLE FULL HEIGHT TURNSTILE

#### LOCKING MECHANISM

- 100% MODULAR SYSTEM: EASY TO MAINTAIN, SERVICE, UPGRADE, EVEN AFTER INSTALLATION.
- AVAILABLE FOR 3-ARM (120°) AND 4-ARM (90°) TURNSTILE
- INTERCHANGEABLE LEFT/RIGHT MECHANICAL OR ELECTROMECHANICAL MODULES (FAIL OPEN OR FAIL CLOSE)
- AUTOMATIC RETURN TO STARTING POSITION (BY MEANS OF INDUSTRIAL PRESSURE SPRINGS) AFTER EVERY PASSAGE.
- ANTI-PASS BACK SECURITY (LOCKING AFTER A 60° OR 45° ROTATION): PREVENTS THE SIMULTANEOUS PASSING OF 2 PERSONS.
- VERY ROBUST IMPLEMENTATION AND STRONG CONNECTION WITH THE TURNSTILE BY A 1-3/8" DIAMETER SPLINE AXLE (LENGTH 8 1/2")
- MANUFACTURED COMPLETELY IN STAINLESS PARTS (STAINLESS STEEL AND ALUMINUM)
- DAMPING SYSTEM GUARANTEES SMOOTH AND GRADUAL MOVEMENTS. DAMPING IS CONTINUOUS AND UNAFFECTED BY TEMPERATURE CHANGES (PATENTED SYSTEM)
- POSSIBLE TO SET SIGNAL DURATION.

#### ELECTRICAL SPECIFICATIONS:

-INPUT VOLTAGE: 110 VAC  
-FREQUENCY: 60 HZ

-OPERATING VOLTAGE: 24 VDC  
-OPERATING CURRENT: 0.2A (16 AMPS @ 110V W/ COLD WEATHER PACKAGE)

#### MATERIALS USED:

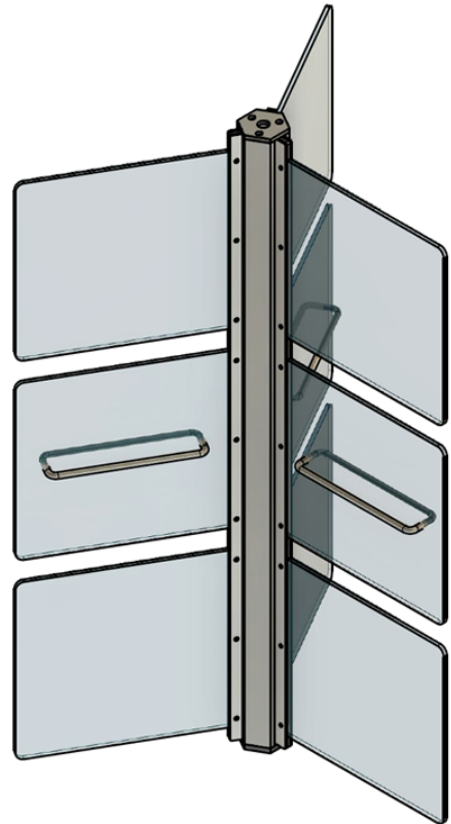
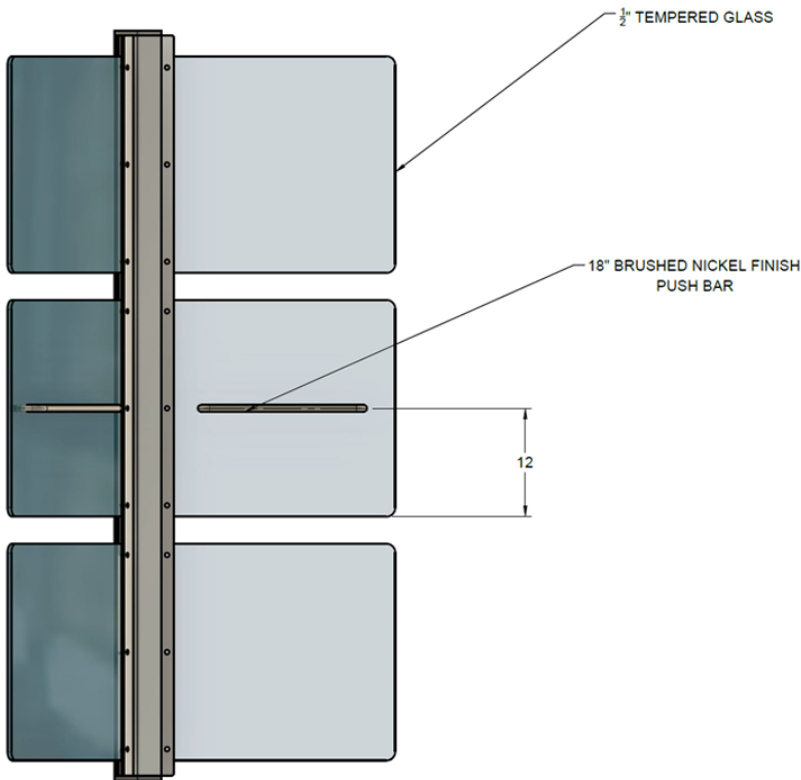
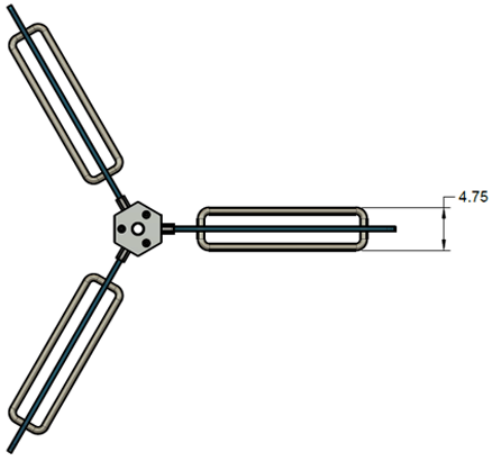
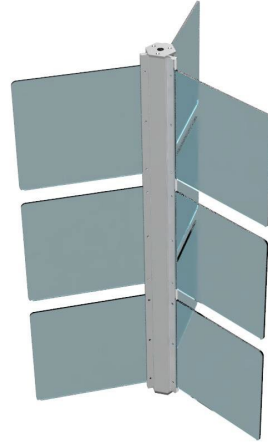
-1 3/4" 16 GAUGE ROUND TUBE  
-2" 14 GAUGE SQUARE TUBE  
-3" 11 GAUGE ROUND TUBE  
-2"x1 1/2" 14 GAUGE RECTANGULAR TUBE  
-3/16" FORMED SHEET METAL  
-1/2" PLATE  
-1/4" POLYCARBONATE  
-1/2" POLYCARBONATE  
-1/2" TEMPERED GLASS (IF UPGRADED AL ROTOR IS USED)  
- EXTRUDED ALUMINUM (IF UPGRADED AL ROTOR IS USED)

#### CONSTRUCTION:

- MANUFACTURED IN AMERICA  
- FULLY WELDED CONSTRUCTION (UPGRADED AL ROTOR IS NOT WELDED)  
- THE CAGE, AND HEADER ARE WELDED INTO ONE SOLID PIECE, ADDING RIGIDITY AND SECURITY  
-POLYCARBONATE WINGS ON THE ROTOR (TEMPERED GLASS IF UPGRADED AL ROTOR IS USED)  
-POLYCARBONATE PANELS MOUNTED TO CAGES WITH STAINLESS STEEL GLASS CLAMPS  
-1/2" THICK MOUNTING POINTS FOR ADDED SECURITY.  
-SPLINE SHAFT, COLLAR, BEARING, AND BOTTOM BEARING PLATE ARE CORROSION RESISTANT STAINLESS STEEL  
-ALL FASTENING HARDWARE STAINLESS-STEEL

**AG30-T-LX**  
**SINGLE FULL HEIGHT TURNSTILE**

UPGRADED ROTOR  
AND PUSH BAR HANDLE OPTION



1

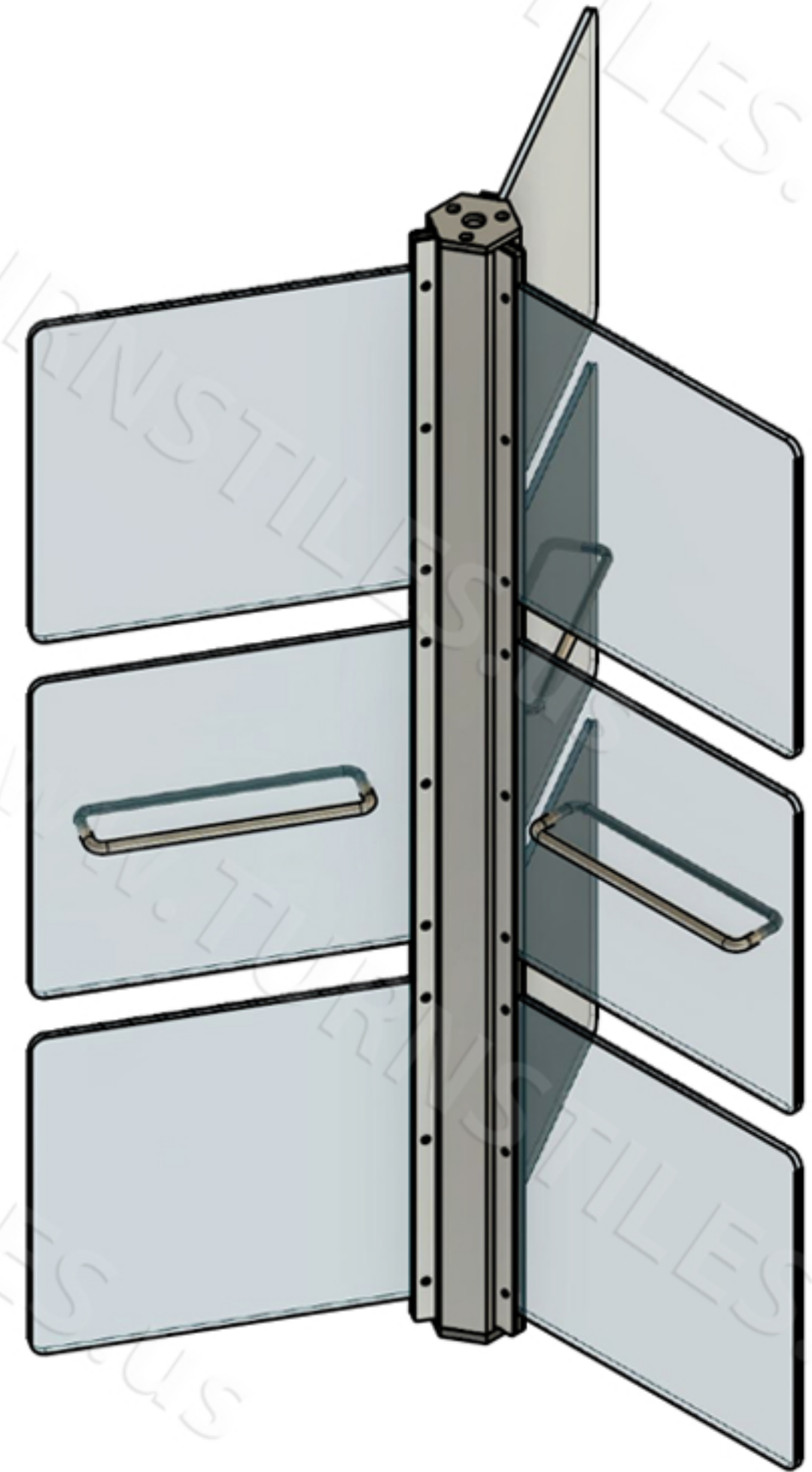
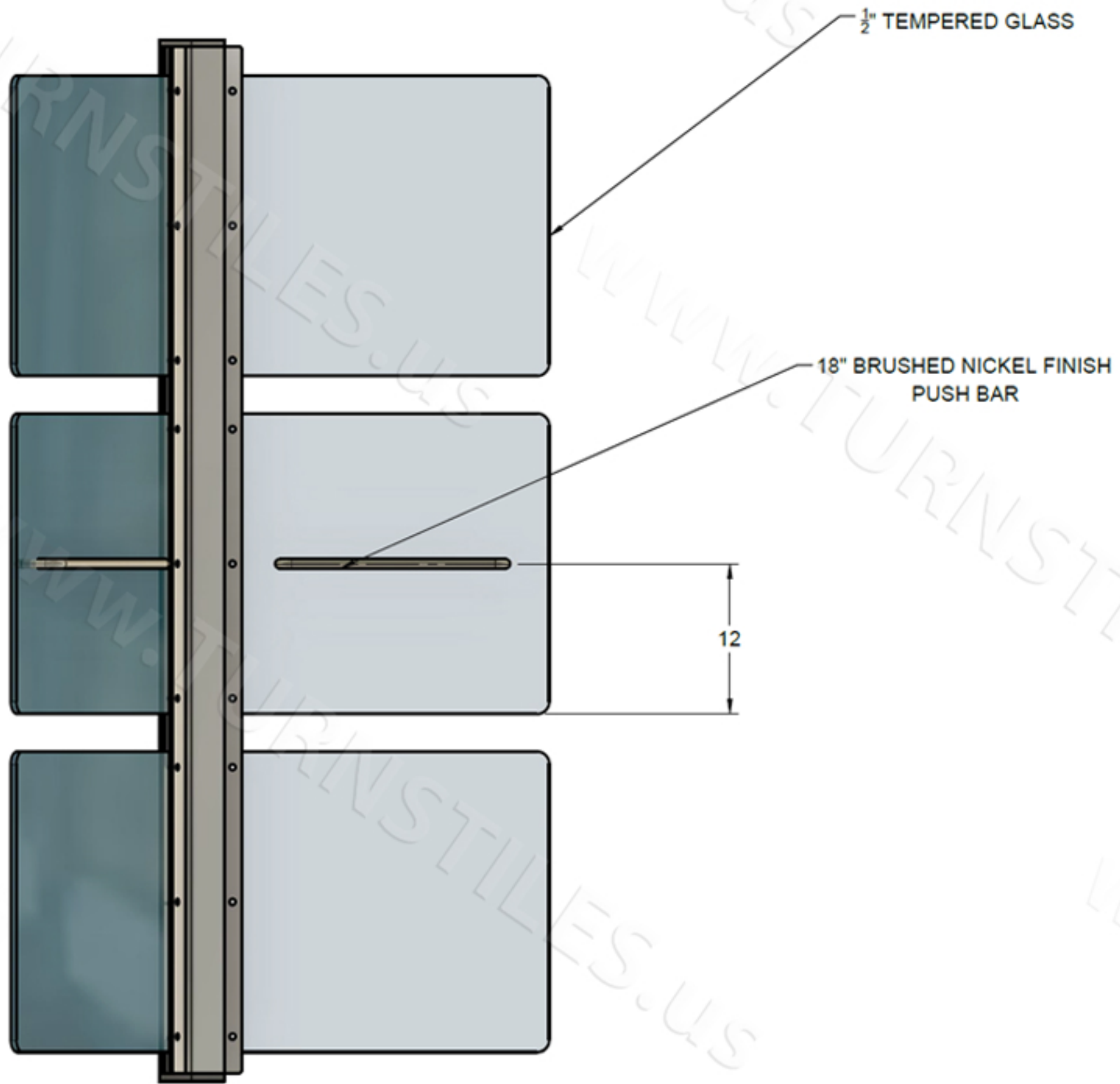
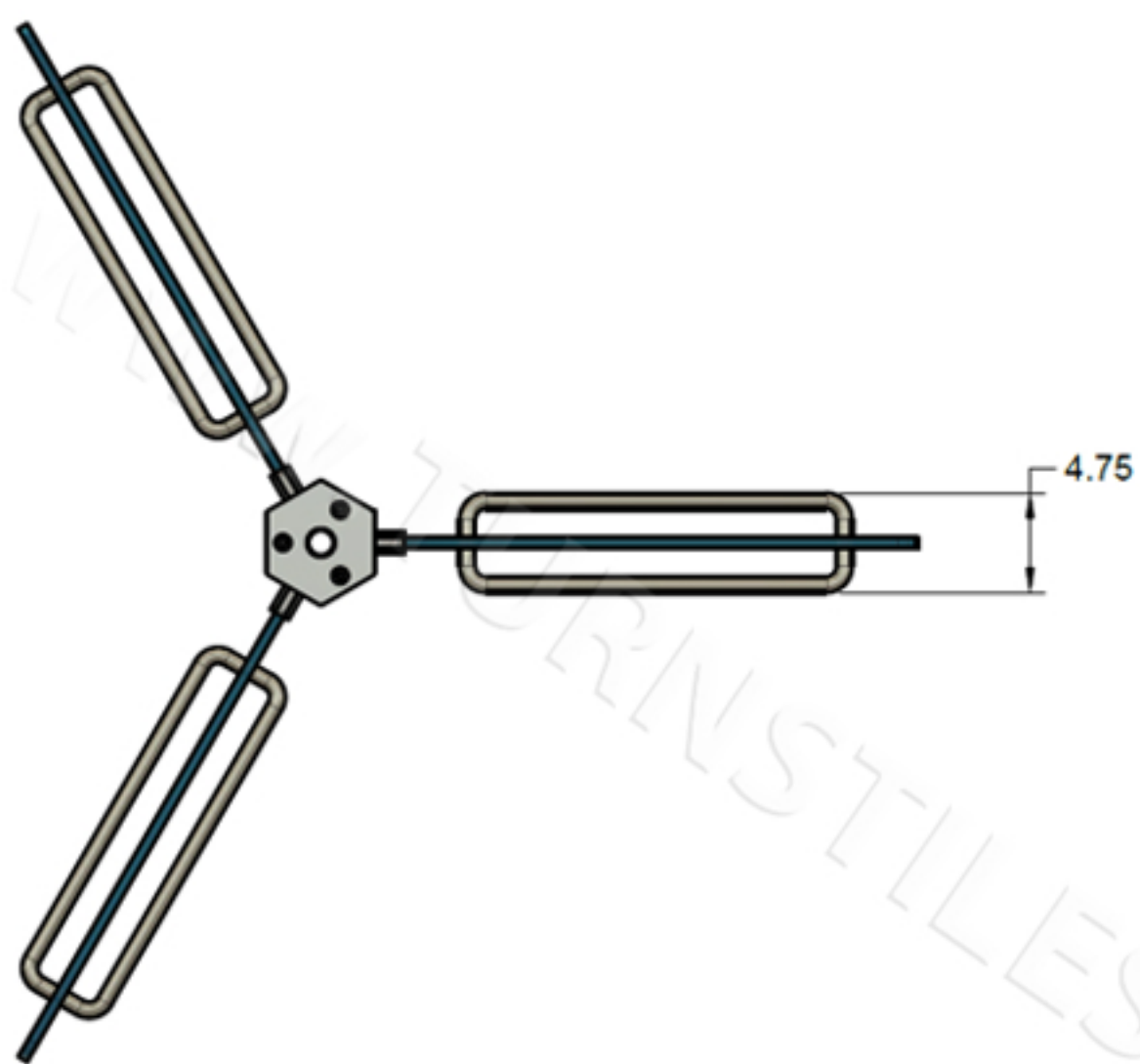
2

3

4

FIRST DRAWN	BY
01/08/2024	JM
REVISED	BY

**COPYRIGHT © TURNSTILES.US**  
 Copyright © Turnstiles.us All rights reserved. Reproduction or translation of this work without the express written permission of TURNSTILES.us is unlawful and is an infringement of intellectual property belonging to TURNSTILES.us. All drawings and/or designs are restricted for use exclusively with a purchase, installation, and/or support from Turnstiles.us. Any other use of these materials is a violation of copyright law. Request for additional information should be addressed to the Legal Department, Turnstiles.us.



**TURNSTILES.US**  
 www.TURNSTILES.us  
 Call 303 670 1099 \* Text 303 918 9787  
 patrick.mcallister@turnstiles.us

www.TURNSTILES.us  
 AG30-TLX Rotor and Push Bar  
 Equipment Dimension Detail

DWG  
 AG30-TLX Rotor and Push Bar  
 Equipment Dimension Detail

DATE 01/08/2024

SHEET 1 OF 1

AUTHORIZED SIGNATURE: \_\_\_\_\_ DATE: \_\_\_/\_\_\_/\_\_\_

1

2

3

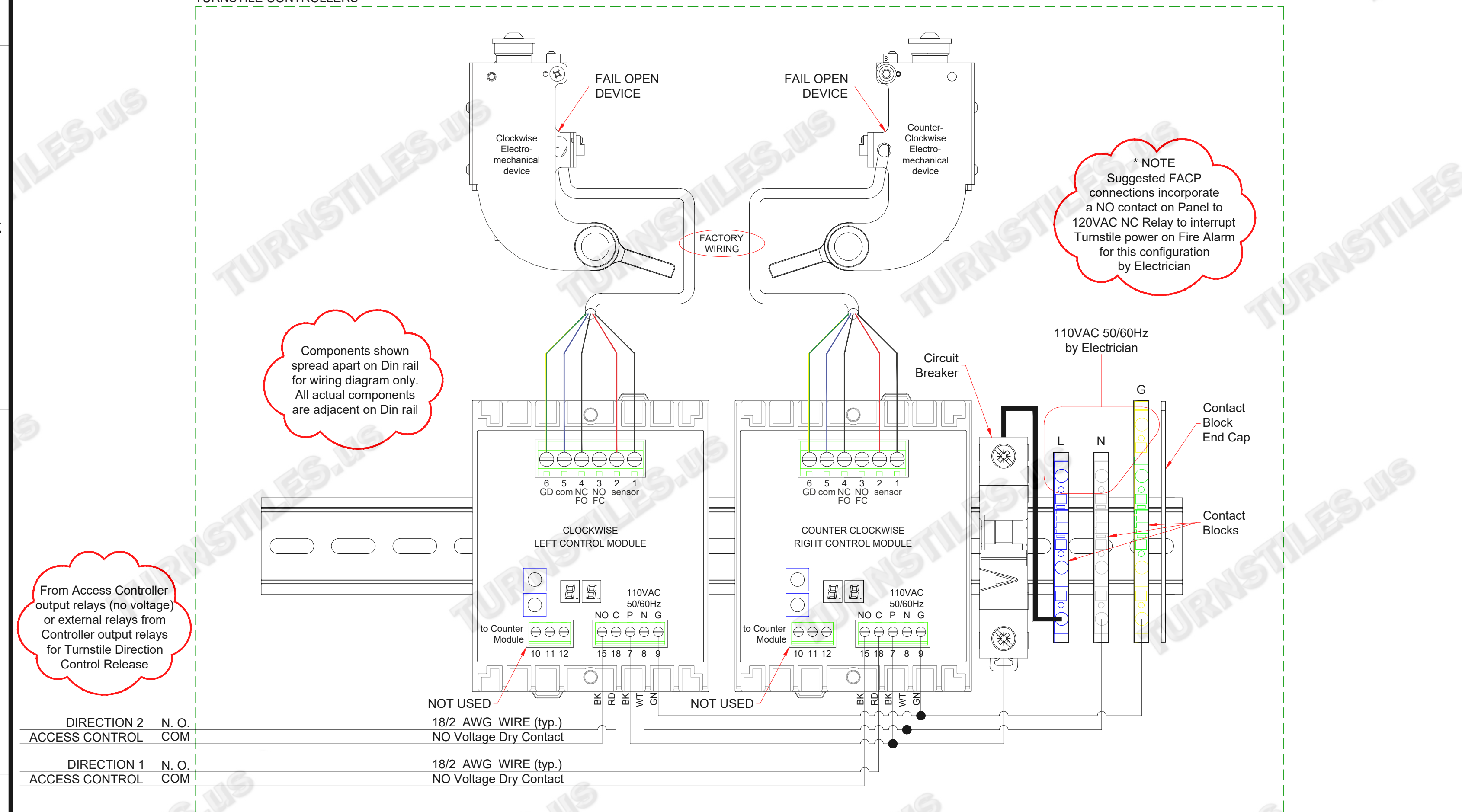
4

\* NON USER SERVICEABLE PARTS INSIDE - COLOR CODES & WIRE TYPE MAY VARY, CHANGES RESERVED - FACTORY WIRING TAMPERING COULD VOID WARRANTY \*

FIRST DRAWN	BY
07-17-20	CJC
REVISED	BY

**COPYRIGHT © TURNSTILES.US**  
 Copyright © Turnstiles.us All rights reserved. Reproduction or translation of this work without the express written permission of TURNSTILES.US is unlawful and is an infringement of intellectual property belonging to TURNSTILES.US.  
 All drawings and/or designs are restricted for use exclusively with a purchase, installation, and/or support from Turnstiles.us. Any other use of these materials is a violation of copyright law. Request for additional information should be addressed to the Legal Department, Turnstiles.us.

TURNSTILE CONTROLLERS



Components shown spread apart on Din rail for wiring diagram only. All actual components are adjacent on Din rail

From Access Controller output relays (no voltage) or external relays from Controller output relays for Turnstile Direction Control Release

\* NOTE  
 Suggested FACP connections incorporate a NO contact on Panel to 120VAC NC Relay to interrupt Turnstile power on Fire Alarm for this configuration by Electrician

**TURNSTILES.US**  
 www.TURNSTILES.us  
 Call 303 670 1099 \* Text 303 918 9787  
 patrick.mcallister@turnstiles.us

WIRING DIAGRAM	
AG SERIES FULL HEIGHT TURNSTILES TWO-WAY ELECTRIC CONTROL TYPICAL WIRING	
DWG	07-17-20 AG SERIES TWO-WAY ELECTRIC SCH
DATE	07-17-20
SHEET - 1 OF 1	

AUTHORIZED SIGNATURE: \_\_\_\_\_ DATE: \_\_\_ / \_\_\_ / \_\_\_

# Thank You!

**TURNSTILES.us**

## COMPANY BRIEF

www.TURNSTILES.us, Inc.  
Small Business

CAGE: 36SD8  
GSA: GS 07F 9239S  
DUNS: 181428611  
NAICS: 238990  
SIC: 1799

8641 S. Warhawk Rd.  
Conifer, CO 80433

Main: 303-569-6776  
Direct: 303-670-1099  
Patrick.McAllister@TURNSTILES.us  
www.TURNSTILES.us

TURNSTILES.us is a professional organization specializing in the physical and electronic securing of building entrances with Turnstiles, Mantraps, EntraPASS Access Control Hardware, and Software since 1989. We are a U.S. Federal Government Contract Holder and are registered with the U.S. Federal Government System for Award Management.

TURNSTILES.us headquarters is located in the Rocky Mountain Region of Colorado. Our team of engineers and sales professionals are strategically located across the United States to enable us to address our clientele. Our expert project team offers turnkey solutions for commercial public sector and private markets including access control system analysis, design, installation, and implementation, and raises the bar for the highest standards in the turnstile security industry.

