

Installation Guide

mTS1000 Series Tripod Turnstile

Version: 1.0

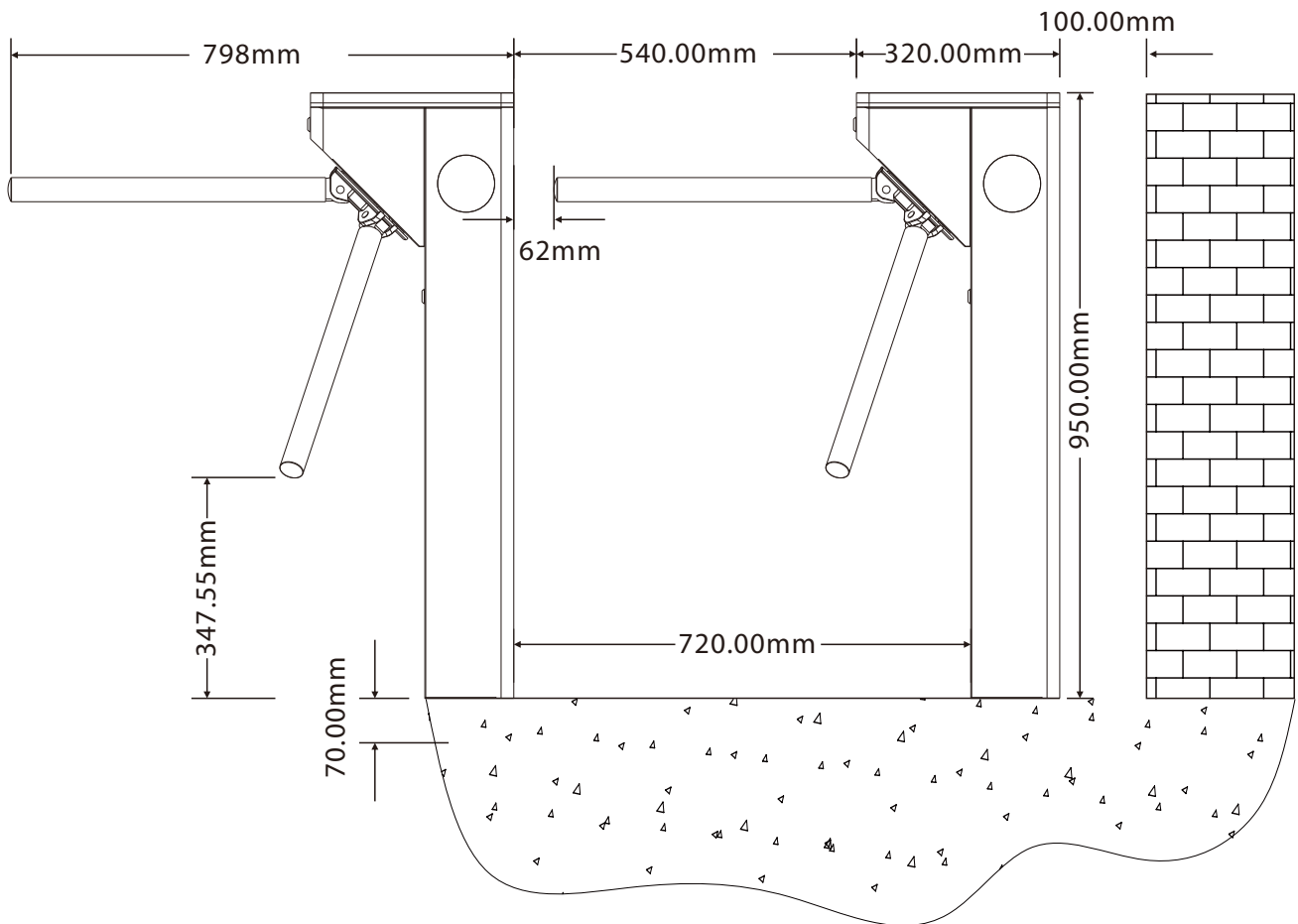
Due to regular upgrades of systems and products, manufacturer could not guarantee exact consistency between the actual product and the written information in this manual.

1 Installation Requirements

1. It is recommended that the tripod turnstile must be installed on a horizontal solid platform with a height of 50mm to 100mm.
2. It is also recommended that the tripod turnstile should not be used in the corrosive environment.
3. Make sure the ground wire of the system is reliably connected to avoid personal injuries or other accidents.
4. After installation, check if the connection has been done correctly at the connecting points of the ground wire, at the connector assemblies and wiring points of the circuits, as well as at each movable part of the tripod turnstile. Any loose nuts, screws and other fasteners should be tightened in time to avoid any failures caused by long-time operations.

2 Installation Environment

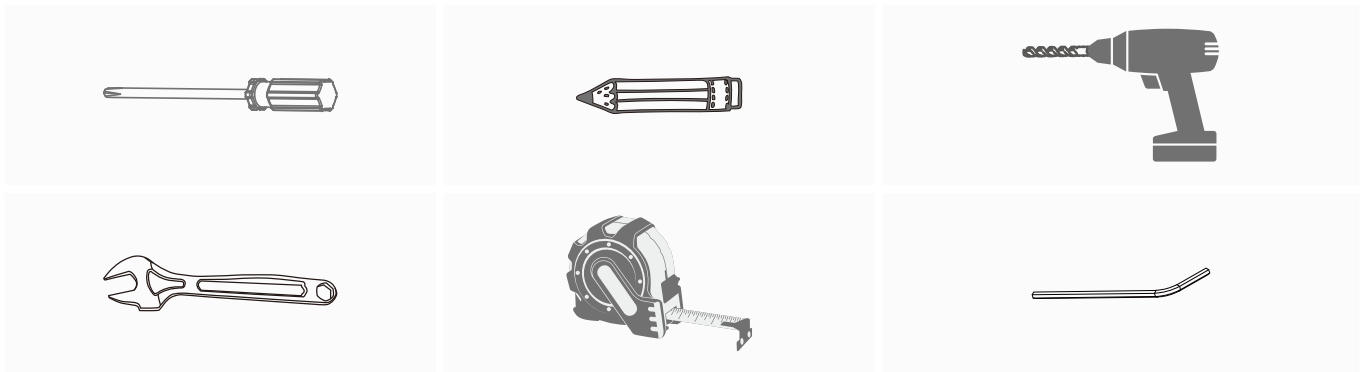
The installation position of the tripod turnstile depends on its size. A distance of 100mm between the tripod turnstile and the wall needs to be reserved for ease of opening the top lid of the turnstile to perform maintenance and adjustment. The reference figure is shown below:



3 Preparation

To install the mTS1000 you must have:

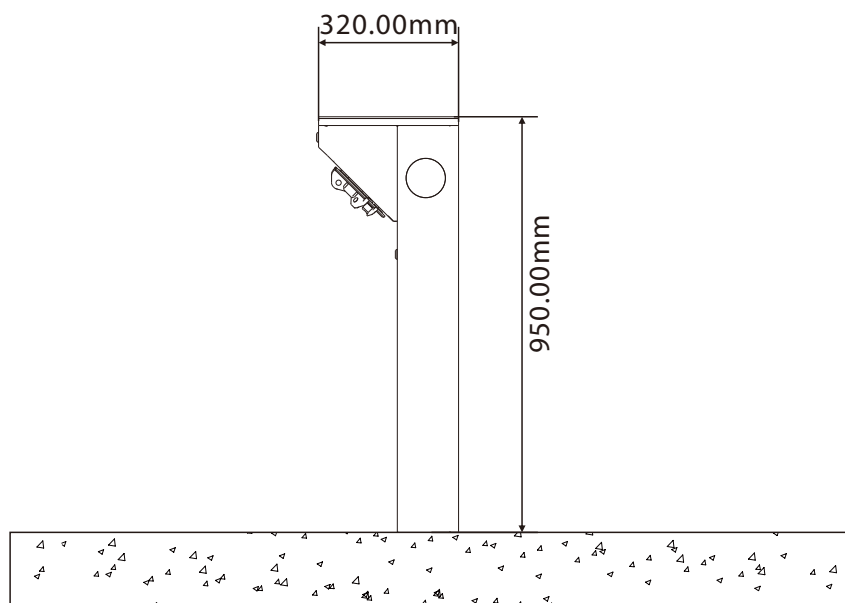
- **A Screwdriver:** To remove or install the screw on the device.
- **A Pencil:** To mark the device size and the screw hole.
- **A Electric Drill:** To drill holes in accordance to the marked screw holes.
- **A Wrench:** To secure the M12 expansion screw on the device.
- **A Tapeline:** To measure the dimensions that need to be measured during the installation of the device.
- **A Hex Wrench:** To remove or install the screw on the device.



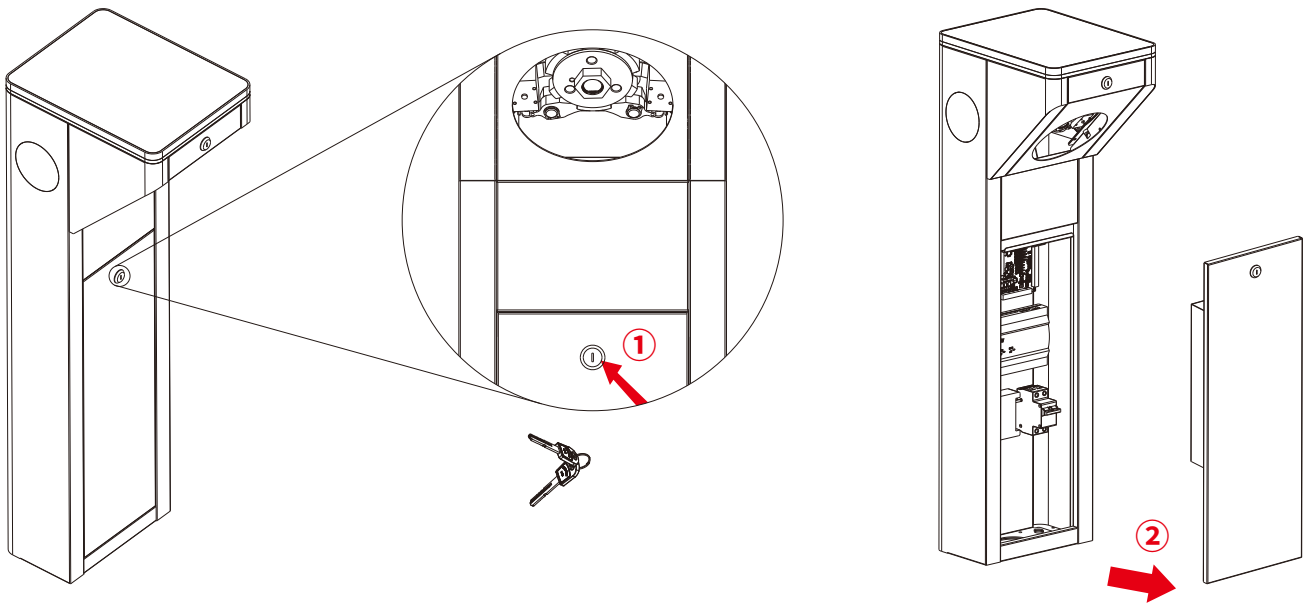
Note: Except for the hex wrench, all other tools should be prepared on your own.

4 Installation

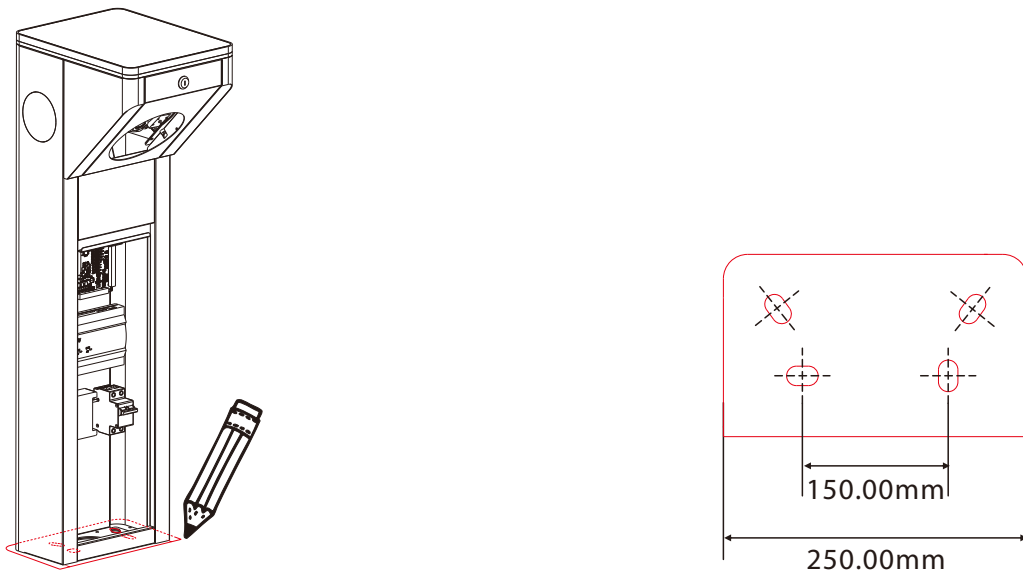
1. Place the turnstile to the installation site.



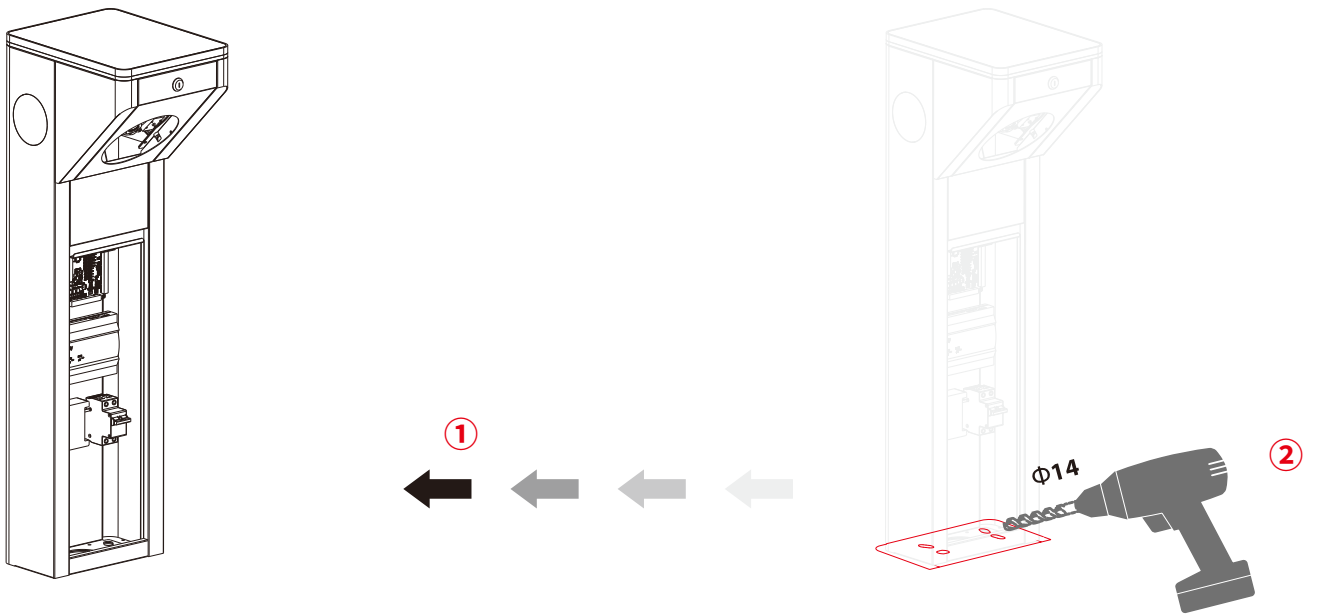
- Use the key to open the chassis of the turnstile and remove the chassis cover.



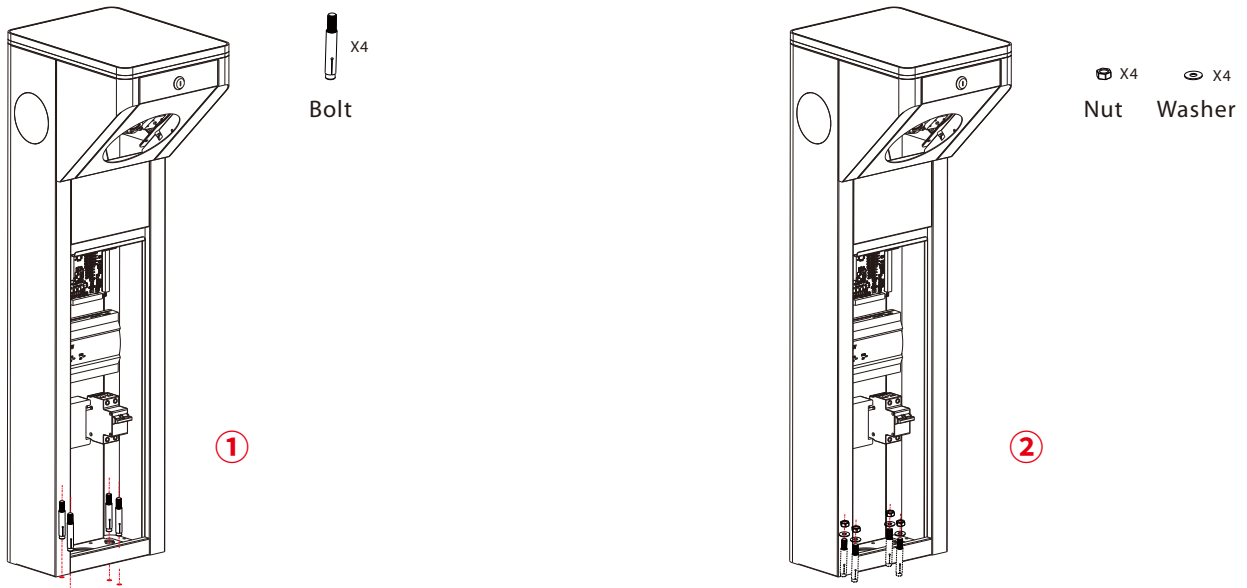
- Mark on the turnstile with a pencil according to the holes.



- Remove the turnstile and use a electric drill to drill holes according to the marks.

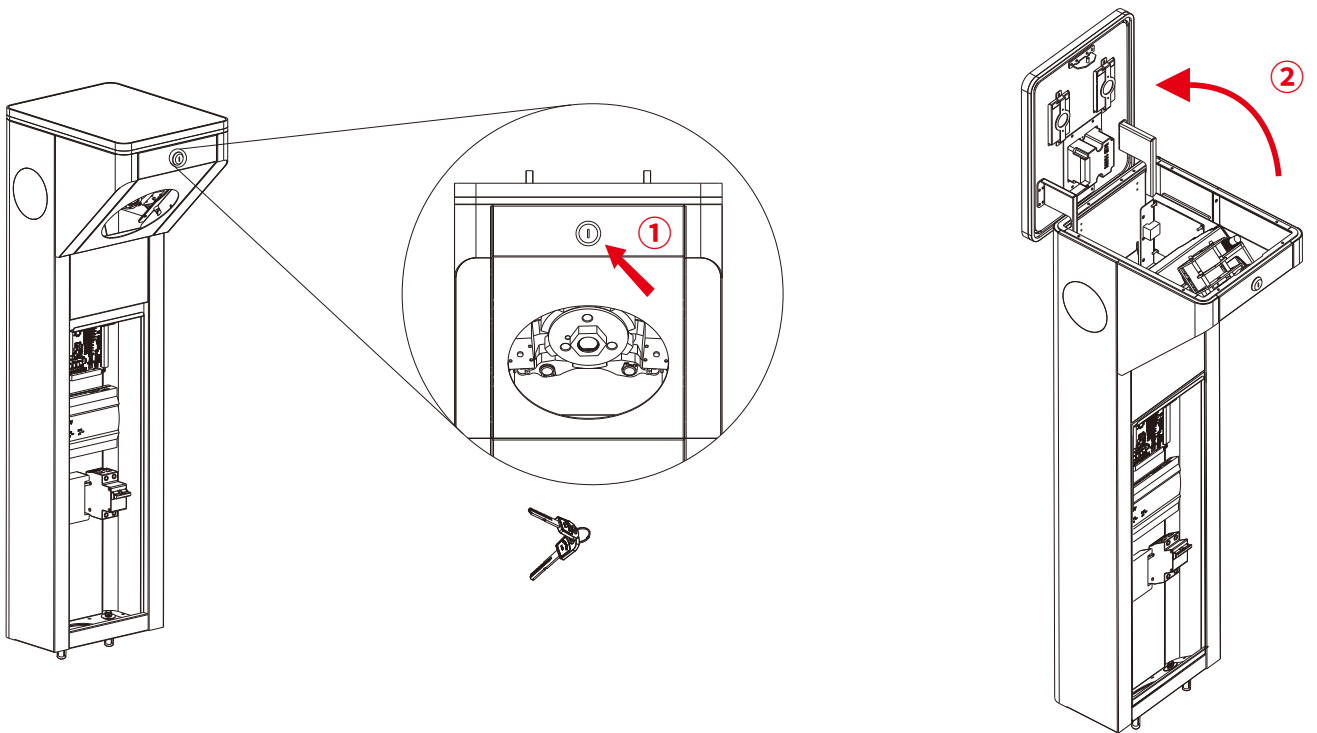


- Clean up the fragments and dust after drilling, then place the turnstile on the installation site again. Check whether the drilled holes corresponds to the mark on the turnstile.
- Align the device with the drilled holes. Then, insert the bolts accordingly and fix them with a wrench. Finally, insert the washer and nut, tighten it with a wrench.

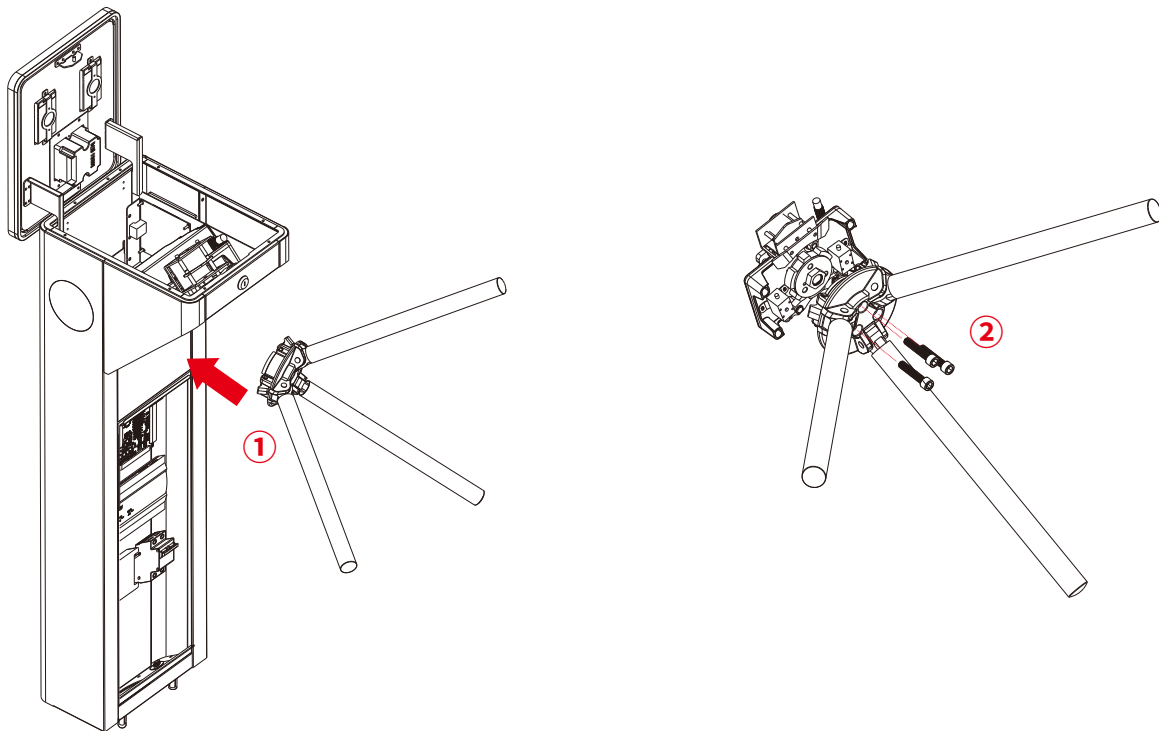


Note: Before inserting the bolt, the user must pull the power cable and Ethernet from the machines and put them into the wire slot.

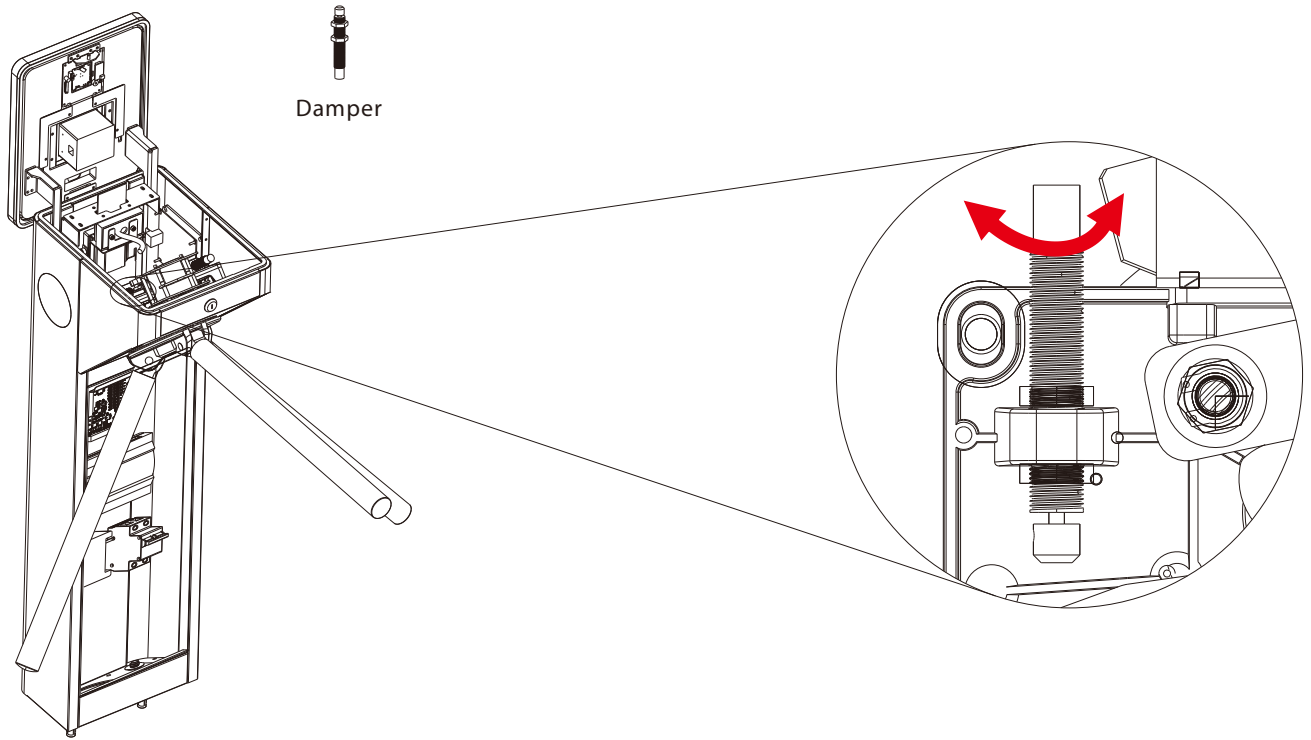
7. Use the key to open the top lid of the turnstile.



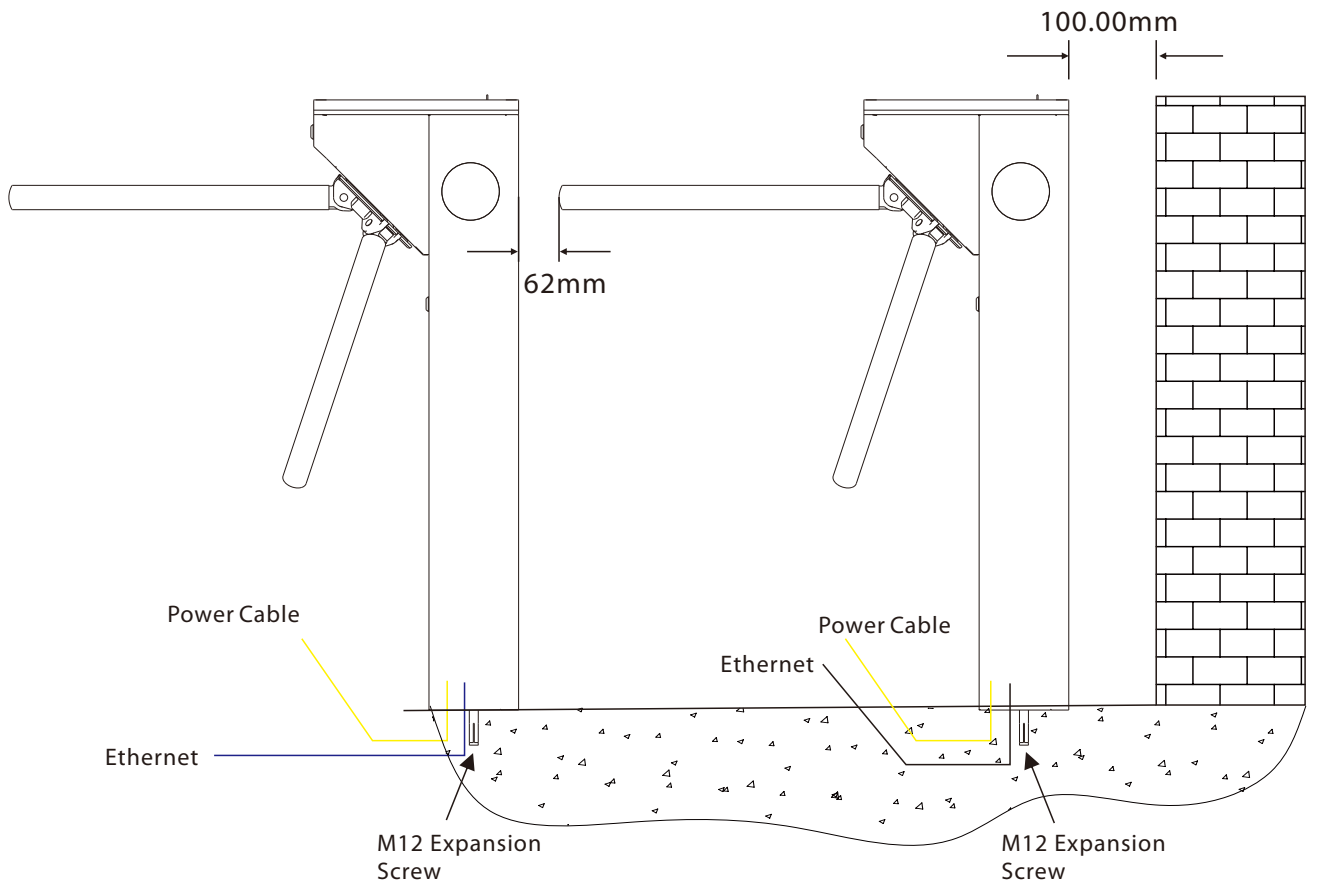
8. Align the arm assembly with the assembly inside the chassis, and then secure it with screws.



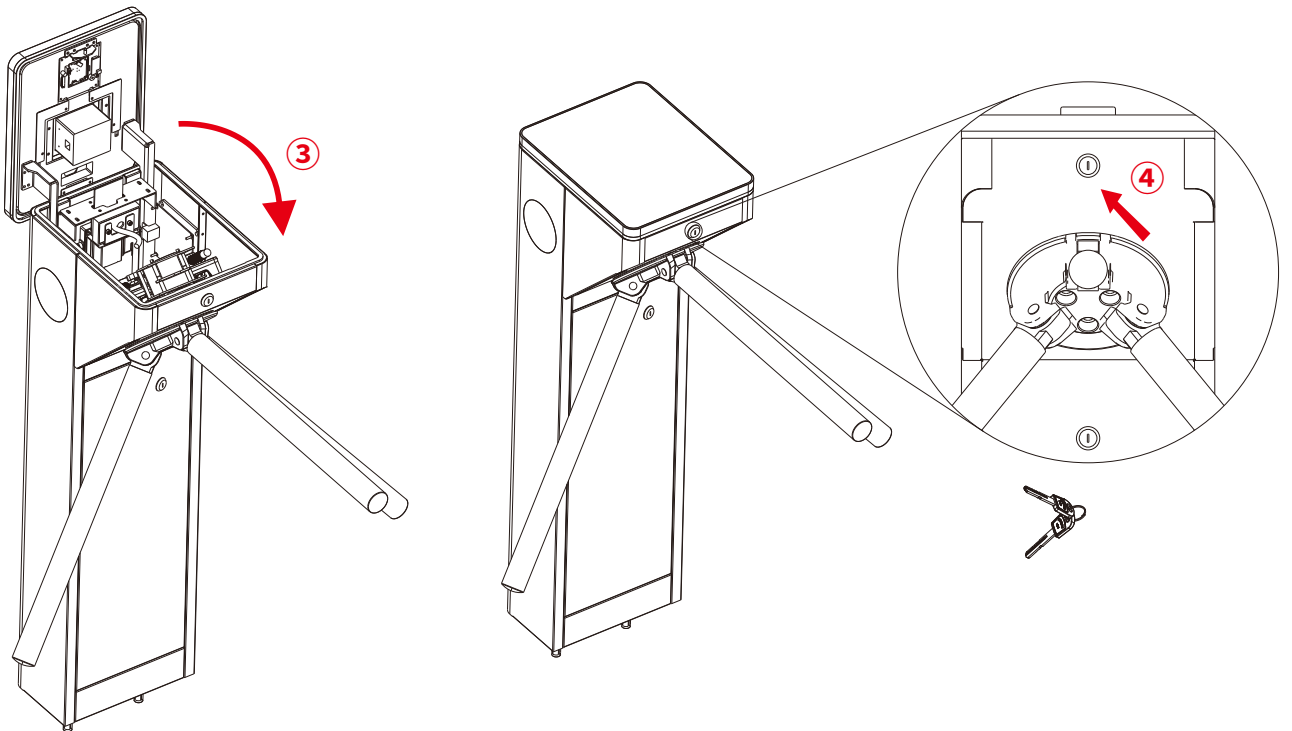
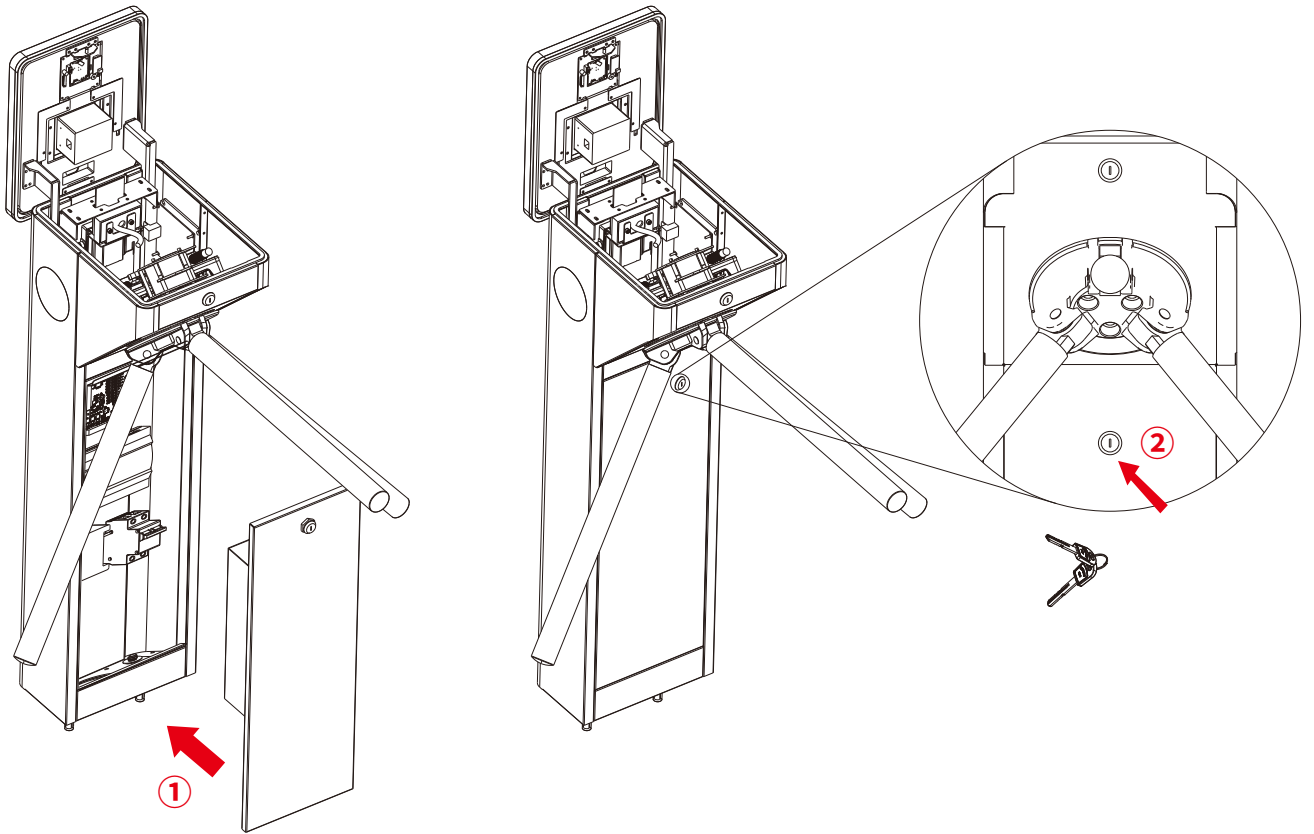
9. After assembling the arm, the resistance of the arm can be adjusted by rotating the damper left and right. Rotate the damper and observe the number on the damper. The greater the number it is, the larger the resistance will be.



10. Connect the online cables and perform the power-on test. If it passes the test, install the chassis cover.



11. Install the chassis cover and close the top lid, then lock it with the key.



12. We suggest marking a warning line on the floor to remind the user when installation complete. It reminds user to wait outside the warning line until the previous user complete the verification and leave the turnstile.

