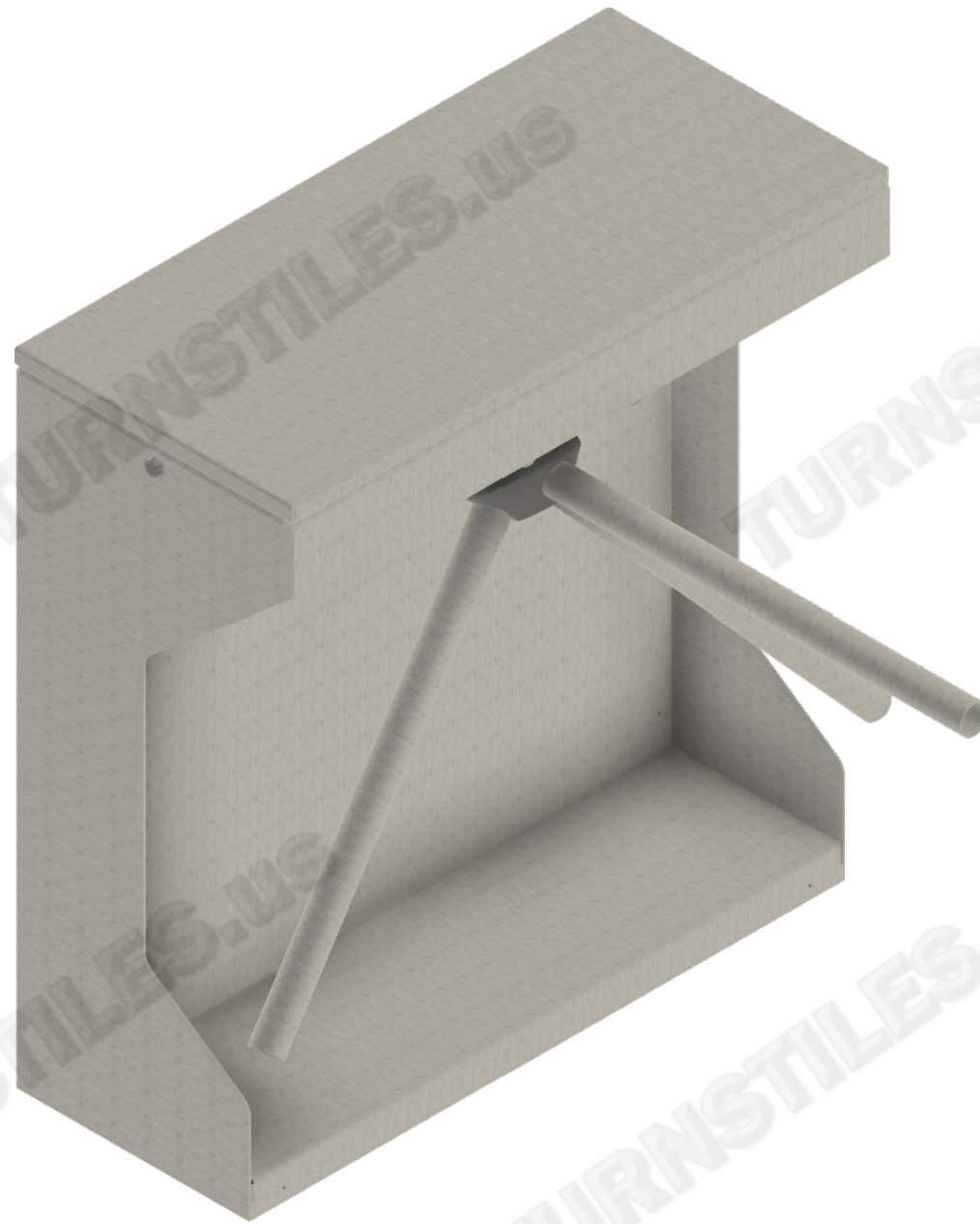
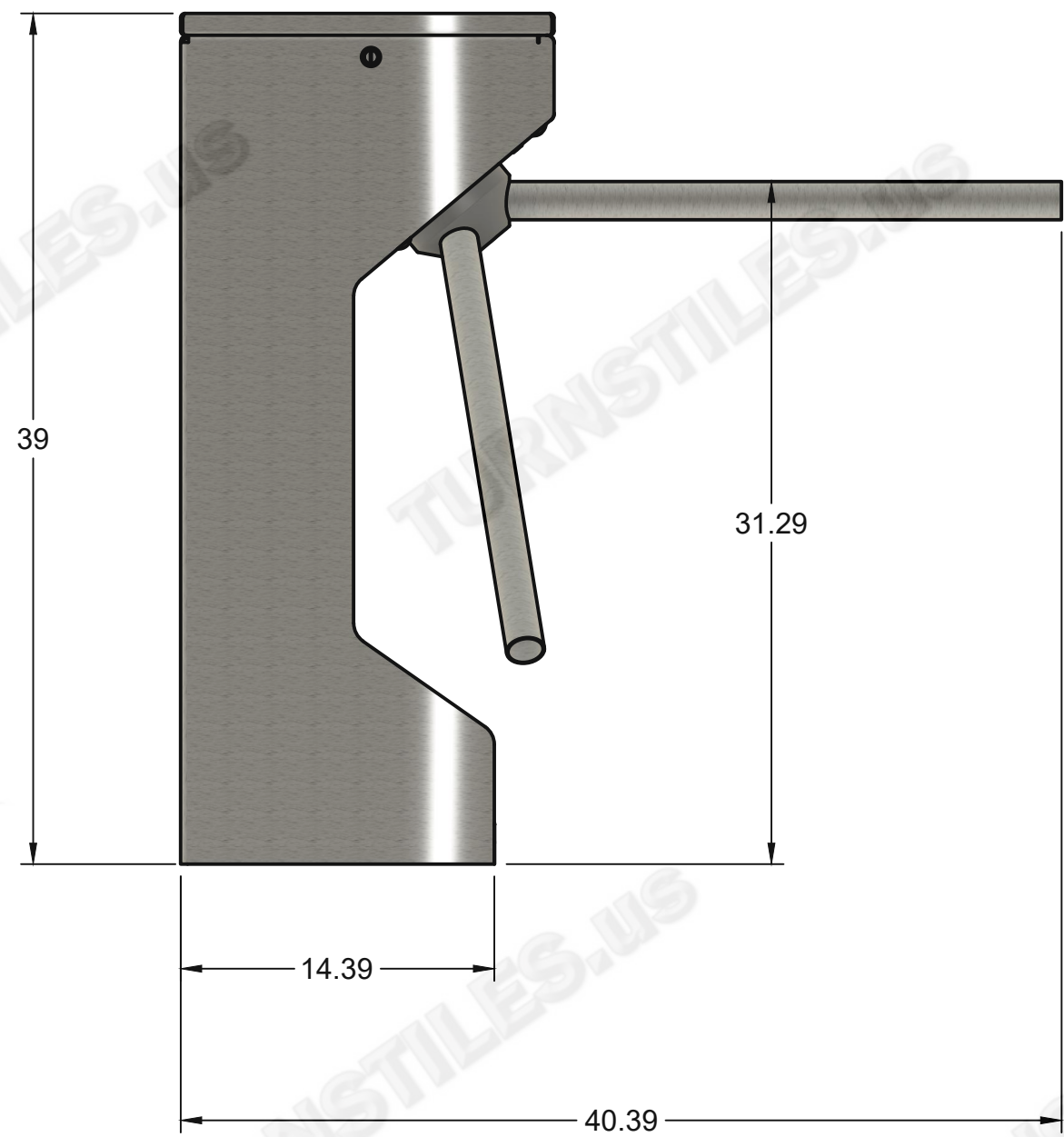
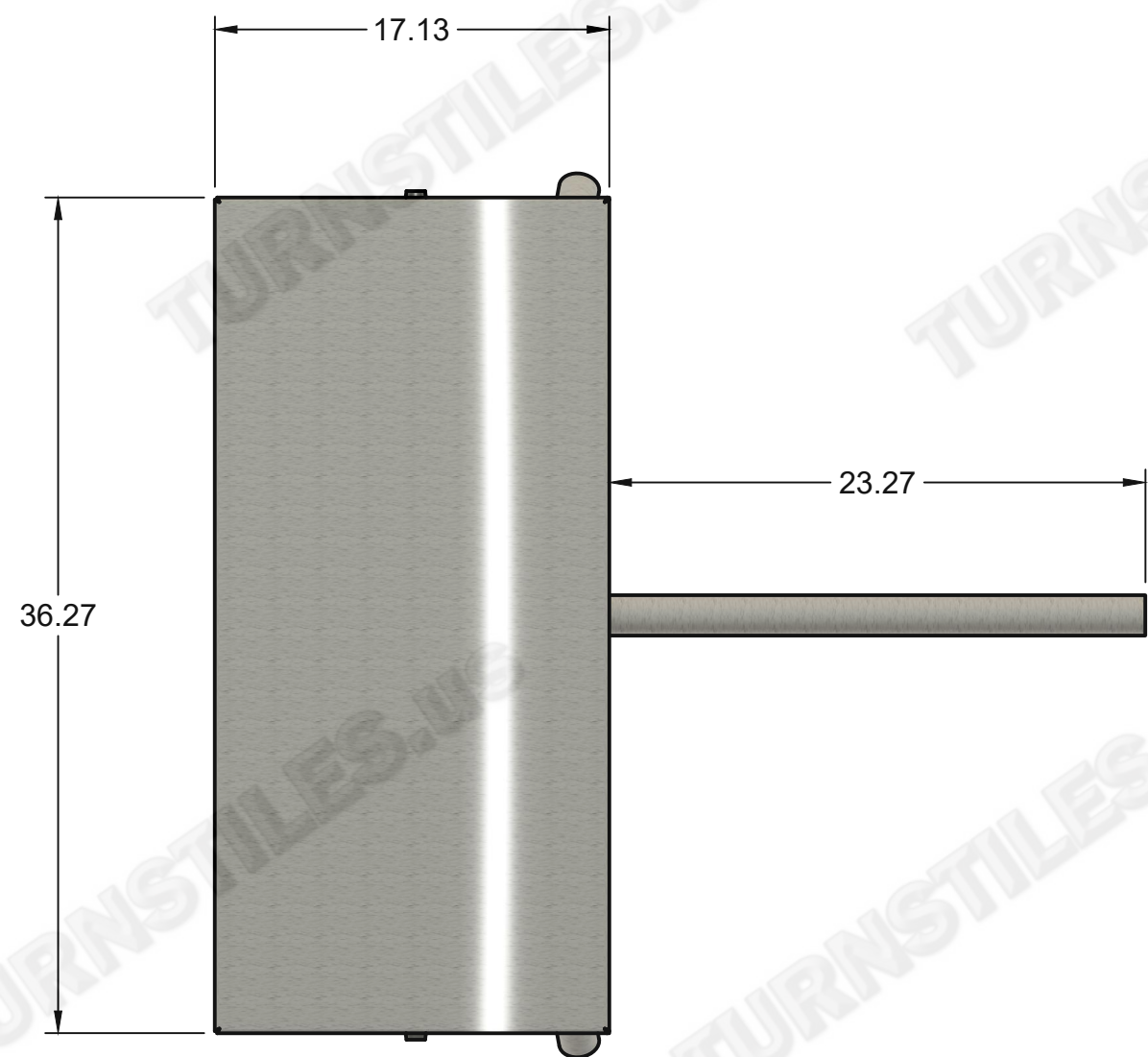


\* DIMENSIONS MAY VARY IN ACTUAL INSTALLATION - FABRICATION CHANGES RESERVED - SIMILAR EQUIPMENT MAY BE SUBSTITUTED \*



FIRST DRAWN	BY
12-15-22	JM
REVISED	BY

**COPYRIGHT © TURNSTILES.US**  
 Copyright © Turnstiles.us All rights reserved. Reproduction or translation of this work without the express written permission of TURNSTILES.US is unlawful and is an infringement of intellectual property belonging to TURNSTILES.US.  
 All drawings and/or designs are restricted for use exclusively with a purchase, installation, and/or support from Turnstiles.us. Any other use of these materials is a violation of copyright law. Request for additional information should be addressed to the Legal Department, Turnstiles.us.

**TURNSTILES.US**  
 www.TURNSTILES.us  
 Call 303 670 1099 \* Text 303 918 9787  
 patrick.mcallister@turnstiles.us

Equipment Detail and Dimensions	
FCI Oxford, WI Custom Tripod Turnstile Detail and Dimensions	
DWG	12-20-22 FCI Oxford, WI AG-Tripod Turnstile
DATE	12-20-22
SHEET - 1 OF 1	

AUTHORIZED SIGNATURE: \_\_\_\_\_ DATE: \_\_\_ / \_\_\_ / \_\_\_